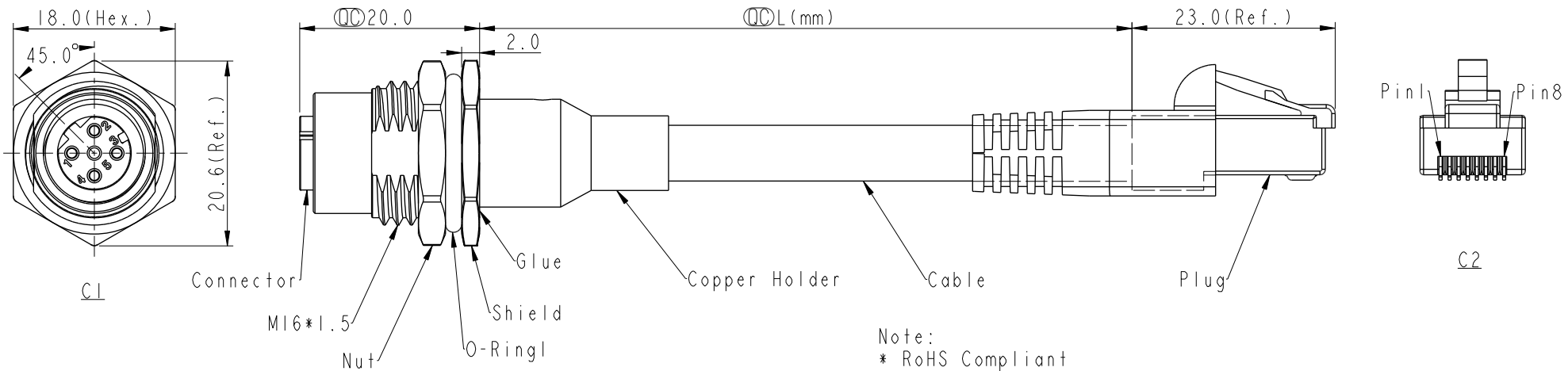


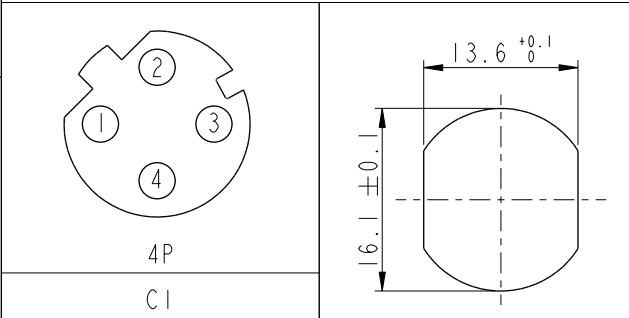
THIS DOCUMENT IS SUBJECT TO CHANGE WITHOUT NOTICE. IT IS CONFIDENTIAL AND A PROPERTY OF AMPHENOL LTW. DISCLOSURE TO THIRD PARTY HAS TO BE AUTHORIZED BY AMPHENOL LTW.

REV.	ECN NO.	DATE	SIGN	DESCRIPTION
A		2022-06-22	Jiahe Lin	Rev.01 To Rev.A
B	C221046	2022-07-10	Allen Pan	$\triangle B \times I$

MSDS-XXPFFJ-SF8CXX  
 XX: No. Of Pin  
 XX:L=0~5Meters  
 A5:L=0.5Meters  
 01:L=1Meters  
 02:L=2Meters  
 ...  
 05:L=5Meters



- Note:
- \* RoHS Compliant
  - \*  $\odot$  Important Dimension
  - \* C1  
 Waterproof Rate: IPX8, Unmated 1m/24h  
 Housing: Thermoplastic, Black  
 Pin: Copper Alloy, Gold plated  
 O-Ring1: Rubber, Black  
 O-Ring2: Rubber, Green  
 Shield: Metal  
 Nut: Metal
  - \* C2  
 Waterproof Rate: Non-Waterproof  
 Plug: RJ45, Shielded
  - \* For panel thickness max: 4.5mm
  - \* Nut is packed separately in pe bag
  - \*  $\triangle B$  Cable: CAT-5E, 22#\*2P+AL/MY+D, OD=6.2mm, PU Jacket, Black
  - \* Cable length tolerance: 0.5M < L ≤ 1M: +60/-0 mm  
 1M < L ≤ 3M: +120/-0 mm  
 3M < L ≤ 5M: +160/-0 mm



Pin Assignment Front View      Recommended Panel Cut-Out

UNIT:mm		TITLE N SEN, M12 D -SHLD, SCREW RECEPTACLE, F, F, RJ PLUG
TOLERANCE .X ±0.25 .XX ±0.1 .XXX ±0.05 ANGLES ±1°	SCALE 2:1	SIZE A4
	REV. B	SHEET 1 OF 2
	WC-REV.	$\odot$ : Inspection item

**Amphenol LTW**  
 安費諾亮泰企業股份有限公司

ITEM NO.	DRAWN BY Jiahe Lin	DATE 2022-06-22
DWG NO. MSDS-XXPFFJ-SF8CXX	CHECKED BY Allen Pan	DATE 2022-06-22
CUSTOMER ALTW	APPROVED BY Fred Lee	DATE 2022-06-22

THIS DOCUMENT IS SUBJECT TO CHANGE WITHOUT NOTICE. IT IS CONFIDENTIAL AND A PROPERTY OF Amphenol LTW. DISCLOSURE TO THIRD PARTY HAS TO BE AUTHORIZED BY Amphenol LTW.

	2	3	4	5	6	7	8
F							
E							
D							
C							
B	Shield	Drain	地線	Shield			
	4	Green	綠	6	Twist		
	2	White/Green	白/綠	3	Twist		
	3	Orange	橘	2	Twist		
	1	White/Orange	白/橘	1			
	C1	Wire Color		C2			
	Pin Out						
A	UNIT:mm		TITLE N SEN, M12 D -SHLD, SCREW RECEPTACLE, F, F, RJ PLUG		ITEM NO		DATE
	TOLERANCE .X ±0.25 .XX ±0.1 .XXX ±0.05 ANGLES ±1°		SCALE 1:1	SIZE A4	SHEET 2 OF 2	DRAWN BY Jiahe Lin	2022-06-22
			REV. B	WC-REV.	QC: Inspection item	CHECKED BY Allen Pan	DATE 2022-06-22
						APPROVED BY Fred Lee	DATE 2022-06-22
					CUSTOMER ALTW		
							8 W10814-03-001A2

**Amphenol LTW**  
安費諾亮泰企業股份有限公司