

This document is the property of Amphenol Corporation and is delivered on the express condition that it is not to be disclosed, reproduced or used, in whole or in part, for manufacture or sale by anyone other than Amphenol Corporation without its prior consent, & that no right is granted to disclose or to use any information in this document.

CUSTOMER DRAWING

REVISIONS

SYM	ECN	DESCRIPTION	DATE	APPROVED
1	CDXXXX	PRELIMINARY PROPOSAL	Jun.14,2018	YH
2	CDXXXX	REVISE THE PCB THICKNESS TOLERANCE AND PAD TRUE POSITION	Aug.16,2018	YH
3	CDXXXX	REVISE THE DRAWING	Sep.01,2018	YH
4	CDXXXX	ADD DIMENSION OF PCB LAYOUT	Sep.04,2018	YH
5	CD1598	UPDATED BY SFF TA 1002 REV 1.1.3	Nov.25,2018	YH
6	CDXXXX	ADD PACKING	Jul.14,2019	YH
7	CD1856	STANDARDIZE THE WAFER CONSTRUCTURE	Sep.24,2019	YH

D

D

C

C

B

B

A

A

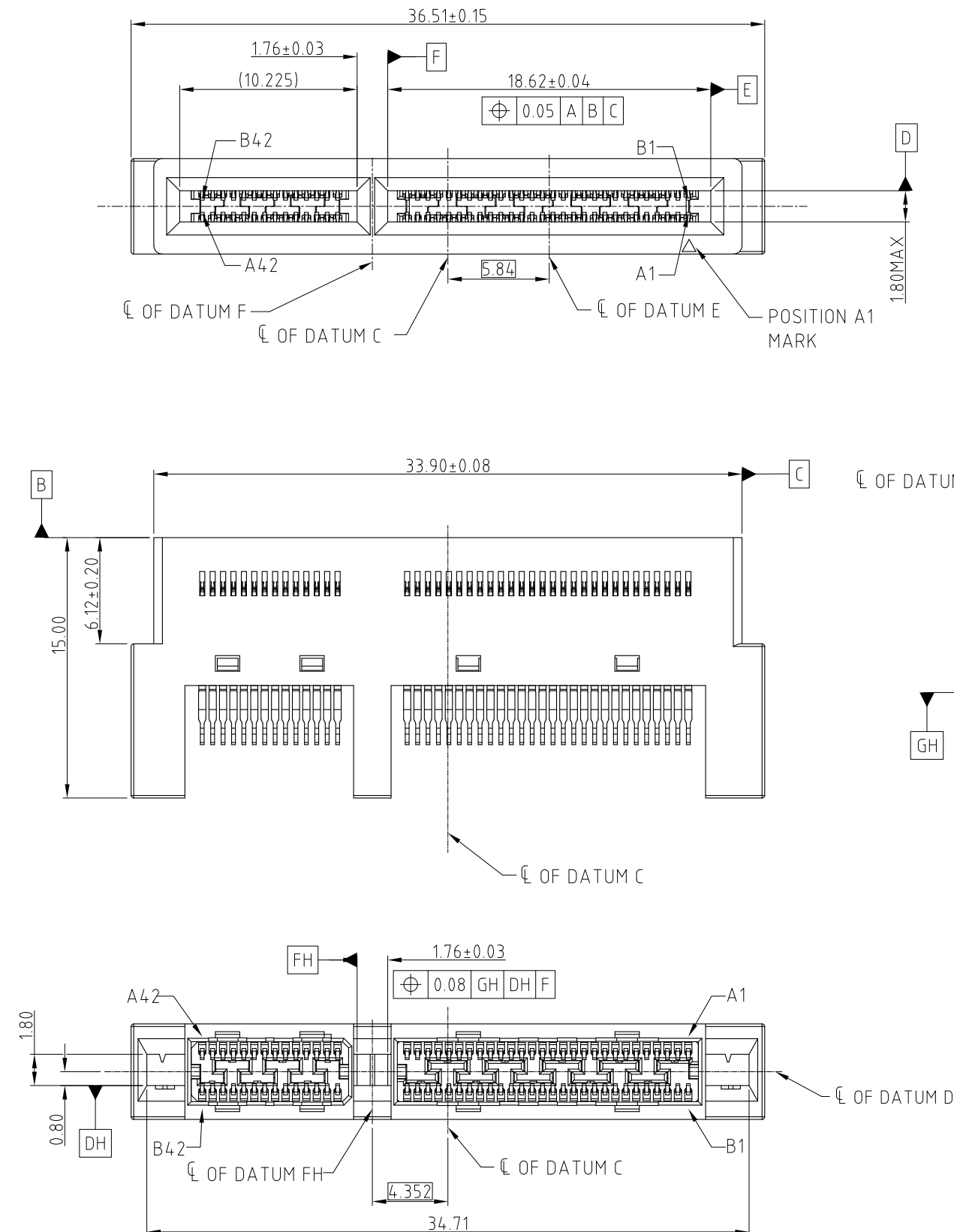


NOTE:

- MATERIAL:
HOUSING: HIGH TEMPERATURE THERMOPLASTIC BLACK UL94-V0
CONTACT: COPPER ALLOY
BOARD LOCK: COPPER ALLOY
- PLATING:
CONTACT: MATING AREA: Au THICKNESS PLEASE REFER TO P/N SYSTEM
OVER 1.27-2.54 μm NICKEL UNDERPLATED
SOLDER AREA: 1.27 μm MIN TIN OVER 1.27-2.54 μm NICKEL UNDERPLATED
BOARD LOCK: 1.27 μm MIN TIN OVER 1.27-2.54 μm NICKEL UNDERPLATED
- ELECTRICAL PERFORMANCE:
RATED CURRENT: 1.1A/PIN UP TO 12PINS
LLCR: 30mΩ MAX, DELTA 15 mΩ
INSULATION RESISTANCE: 1000MΩ MIN
- DURABILITY: 200 CYCLES.
- MATERIAL SHOULD BE FULFILLED AMPHENOL SPEC#S-SN-002 AND S-SN-004
- ORDERING PN SYSTEM MET00843140110X

- PLATING SPEC
- 0.76um Au
 - 0.38um Au
 - GOLD FLASH
 - PdNi 0.76um+G/F

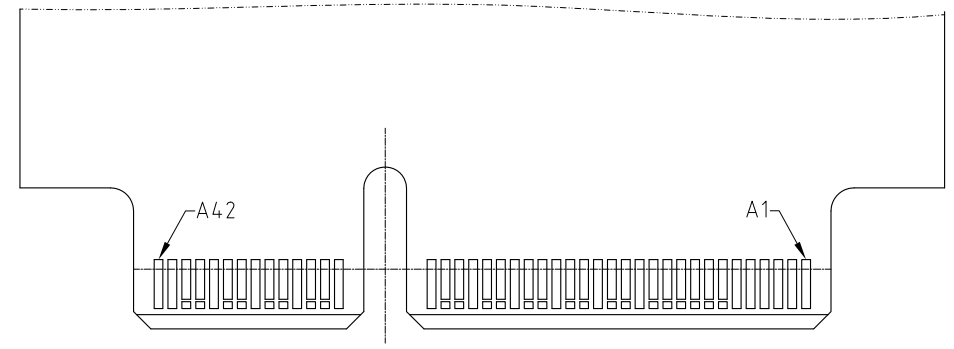
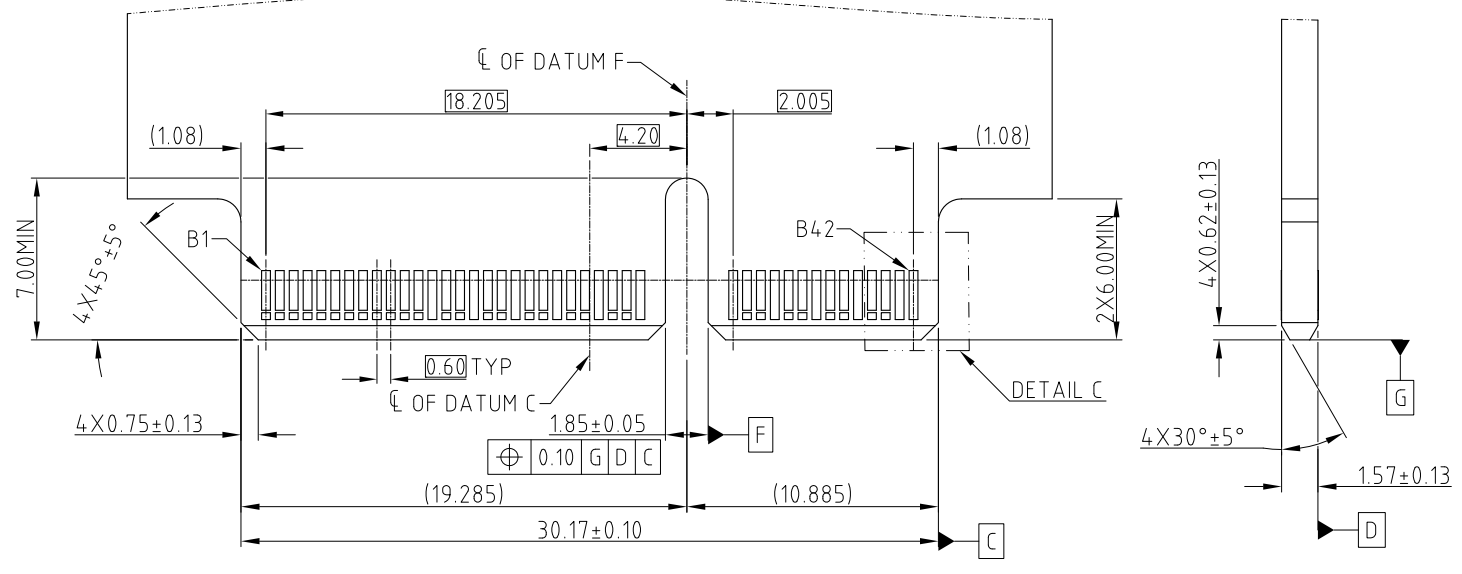
UNLESS OTHERWISE SPECIFIED TOLERANCES U.S. METRIC .X +/- 0.25 .XX +/- 0.20 .XXX +/- 0.15 FRACTIONS +/- 5° ANGLES +/- FOR MATERIALS AND FINISHES SEE NOTES REMOVE SHARP EDGES DIMENSIONS —U.S.— INCHES (METRIC) (mm)	APPROVAL DRAWN Teng.Cao CHECKED Ly.Yi APPROVED		DATE Sep.24,2019 Sep.24,2019		Amphenol TITLE MINI COOL EDGE CONNECTOR 84P S/M MATE 1.57 HOST PCB SIZE DRAWING NO. REV. A3 C MET00843140110X 7 SCALE NONE SHEET 1 OF 3
	DRAWING FILE : INTERNAL\DRAWING\ME\C MET00843140110X		ANGLE OF PROJECTION 		
	DIMENSIONS —U.S.— INCHES (METRIC) (mm)				
	DIMENSIONS —U.S.— INCHES (METRIC) (mm)				



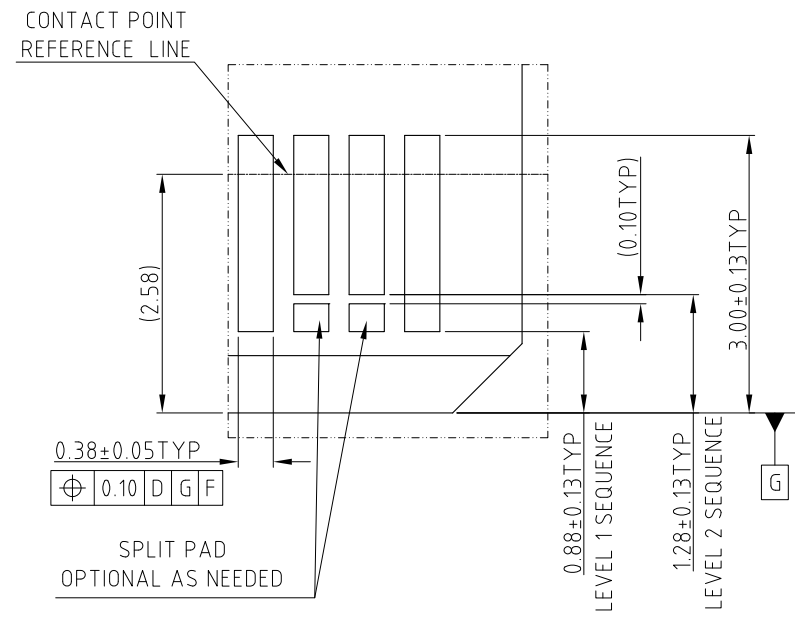
This document is the property of Amphenol Corporation and is delivered on the express condition that it is not to be disclosed, reproduced or used, in whole or in part, for manufacture or sale by anyone other than Amphenol Corporation without its prior consent, & that no right is granted to disclose or to use any information in this document.

CUSTOMER DRAWING

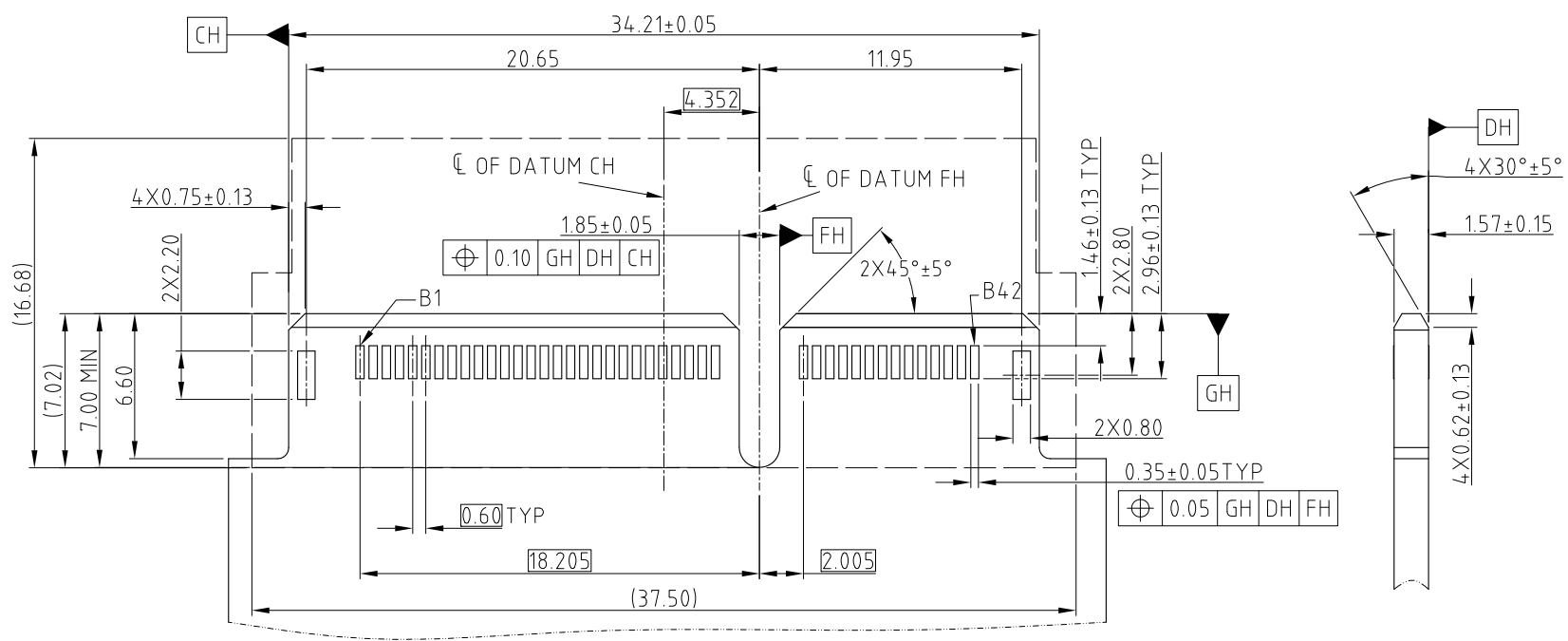
REVISIONS				
SYM	ECN	DESCRIPTION	DATE	APPROVED
		SEE SHEET 1		



RECOMMENDED AIC MATING CARD



DETAIL C SCALE 4:1



NOTE: POSITION A1 ON THE OPPOSITE SIDE OF CARD OF B1
84-PIN STRADDLE MOUNT FOOTPRINT
GENERAL TOLERANCE ±0.05MM

UNLESS OTHERWISE SPECIFIED TOLERANCES	
U.S.	METRIC
.X +/-	0.25
.XX +/-	0.20
.XXX +/-	0.15
FRACTIONS +/-	
ANGLES +/-	5°
FOR MATERIALS AND FINISHES SEE NOTES	
REMOVE SHARP EDGES	
DIMENSIONS	
—U.S.—	INCHES
(METRIC)	(mm)

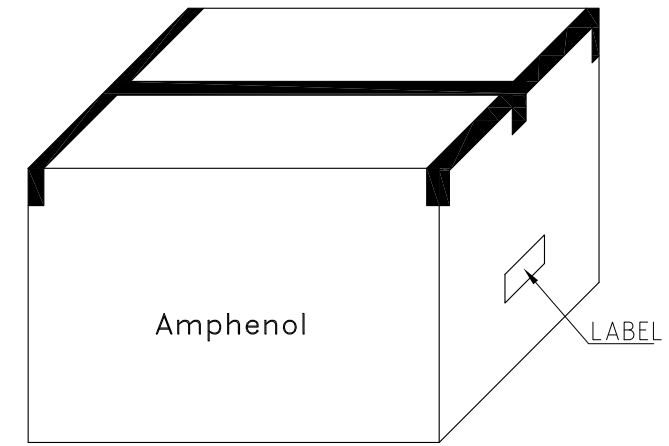
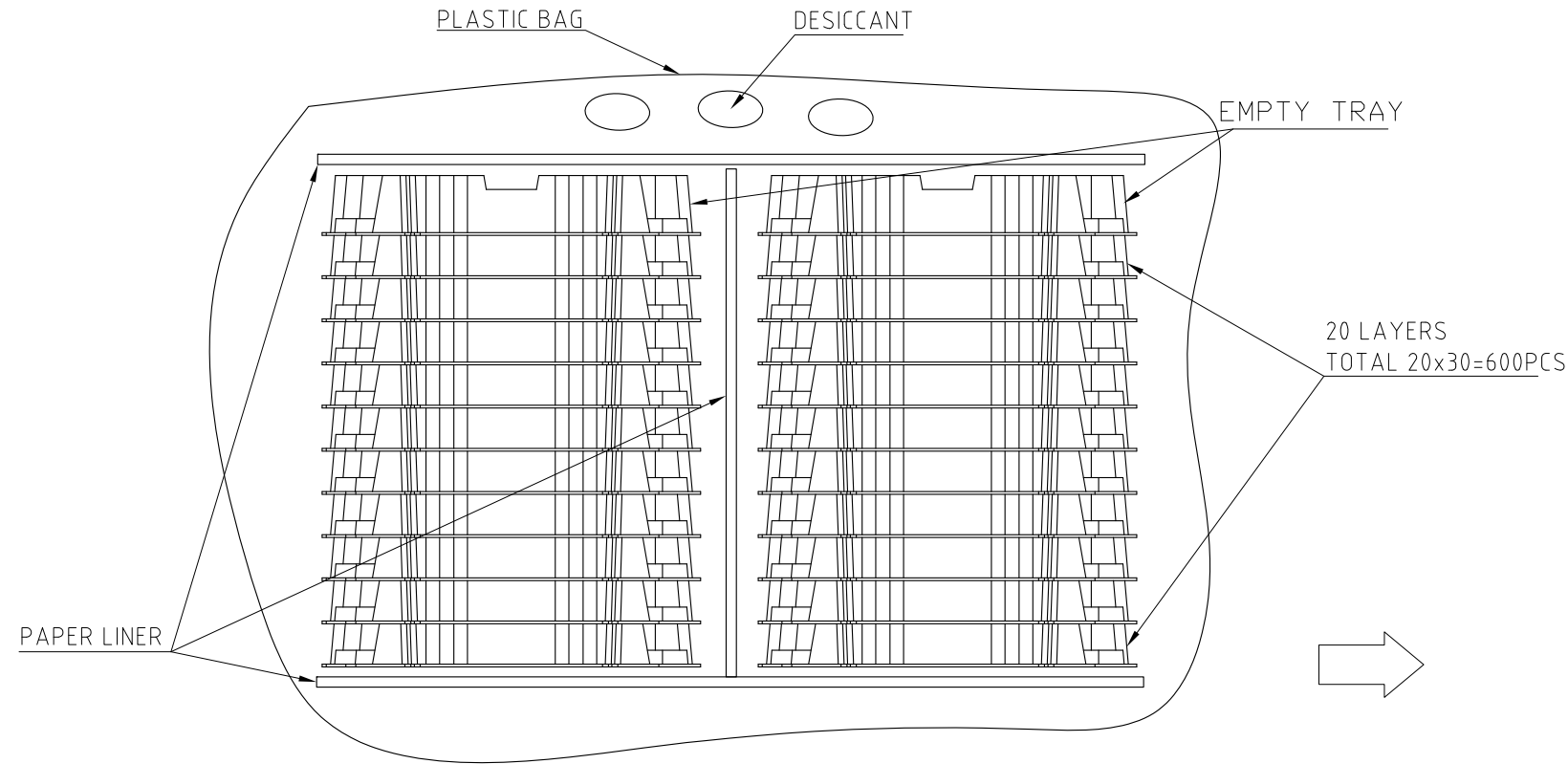
APPROVAL	DATE
DRAWN Teng.Cao	Sep.24,2019
CHECKED Ly.Yi	Sep.24,2019
APPROVED	
DRAWING FILE : INTERNAL\DRAWING\ME\C MET00843140110X	
ANGLE OF PROJECTION	

Amphenol		
TITLE		
MINI COOL EDGE CONNECTOR 84P S/M MATE 1.57 HOST PCB		
SIZE	DRAWING NO.	REV.
A3	C MET00843140110X	7
SCALE	NONE	SHEET 2 OF 3

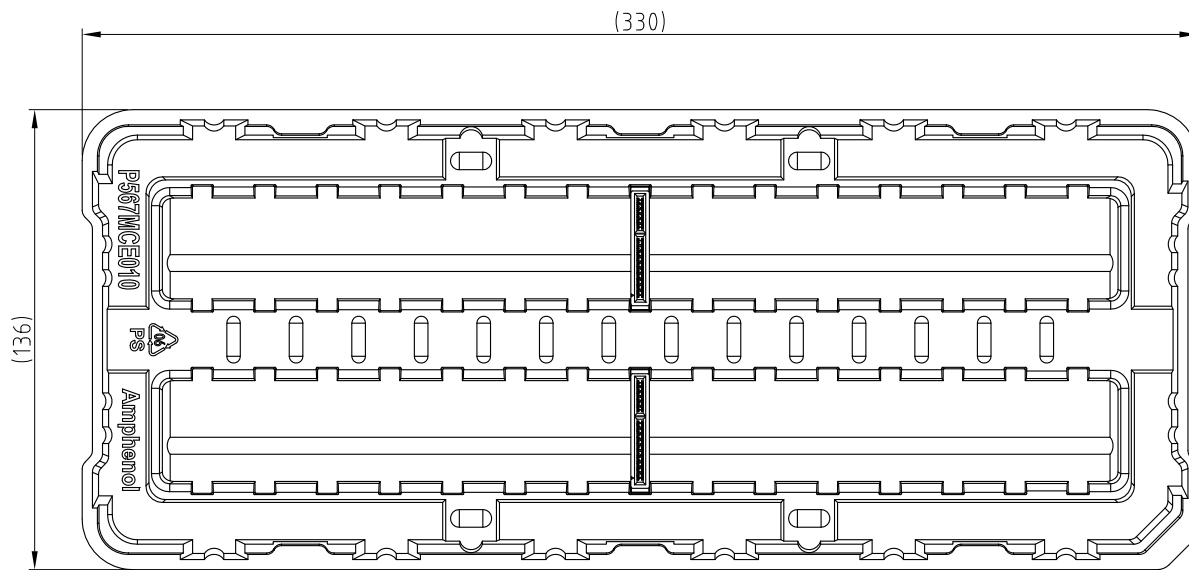
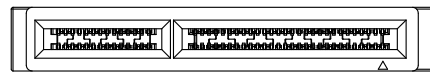
This document is the property of Amphenol Corporation and is delivered on the express condition that it is not to be disclosed, reproduced or used, in whole or in part, for manufacture or sale by anyone other than Amphenol Corporation without its prior consent, & that no right is granted to disclose or to use any information in this document.

CUSTOMER DRAWING

REVISIONS				
SYM	ECN	DESCRIPTION	DATE	APPROVED
		SEE SHEET 1		



30 CONNECTORS / TRAY



UNLESS OTHERWISE SPECIFIED TOLERANCES	
U.S.	METRIC
.X +/-	0.25
.XX +/-	0.20
.XXX +/-	0.15
FRACTIONS +/-	
ANGLES +/-	5°
FOR MATERIALS AND FINISHES SEE NOTES	
REMOVE SHARP EDGES	
DIMENSIONS	
—U.S.—	INCHES
(METRIC)	(mm)

APPROVAL	DATE
DRAWN Teng.Cao	Sep.24,2019
CHECKED Ly.Yi	Sep.24,2019
APPROVED	
DRAWING FILE :	
INTERNAL\DRAWING\ME\C MET00843140110X	
ANGLE OF PROJECTION	

Amphenol		
TITLE		
MINI COOL EDGE CONNECTOR 84P S/M MATE 1.57 HOST PCB		
SIZE	DRAWING NO.	REV.
A3	C MET00843140110X	7
SCALE	NONE	SHEET 3 OF 3