



Single-Ended Cordsets

#18 and #20 AWG yellow PVC cable – IEC color code
 Oil-resistant PVC jacket
 Low-resistance contact design with gold/palladium nickel plating

	3P	3P	4P	5P
FEMALE FACE VIEW				
COLOR CODE	1- green/yellow-gnd 2- brown 3- blue	1- black 2- brown 3- blue	1- black 2- blue 3- brown 4- white	1- black 2- blue 3- green/yellow-gnd 4- brown 5- white
VOLTAGE	300V AC/DC	300V AC/DC	300V AC/DC	300V AC/DC
CURRENT	10A	7A	5.6A	4A
CONDUCTOR	18 AWG	18 AWG	18 AWG	20 AWG

FEMALE	FIG	SINGLE-ENDED CORDSETS WITH #18 OR #20 AWG PVC CABLE 1 METER LONG			
STRAIGHT	1	103000A06M010	103000A05M010	104000A05M010	105000A07M010
90°	2	103001A06M010	103001A05M010	104001A05M010	105001A07M010
MATING RECEPTACLE*	5	1R3D06A25A120	1R3D06A16A120	1R4D06A16A120	1R5D06A25A120
MALE	FIG	SINGLE-ENDED CORDSETS WITH #18 OR #20 AWG PVC CABLE 1 METER LONG			
STRAIGHT	3	103002A06M010	103002A05M010	104002A05M010	105002A07M010
90°	4	103003A06M010	103003A05M010	104003A05M010	105003A07M010
MATING RECEPTACLE*	5	1R3D04A25A120	1R3D04A16A120	1R4D04A16A120	1R5D04A25A120

CATALOG OPTIONS

*See Page 66 for additional Mating Receptacles

Use the following chart to modify your part's specifications

103000A06M0101

CABLE LENGTH

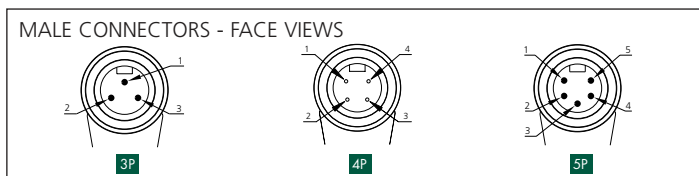
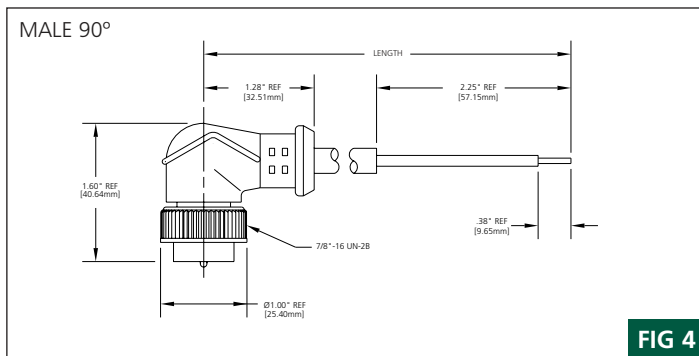
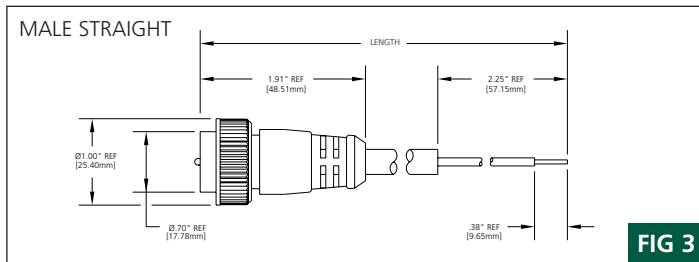
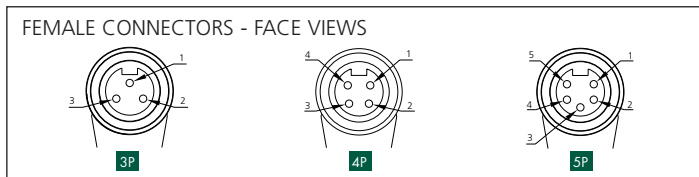
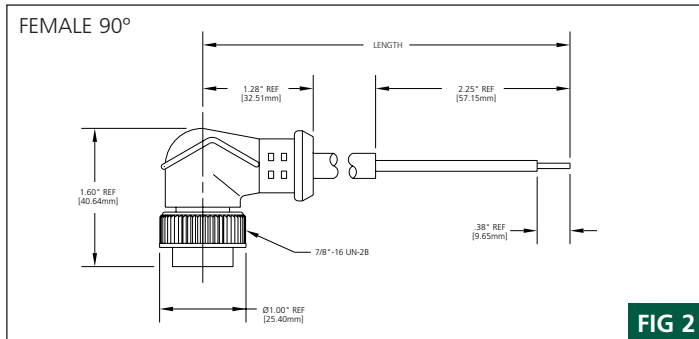
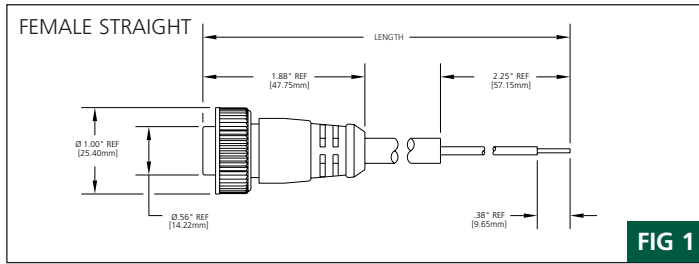
2 METERS	020
5 METERS	050

COUPLING NUT

STAINLESS STEEL	ADD 1
NON-METALLIC	ADD 2

Specifications

CONNECTOR DIMENSIONS



- MECHANICAL**
 CONNECTOR FACE: PVC - UL STD 94 - V0
 MOLDED BODY: PVC - UL STD 94 - V0
 COUPLING NUT: ZINC DIECAST W/ BLACK EPOXY COAT, OPTIONAL STAINLESS STEEL TYPE 303 OR NON-METALLIC GRAY NYLON 6/6
- CABLE:**
 YELLOW, PVC JACKET & PVC CONDUCTOR INSULATION, 3P & 4P: #18 AWG, 41 X #34 COPPER STRANDING, 5P: #20 AWG, 26 X #34 COPPER STRANDING, 300V
- OUTSIDE DIAMETER:**
 2P + GRD - .21" (5.3mm)
 3P - .29" (7.4mm)
 4P - .28" (7.1mm)
 5P - .28" (7.1mm)
- ELECTRICAL**
 VOLTAGE RATING: 300 V AC/DC
 AMPERAGE: 2P + GRD - 10A
 3P - 7A
 4P - 5.6A
 5P - 4A
- ENVIRONMENTAL**
 PROTECTION: IEC IP 68, NEMA 6P
 AMBIENT OPERATING TEMP: -4° C to +221° C (-20 to 90° C)
- CERTIFICATIONS**
 UL: UL RECOGNIZED, FILE NO. E46237
 CSA: CSA CERTIFIED, FILE NO. LR6837

RECEPTACLE DIMENSIONS

