



# 59 MHz LC Lowpass Filter

**Part Number: AE59L8903**



## Electrical specifications

**Cutoff Frequency (FC):** 59 MHz  
**Insertion loss @ 37-59 MHz:** 1 dB Min  
**Insertion loss @ 64 MHz:** 3 dB Min  
**Return loss:** 15 dB Max  
**Rejection @ 74 MHz:** 15 dB Max  
**Rejection @ 90-1000 MHz:** 60 dB Max

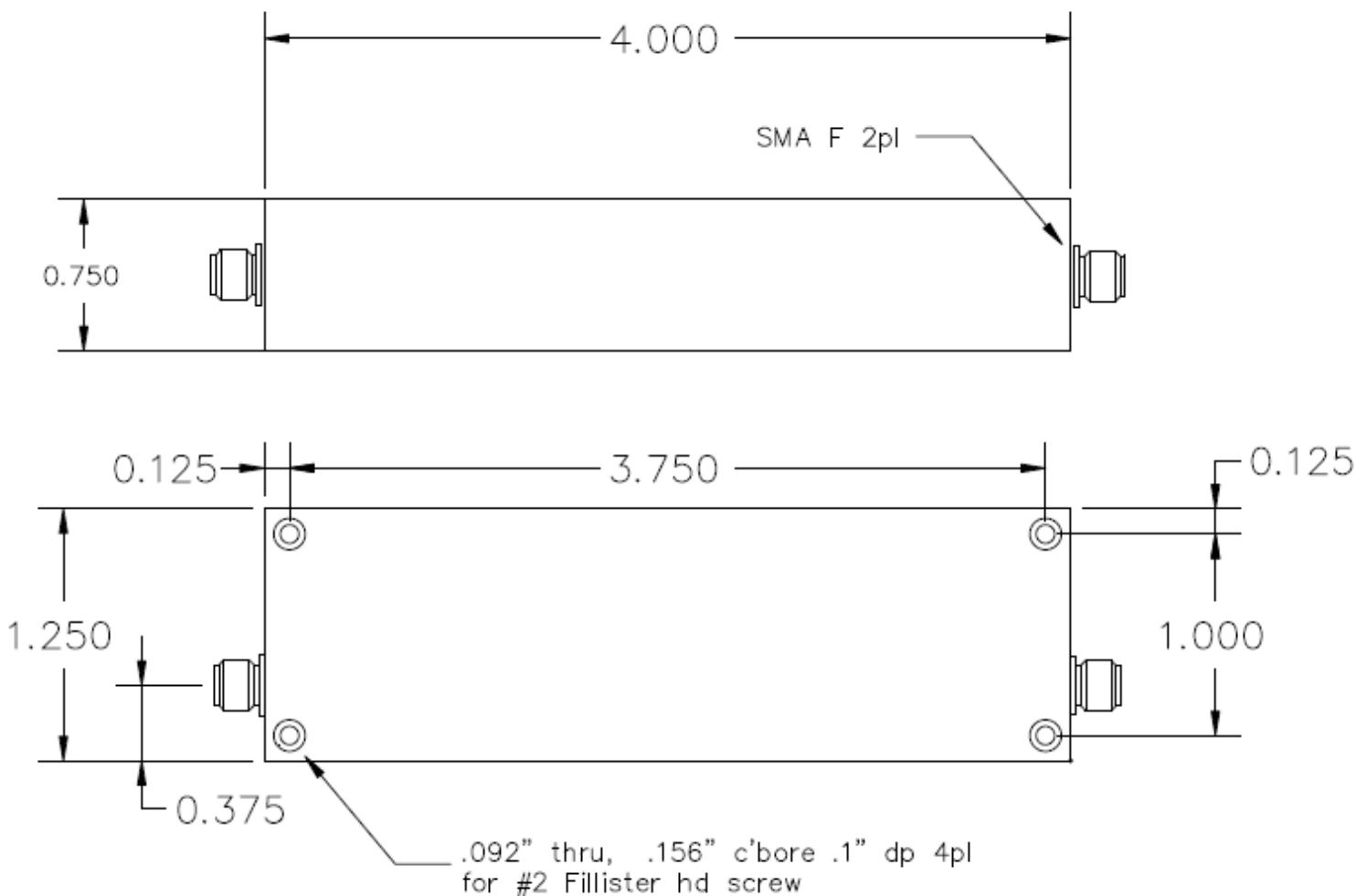
## Mechanical

**Mounting Method:** SMA (F)  
**Dimensions:** 4 x 1.25 x 0.75 Inches

## Environmental

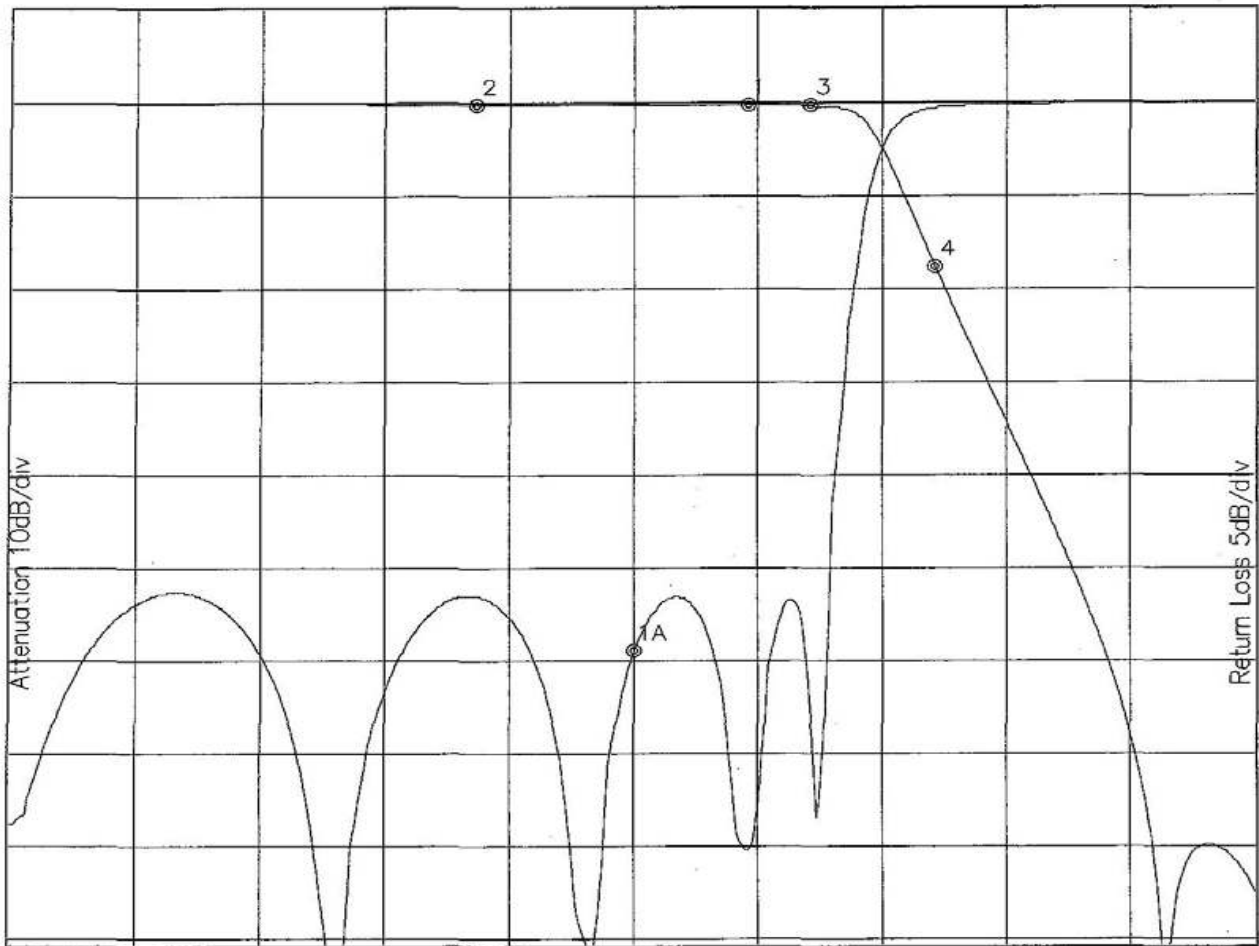
**Operating Temperature:** -40 to +85° C  
**Storage Temperature:** -55 to +95° C

## Outline Drawing:





### Response Plot



Attenuation Start: 0.010MHz Stop: 100.0MHz

Return Loss Start: 0.010MHz Stop: 100.0MHz

- Marker 1 Freq 59.128MHz Atten -0.222dB
- Marker 2 Freq 37.157MHz Atten -0.130dB
- Marker 3 Freq 64.136MHz Atten -0.320dB
- Marker 4 Freq 74.152MHz Atten -17.531dB

Marker 1A Freq 49.919MHz Ret Loss -29.453dB