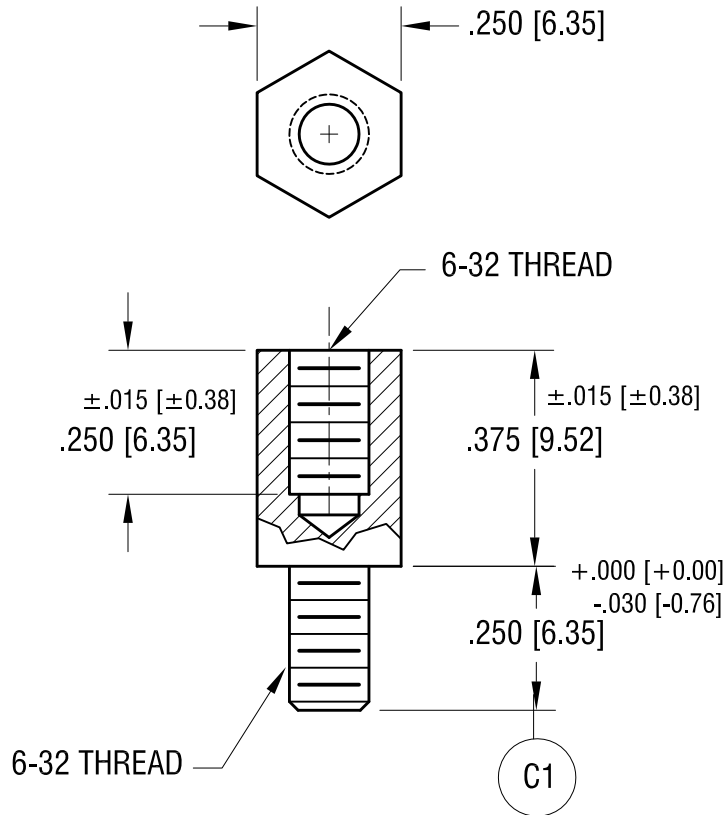
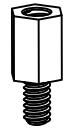


THIS DOCUMENT IS THE PROPERTY OF
KEYSTONE ELECTRONICS CORP. AND
SHALL NOT BE REPRODUCED, DISTRIBUTED
OR USED AS A BASIS FOR MANUFACTURE
WITHOUT PRIOR WRITTEN PERMISSION
FROM KEYSTONE ELECTRONICS CORP.

ACTUAL SIZE



NOTE:

1. MAT'L- HIGH TEMPERATURE ,
HIGH PERFORMANCE NYLON (COLOR- BLACK)
2. TEMPERATURE RANGE: $-20^{\circ}\text{F} [-29^{\circ}\text{C}]$ to $+365^{\circ}\text{F} [+185^{\circ}\text{C}]$

4.17.23	$C1$ WAS $.250 \pm .015$ CHANGE AS PER ECN23-056	C
1.13.22	TEMP. WAS -20°F to $+400^{\circ}\text{F}$ CHANGE AS PER ECN 22-021	B
6.15.20	GENERAL TOLERANCE WAS $\pm .005$ CHANGE AS PER ECN 20-054	A
DATE	DESCRIPTION	REV.

KEYSTONE ELECTRONICS CORP.			
www.keyelco.com • NEW HYDE PARK, NY 11040 • Tel (516) 328-7500			
PART NAME HIGH TEMPERATURE NYLON STANDOFF			
MATERIAL AS NOTED			
FINISH NONE		DRN BY NT	DATE 11.30.17
		APP'D RH	SCALE 3X
TOLERANCES	INCH [MM]	CODE	DWG NO.
DECIMAL	$\pm .010 [\pm 0.25]$	C	4971
ANGULAR	$\pm 1^{\circ}$		
UNLESS OTHERWISE SPECIFIED			