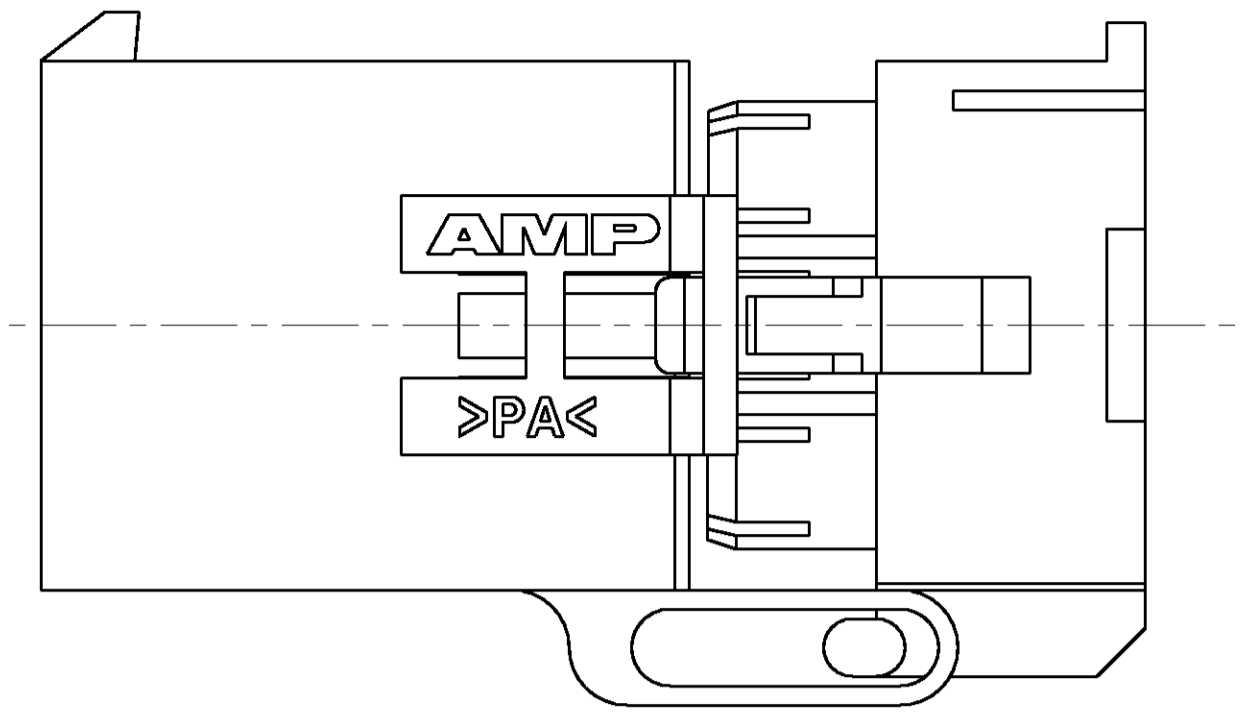
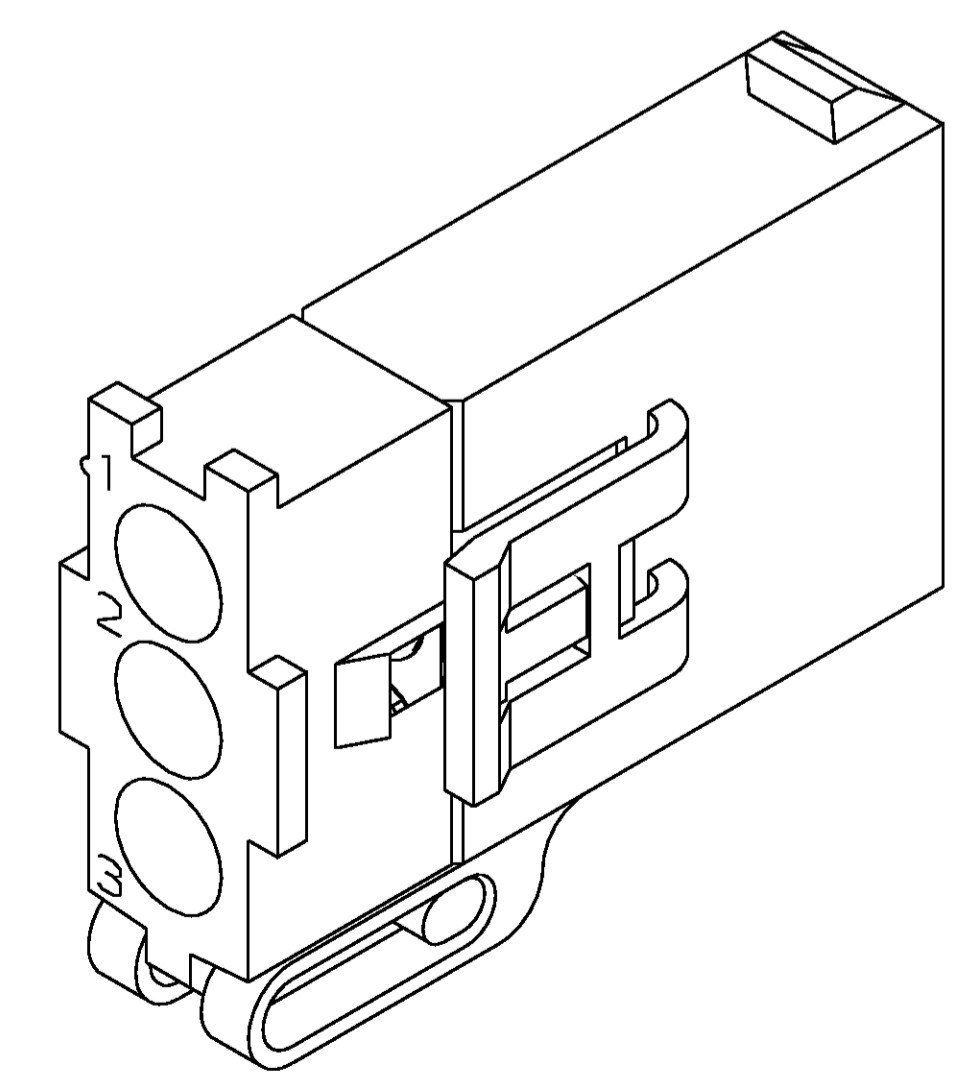
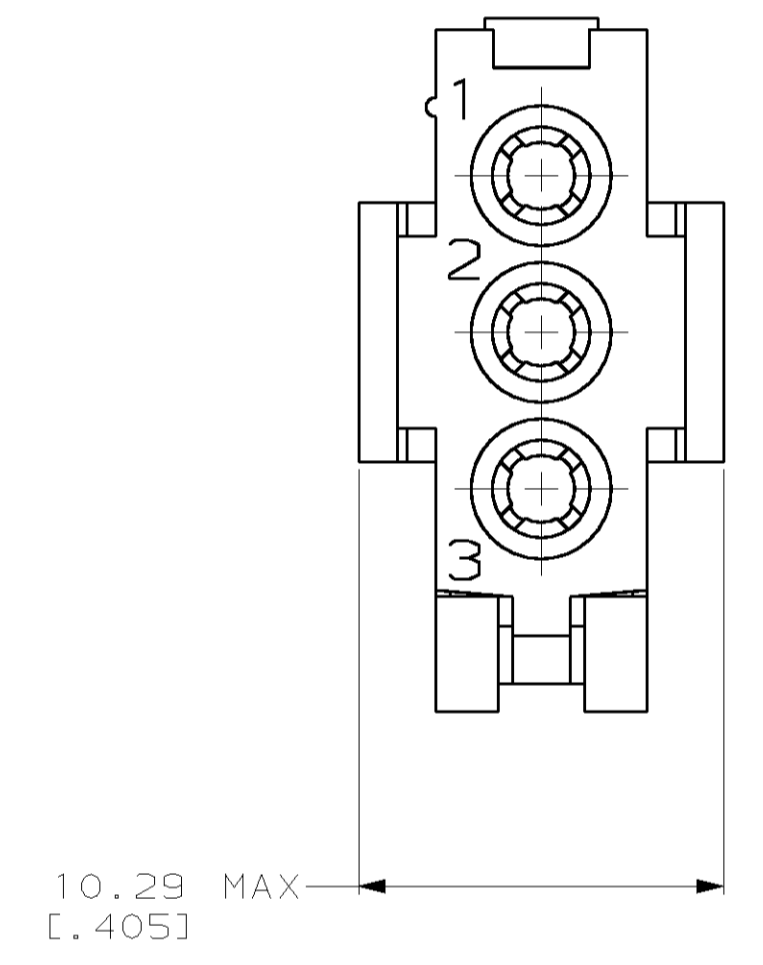
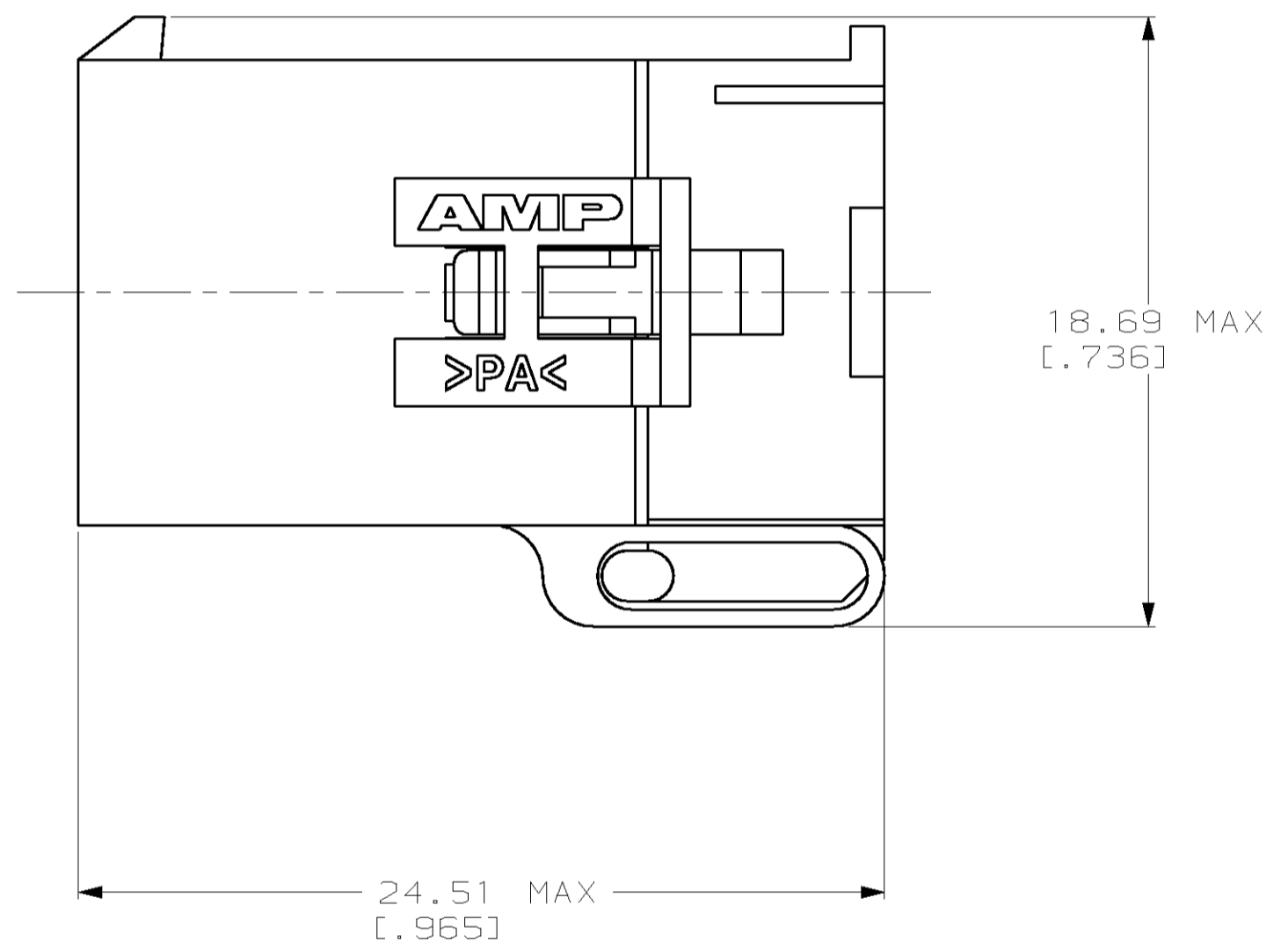
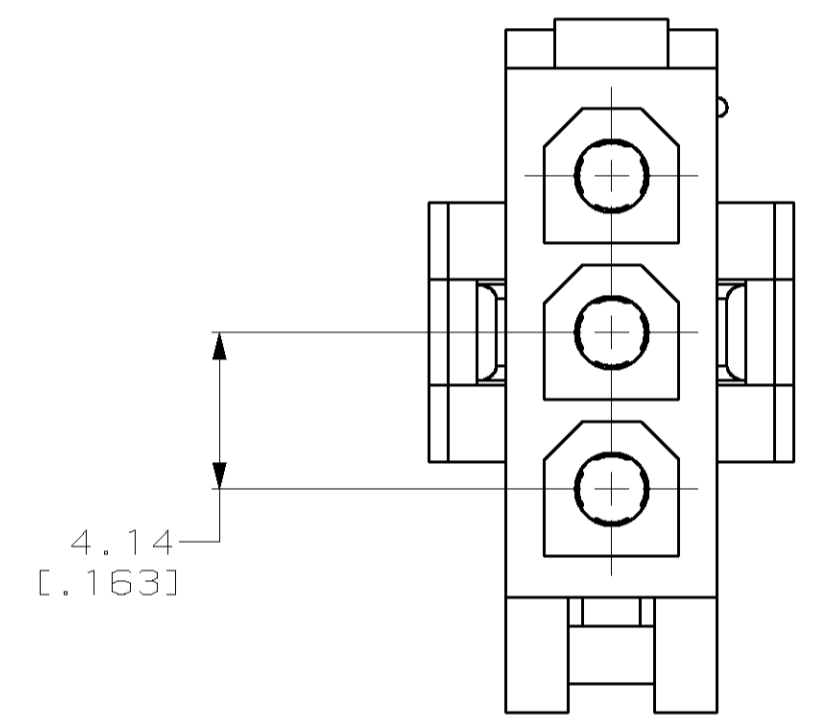


REVISONS		DATE	OWN	APVD
CM	53			
C		06-JUN-03	KW	CJ



PRE-STAGED CONDITION

1. DIMENSIONS IN BRACKETS ARE IN INCHES.



3-DIMENSIONAL MODEL  
NTS

794187-1  
PART NUMBER



THIS DRAWING IS A CONTROLLED DOCUMENT.		DWN K. WHITAKER 5-09-97	AMP AMP Incorporated Harrisburg, PA 17105-3608
		CHK R. SWING 5-09-97	
		APP'D E. ORSTAD 5-09-97	NAME CAP, 3 CIRCUIT, MINI UNIVERSAL MATE-N-LOK™ 2
DIMENSIONS:		PRODUCT SPEC	
mm	TOLERANCES UNLESS OTHERWISE SPECIFIED:	APPLICATION SPEC	
	0 PLC ±0.13 (0.005)	RESTRICTED TO	
	1 PLC ±0.13 (0.005)	SIZE CAGE CODE DRAWING NO	
	2 PLC ±0.13 (0.005)	A1 00779 C-794187	
	3 PLC ±0.13 (0.005)	WEIGHT	
	4 PLC ±0.13 (0.005)	CUSTOMER DRAWING	
	ANGLES ±0°30'	SCALE 5:1 SHEET 1 OF 1 REV C	
MATERIAL NYLON, JL 94V-0, NATURAL	FINISH -		