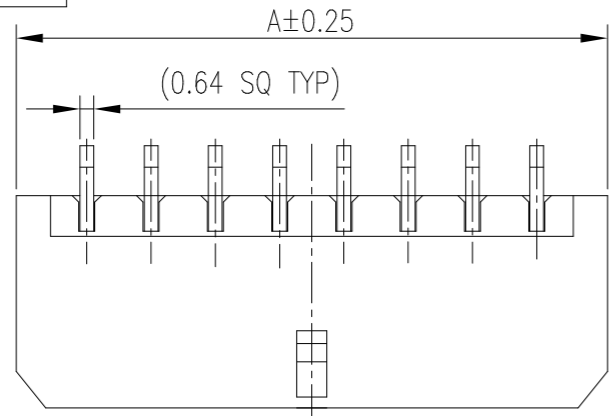


PRODUCT NUMBER

SEE P/N SCHEME



NOTE:

- MATERIAL:  
HOUSING: LCP, UL94V-0, HALOGEN FREE, COLOR: BLACK  
CONTACT: COPPER ALLOY.
- CONTACT FINISH: NICKEL 50u" Min. UNDERPLATED OVERALL.  
OPTIONAL PLATING ON CONTACT AREA, TIN ON SOLDER TAIL.
- REFER GS-20-0399 APPLICATION SPECIFICATION FOR MATING CONNECTOR.
- PRODUCT SPECIFICATION: GS-12-1177.
- PACKAGE SPECIFICATION: GS-14-2359.
- APPLICATION SPECIFICATION: GS-20-0399
- THE HOUSING WILL WITHSTAND EXPOSURE TO 260°C PEAK TEMPERATURE FOR 10 SECONDS IN A REFLOW OVEN.
- THE HOUSING WILL WITHSTAND EXPOSURE TO 260°C PEAK TEMPERATURE FOR 5 SECONDS IN A WAVE SOLDER
- LEAD FREE PRODUCTS MEET EUROPEAN UNION DIRECTIVES AND OTHER COUNTRY REGULATIONS AS DESCRIBED IN GS-47-0004
- PART NUMBER SCHEME:  
10127720- XX X X X X LF

POS. CODE:

- 02: 2 POS
- 04: 4 POS
- 24: 24 POS

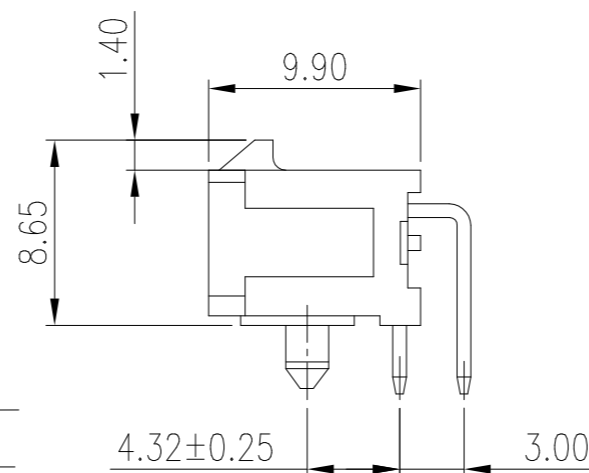
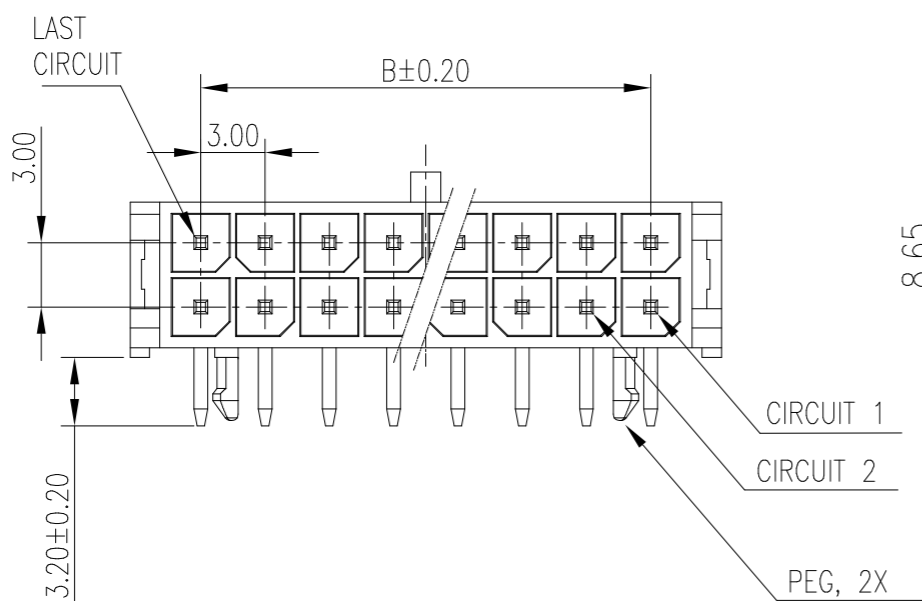
LEAD FREE

- OPTIONAL PACKAGES:  
BLANK: TRAY  
R: TAPE AND REEL

PLATING CODE:

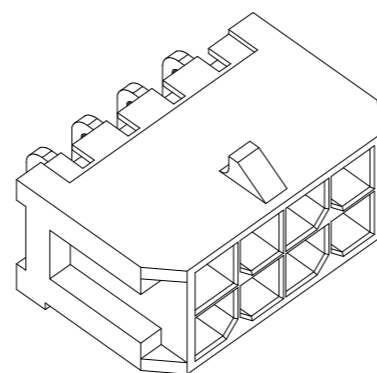
- 1: 100u" Min. MATTE TIN OVERALL
- 2: GOLD FLASH OVERALL
- 3: 15u" Min Au ON CONTACT AREA, 100u" Min MATTE TIN ON TAIL
- 4: 30u" Au ON CONTACT AREA, 100u" Min MATTE TIN ON TAIL
- 5: 160u" Min MATTE TIN OVERALL

- OPTIONAL PEGS:  
BLANK: WITH PEGS  
N: NO PEG, ONLY FOR 4,8,10 POS
- GLOW WIRE COMPATIBLE:  
BLANK: NON-COMPATIBLE  
G: GLOW WIRE COMPATIBLE



P/N & DIMENSION TABLE

| PART NO.          | POS | A     | B     | C     | D     |
|-------------------|-----|-------|-------|-------|-------|
| 10127720-02XXXXLF | 2   | 6.60  | --    | --    | --    |
| 10127720-04XXXXLF | 4   | 9.60  | 3.00  | --    | --    |
| 10127720-06XXXXLF | 6   | 12.60 | 6.00  | --    | --    |
| 10127720-08XXXXLF | 8   | 15.60 | 9.00  | 7.70  | 4.70  |
| 10127720-10XXXXLF | 10  | 18.60 | 12.00 | 10.70 | 7.70  |
| 10127720-12XXXXLF | 12  | 21.60 | 15.00 | 13.70 | 10.70 |
| 10127720-14XXXXLF | 14  | 24.60 | 18.00 | 16.70 | 13.70 |
| 10127720-16XXXXLF | 16  | 27.60 | 21.00 | 19.70 | 16.70 |
| 10127720-18XXXXLF | 18  | 30.60 | 24.00 | 22.70 | 19.70 |
| 10127720-20XXXXLF | 20  | 33.60 | 27.00 | 25.70 | 22.70 |
| 10127720-22XXXXLF | 22  | 36.60 | 30.00 | 28.70 | 25.70 |
| 10127720-24XXXXLF | 24  | 39.60 | 33.00 | 31.70 | 28.70 |



|             |  |                    |  |                            |  |             |  |                               |  |
|-------------|--|--------------------|--|----------------------------|--|-------------|--|-------------------------------|--|
| mat'l. code |  | surface ISO 1302 ✓ |  | tolerance ISO 406 ISO 1101 |  | projection  |  | product family                |  |
| ltr         |  | ecn no             |  | dr                         |  | date        |  | MINITEK PWR3.0                |  |
| J           |  | ELX-N-30249        |  | TONY                       |  | 2018-05-23  |  | title                         |  |
| K           |  | ELX-I-43460        |  | ASLAM                      |  | 2022-01-21  |  | DUAL ROW, R/A DIP TYPE        |  |
|             |  |                    |  | angles                     |  | linear      |  | MINITEK 3.0 STANDARD HEADER   |  |
|             |  |                    |  | 0°±2'                      |  |             |  | dwg no                        |  |
|             |  |                    |  | dr                         |  | KENNY TAI   |  | 2013-10-21                    |  |
|             |  |                    |  | engr                       |  | AKHIL RAJAN |  | 2022-01-21                    |  |
|             |  |                    |  | chr                        |  | MITHUN PAUL |  | 2022-01-21                    |  |
|             |  |                    |  | appd                       |  | SPK         |  | 2022-01-21                    |  |
| sheet       |  | revision           |  | K                          |  | K           |  | Amphenol FCI                  |  |
| index       |  | sheet              |  | 1                          |  | 2           |  | 10127720                      |  |
|             |  |                    |  |                            |  |             |  | A3                            |  |
|             |  |                    |  |                            |  |             |  | type Product Customer Drawing |  |



Amphenol  
FCi

© 2016 AFci



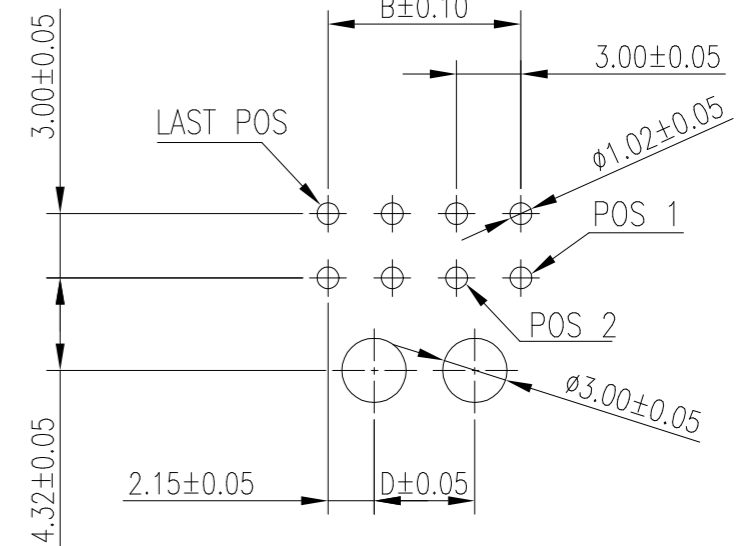
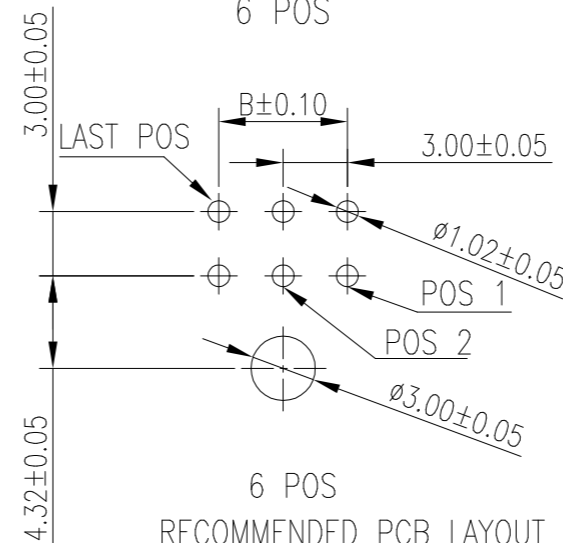
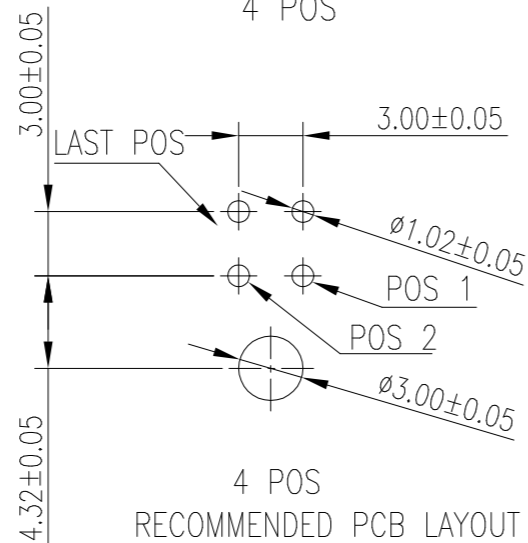
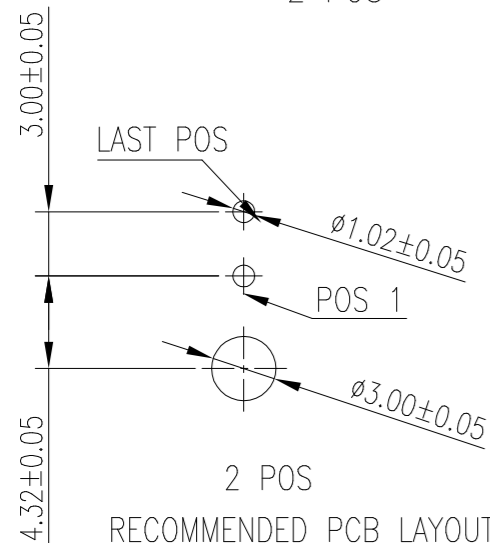
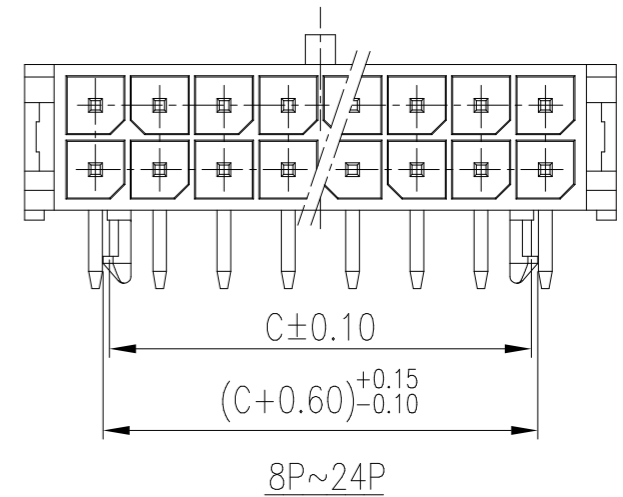
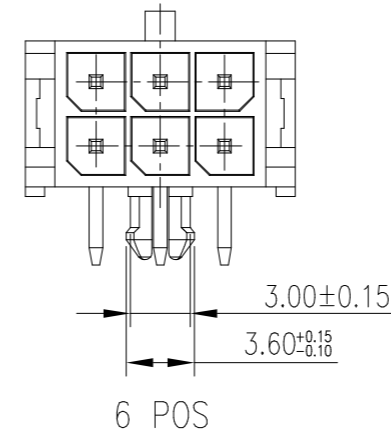
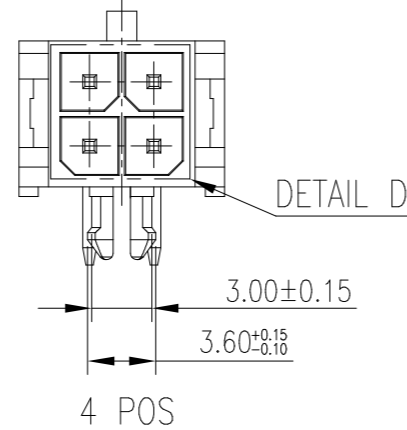
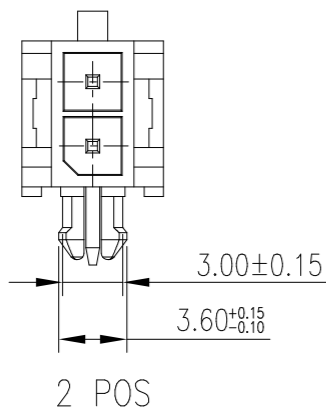
1

2 3

4

5

6

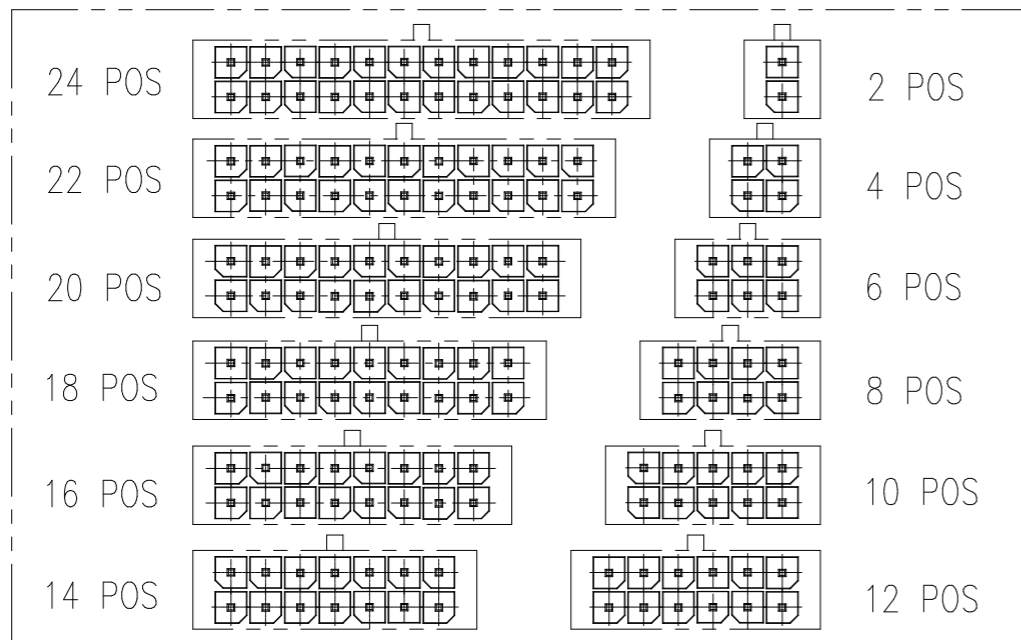


RECOMMENDED PCB LAYOUT  
PCB THICKNESS=1.6mm.  
General Tolerance±0.05

RECOMMENDED PCB LAYOUT  
PCB THICKNESS=1.6mm.  
General Tolerance±0.05

RECOMMENDED PCB LAYOUT  
PCB THICKNESS=1.6mm.  
General Tolerance±0.05

8~24 POS  
RECOMMENDED PCB LAYOUT  
PCB THICKNESS=1.6mm.  
General Tolerance±0.05



DETAIL D

|             |  |                |  |                  |  |            |  |                             |  |
|-------------|--|----------------|--|------------------|--|------------|--|-----------------------------|--|
| mat'l. code |  | surface        |  | tolerance        |  | projection |  | product family              |  |
|             |  | ISO 1302 ✓     |  | ISO 406 ISO 1101 |  |            |  | MINITEK PWR3.0              |  |
| ltr         |  | ecn no         |  | dr               |  | date       |  | title                       |  |
|             |  |                |  |                  |  |            |  | DUAL ROW, R/A DIP TYPE      |  |
|             |  |                |  |                  |  |            |  | MINITEK 3.0 STANDARD HEADER |  |
|             |  |                |  |                  |  |            |  | dwg no                      |  |
|             |  |                |  |                  |  |            |  | sheet 2 of 2                |  |
|             |  |                |  |                  |  |            |  | size                        |  |
|             |  |                |  |                  |  |            |  | A3                          |  |
|             |  |                |  |                  |  |            |  | type                        |  |
|             |  |                |  |                  |  |            |  | Product Customer Drawing    |  |
| sheet index |  | revision sheet |  | K                |  | K          |  |                             |  |
|             |  |                |  | 1                |  | 2          |  |                             |  |