

### Gigabit 802.3at PoE Extender

#### Features

- 802.3af / 802.3at Compatible
- 10/100/1000Mb Compatible
- Weatherproof – Outdoor rated
- Easy Plug and Play Operation
- Extends PoE an additional 100m
- Auto Link Speed, Duplex and Crossover



POE-EXT-GD-HP

#### Applications

- Wireless Equipment
- IP Telephone
- Security Applications
- Sensor Equipment

#### Description

The POE-EXT-GD-HP is a high quality, high power, shielded Gigabit Ethernet and PoE extender to be able to extend Ethernet beyond the standard 100m limit. By using multiple units, Ethernet and PoE can be extended up to 300m over CAT5/CAT6 cables. The units are powered by PoE so no additional power source is required. Units can accept Mode A (Pins 1,2,3,6) or Mode B (Pins 4,5,7,8) PoE: 802.3af, 802.3at or 48V Passive PoE.

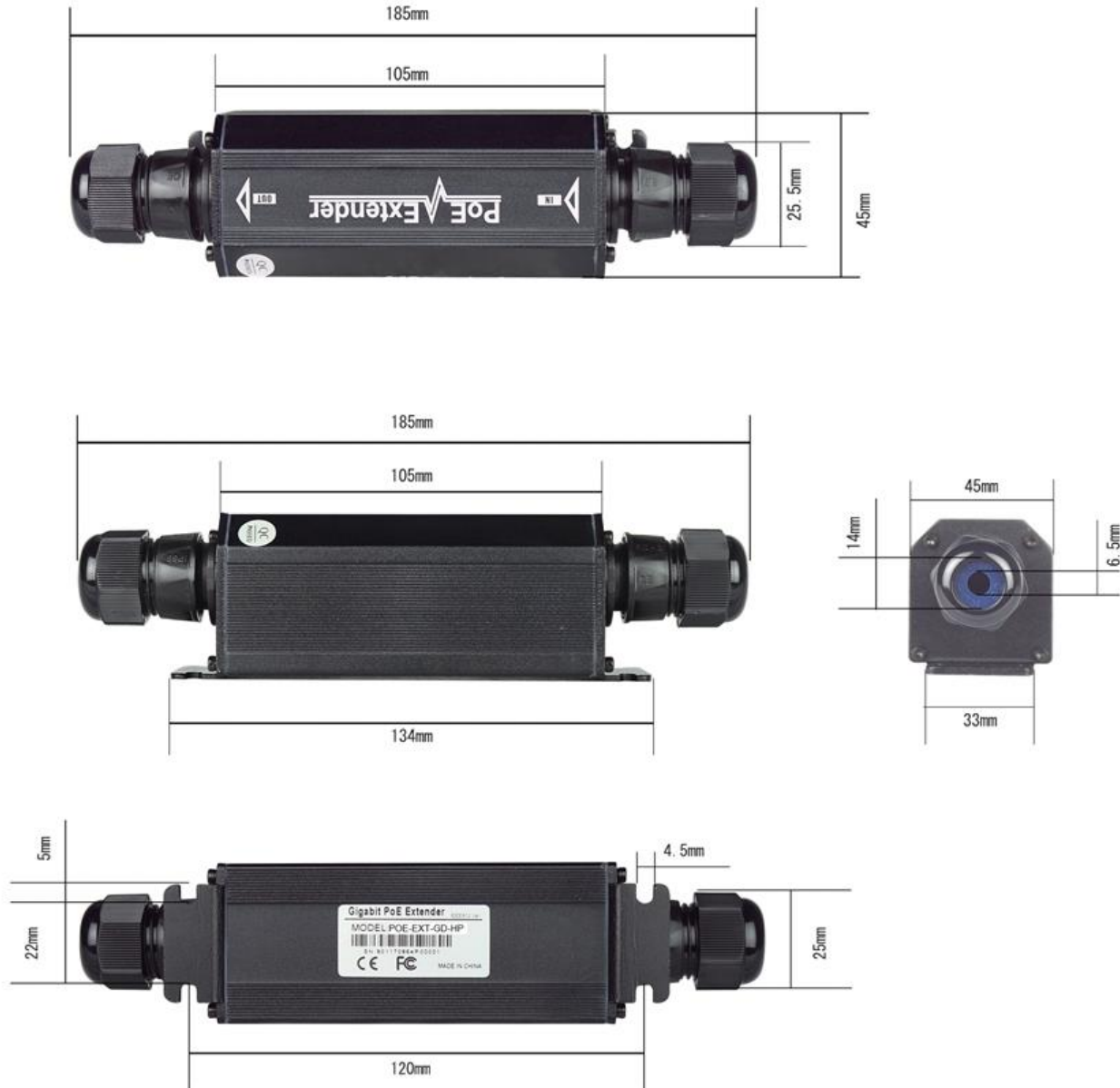
The rugged outdoor weatherproof enclosures are powder coated aluminum and are rated to IP66. The units meet outdoor temperature ratings of -25C to +55C.

#### Specifications

|                               | POE-INJ/SPLT-G                   |
|-------------------------------|----------------------------------|
| <b>PoE Input</b>              | 802.3af / at / 44 to 57V Passive |
| <b>PoE Input Pinout</b>       | 1,2(-) 3,6(+) or 7,8(-) 4,5(+)   |
| <b>PoE Output</b>             | 802.3af or 802.3at Class 4       |
| <b>PoE Output Pinout</b>      | 1,2(+) 3,6(-) Up to 25W          |
| <b>Data Speeds</b>            | 10/100/1000Mb                    |
| <b>Self Consumption Power</b> | 2.0W Typ                         |
| <b>Operating Temperature</b>  | -13°F to 131°F (-25°C to +55°C)  |
| <b>Operating Humidity</b>     | 0 to 100% RH                     |
| <b>Size</b>                   | 7.3 x 1.8 x 1.8" (185x45x45mm)   |
| <b>Weight</b>                 | 8.5oz (240g)                     |
| <b>Warranty</b>               | 2 Years                          |

| CAT5e/CAT6 Cable Loss @ 100m |            |
|------------------------------|------------|
| Load                         | Cable Loss |
| 8W                           | 0.2W       |
| 15W                          | 0.7W       |
| 20W                          | 1.2W       |
| 25W                          | 2W         |

## POE-EXT-GD-HP Dimensions



**Ordering:** **POE-EXT-GD-HP** Gigabit 802.3af/at PoE Extender

**For further information contact:**

[Tyconsystems.com](http://Tyconsystems.com)

