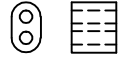
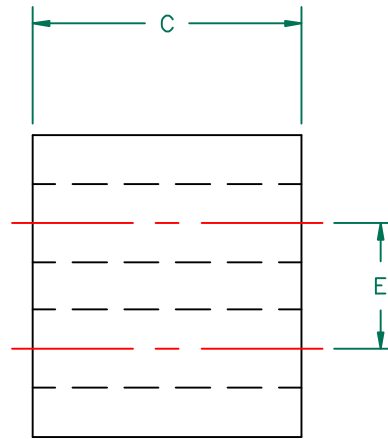
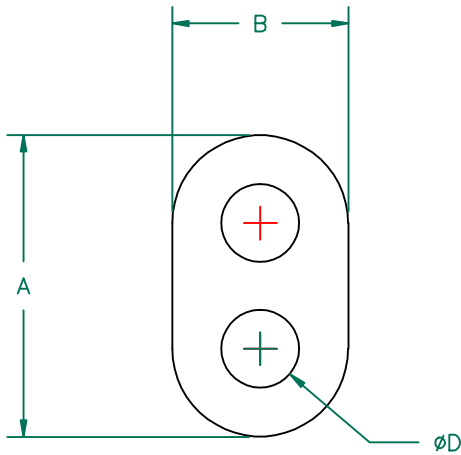


**UNCONTROLLED  
DOCUMENT**

Scale Drawing



28N0277-000



ELECTRICAL TESTING

TEST	NET Z	NET Z
# TURNS	1 LOOP	1 LOOP
AWG	24	24
FREQUENCY	25 MHz	100 MHz
NOMINAL	64 Ω	114Ω
MINIMUM	-	86 Ω
WEIGHT/K	0.61171 KGS	1.3486 LBS

BARE CORE DIMENSIONS:

A	7.04 [.277]	±	0.25 [.010]
B	4.06 [.160]	±	0.13 [.005]
C	6.20 [.244]	±	0.25 [.010]
D	1.80 [.071]	±	0.13 [.005]
E	2.90 [.114]	±	0.13 [.005]

DIMENSIONS ARE IN mm [INCHES].				This print is the property of Laird Tech. and is loaned in confidence subject to return upon request and with the understanding that no copies shall be made without the written consent of Laird Tech. All rights to design or invention are reserved.				
REV	DESCRIPTION	DATE	INT					PROJECT/PART NUMBER:
					28N0277-000	A	BALUN	Jcai
A	ORIGINAL DRAFT	05/20/13	Jcai	DATE:	05/20/13	SCALE:	6:1	MATERIAL:
				CAD #	28N0277-000-A	TOOL #	N0277	FERRITE