

PRODUCT NUMBER

SHEET 2

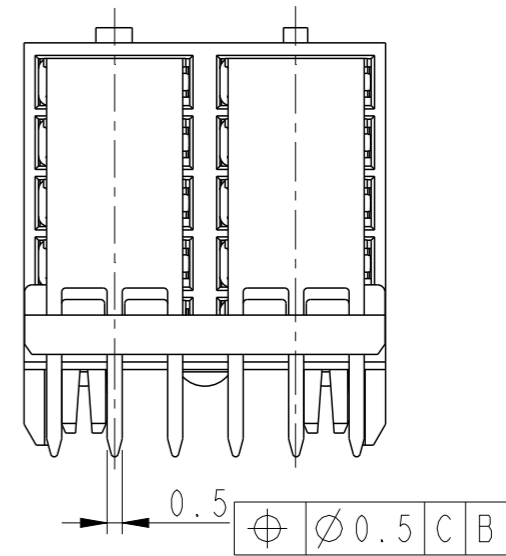
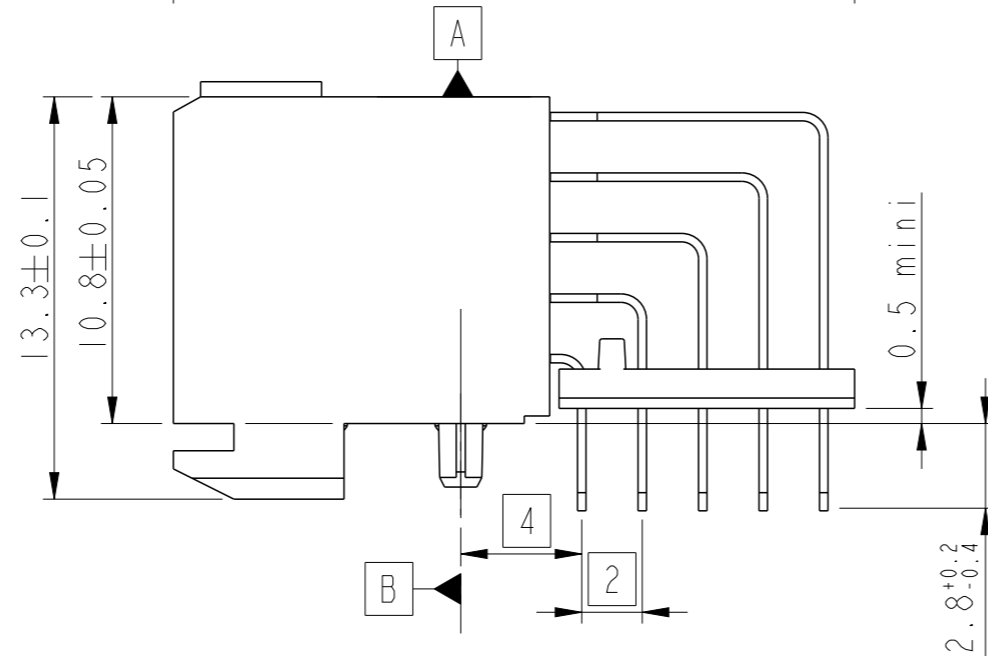
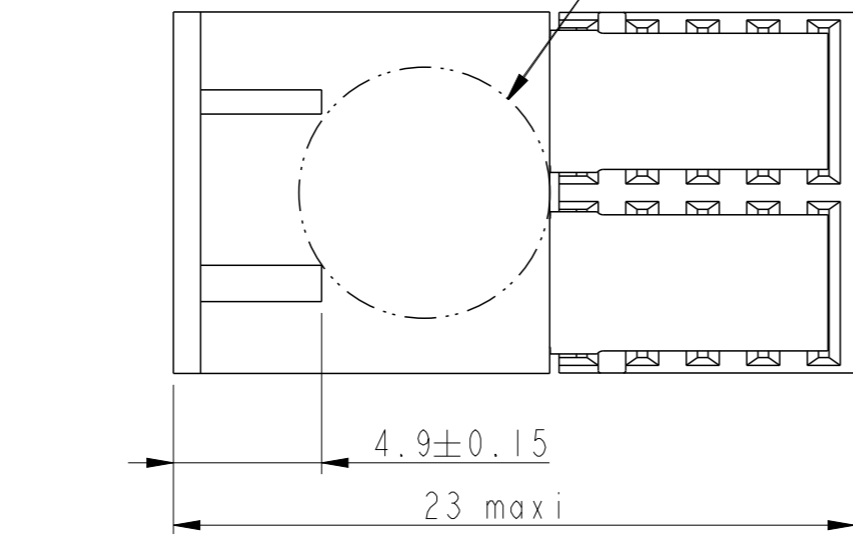
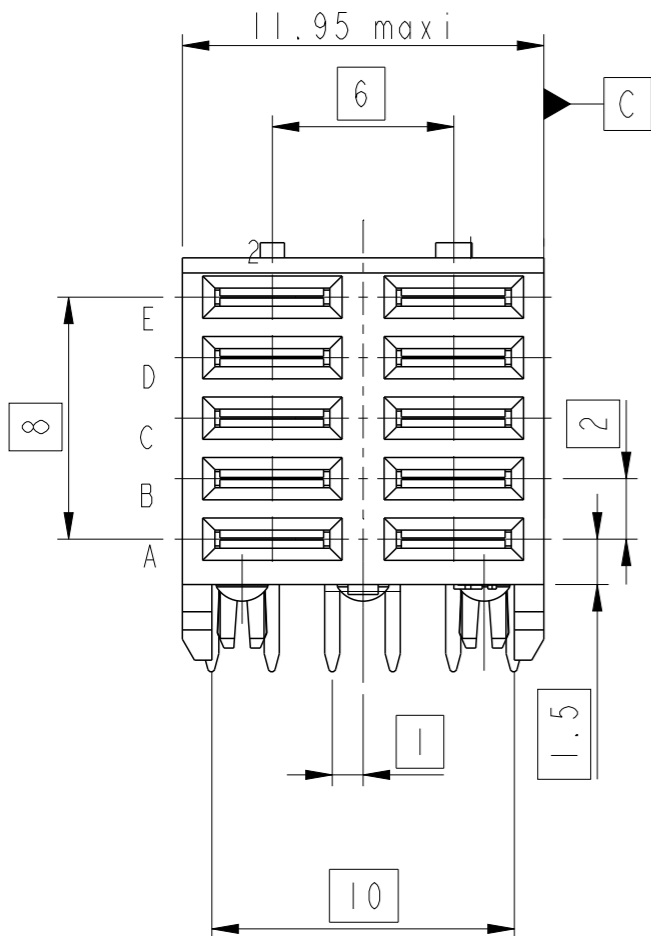
AREA FOR VACCUM NOZZLE (Ø8 MAX)

NOTES :

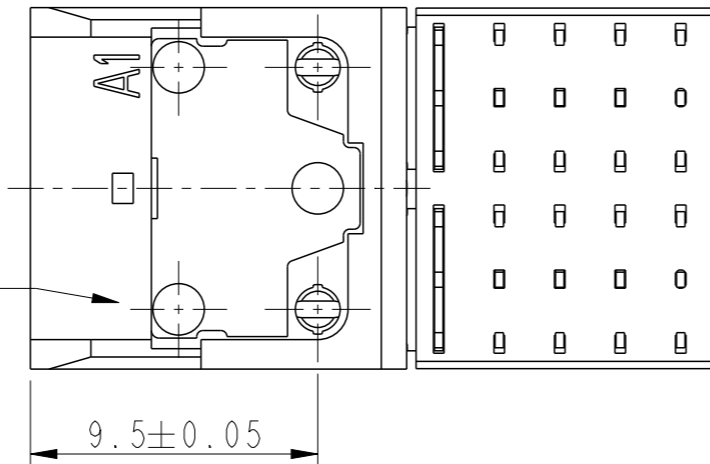
1-Housing material: Glass filled thermoplastic
LCP flame retardant per UL 94 V0
color : Naturel (white)

2-Wafer material: Glass filled thermoplastic
flame retardant UL 94 V0 -color : black

3-For the product with 30u" gold plating in terminal.
they can be replaced by 30 GXT plating.



Hold down feature
See detailed P/N
Sheet 2



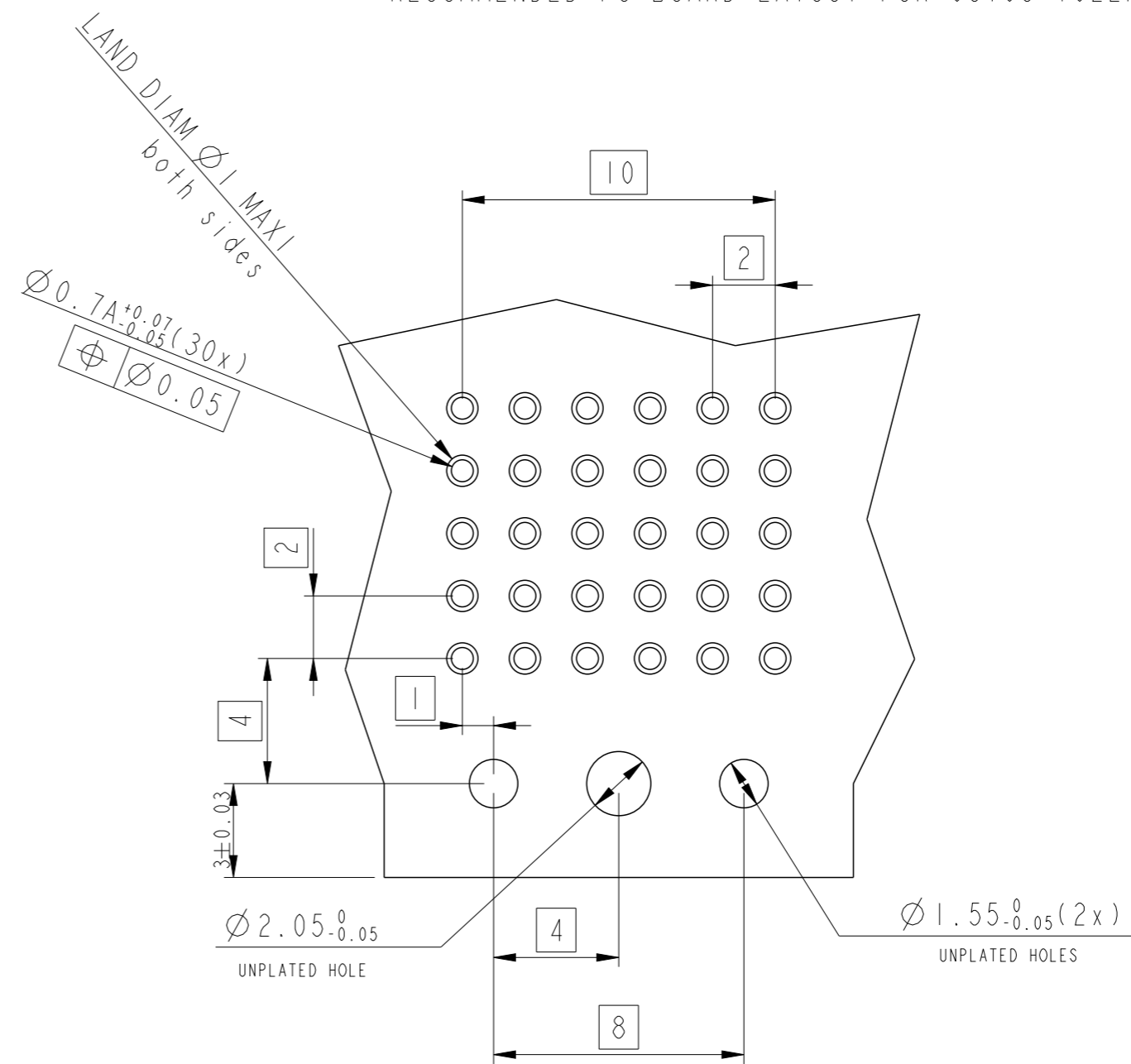
NOTE : RoHS INFORMATION

- The LF product meets European Directives and other country regulations as described in GS-22-008
- The housing will withstand exposure to 260°C peak temperature for 30 s in a convection ,infra red or vapor reflow oven
- See applications notes/procedures if they are available
- Packaging spec: See GS-14-920

spec ref	*	dr	Andy Zhang	2010/11/02	projection	mm	size	A3	scale	4:1	
tolerance std	ISO 406 ISO 1101	eng	Nick Zhang	2017/04/13			ecn no	ELX-N-26597-1			
surface	linear	chr	-	-			rel level	Released			
		appr	Tim Yao	2017/04/13	product family						
					Amphenol FCI	5 x 6 RECPTACLE RA PIP	dwg no	63793		rev	K
						FEMALE POWER PIP					
					cat. no.	63793-101	Product - Customer Drw	sheet 1 of 3			

PRODUCT NUMBER	PERFORMANCE LEVEL	HOLD DOWN FEATURE
63793-101LF	TELCORDIA CO	WITH
63793-101	TELCORDIA CO	
63793-102LF	TELCORDIA CO	WITHOUT

RECOMMENDED PC BOARD LAYOUT FOR 63793-102LF

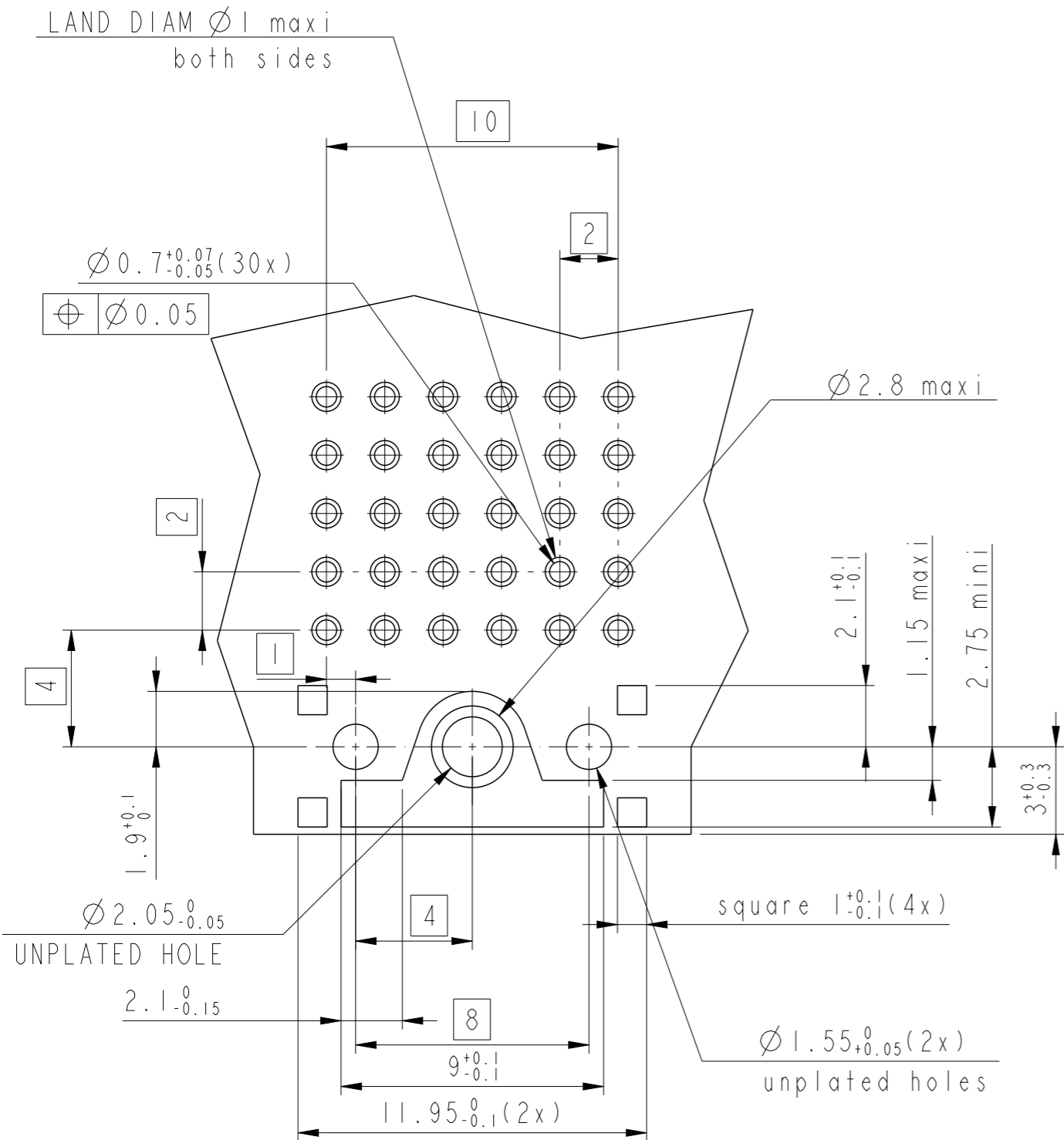


Amphenol
FCi

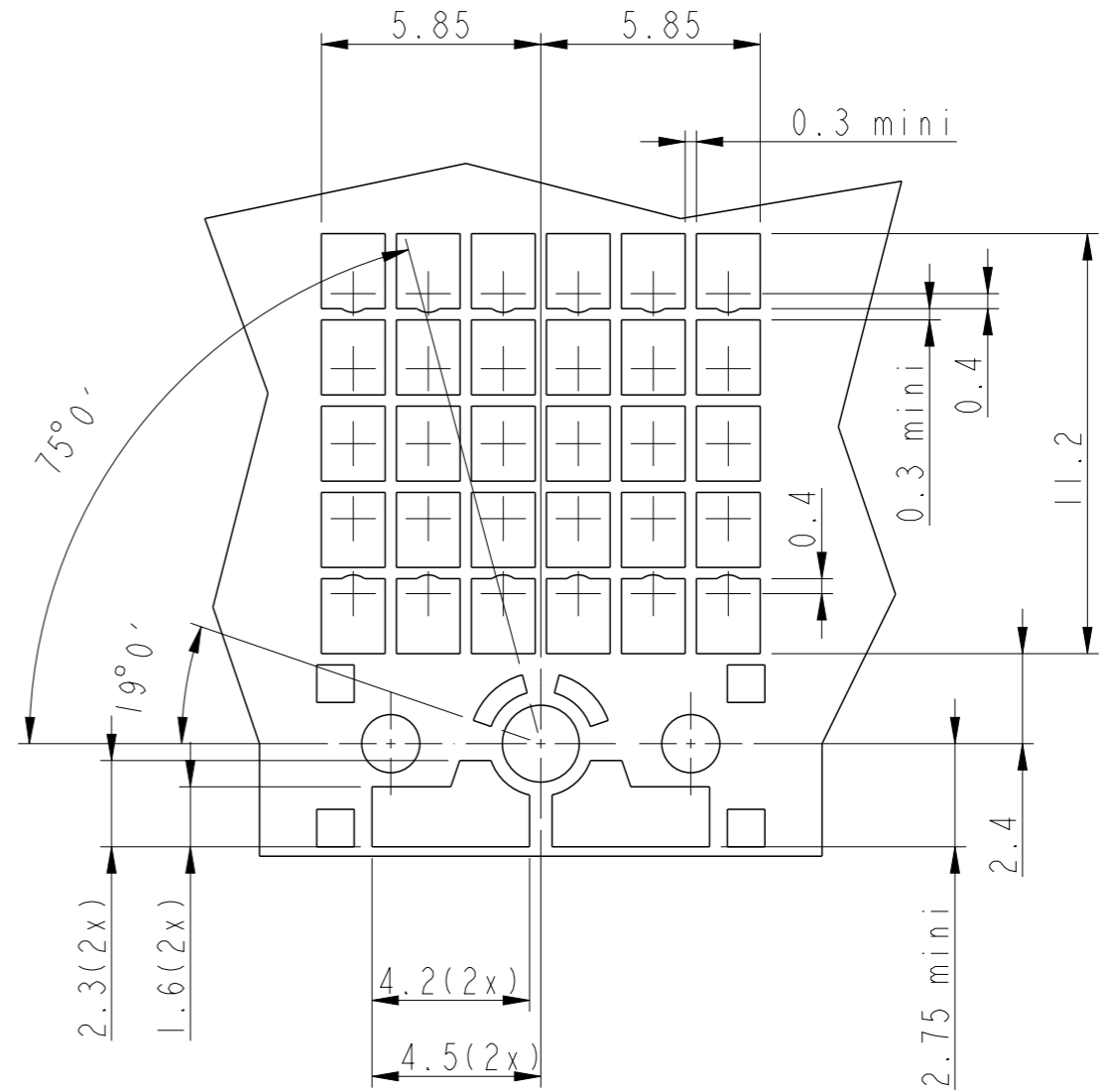
© 2016 AFCI

spec ref	--	dr	Andy Zhang	2010/11/02	projection	mm	size	A3	scale	1:1
tolerance std	ISO 406 ISO 1101	eng	Nick Zhang	2017/04/13			ecn no	ELX-N-26597-1		
TOLERANCES UNLESS OTHERWISE SPECIFIED		chr	-	-			rel level	Released		
surface	linear	appr	Tim Yao	2017/04/13	product family	5 x 6 RECPTACLE RA PIP		dwg no	63793	
ISO 1302	angular	Amphenol FCi		FEMALE POWER PIP		rev	K		Product - Customer Drw	
		cat. no.	-		sheet 2 of 3					

RECOMMENDED PC BOARD LAYOUT FOR 63793-10(LF)



RECOMMENDED STENCIL LAYOUT FOR 63793-101(LF)



Amphenol
FCi

© 2016 AFCI

spec ref	--	dr	Andy Zhang	2010/11/02	projection	mm	size	A3	scale	5:1		
tolerance std	ISO 406 ISO 1101	eng	Nick Zhang	2017/04/13			ecn no	ELX-N-26597-1				
TOLERANCES UNLESS OTHERWISE SPECIFIED		chr	-	-			rel level	Released				
surface	linear	0.X	±0.3		Amphenol FCi	title 5 x 6 RECPTACLE RA PIP FEMALE POWER PIP	dwg no 63793	rev K	ISO 1302			
		0.XX	±0.1						cat. no.	-	Product - Customer Drw	sheet 3 of 3
	angular	0°	±2°						PDS: Rev :K		STATUS:Released	