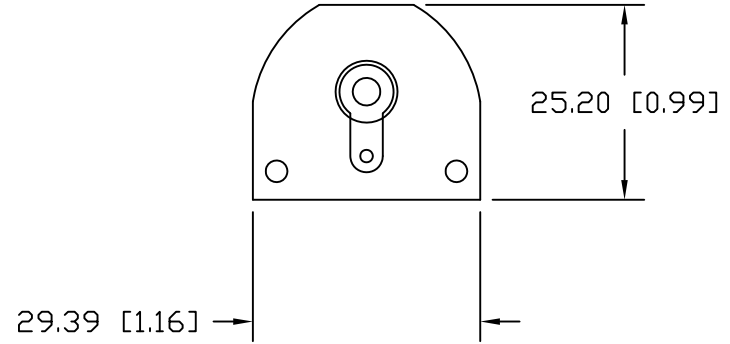
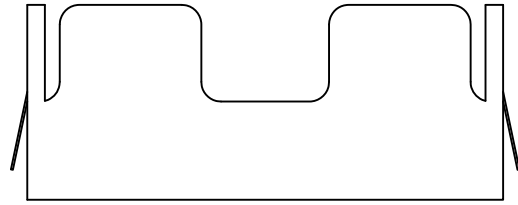
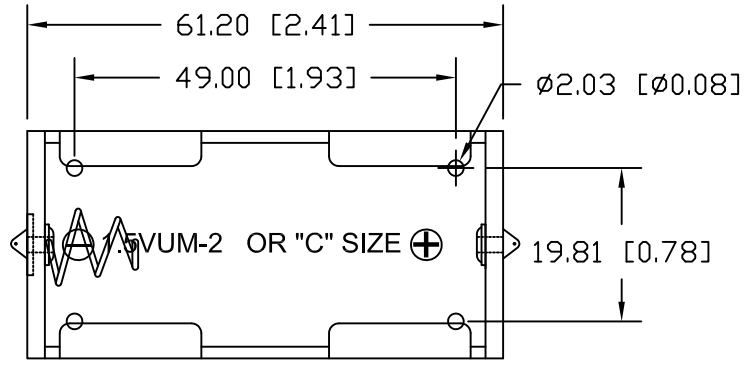



Date	SYM	REVISION RECORD	AUTH	DR.	CK.
06/21/13	A	UPDATED TO ROHS 2 COMPLIANT	T.B.	B.S.	
04/07/17	B	DIM. 49.0 WAS 49.28 DIM. 61.20 WAS 61.49	T.B.	B.S.	



SPECIFICATION:

1. MATERIAL:

HOUSING : BLACK POLYPROPYLENE
 FLAMMABILITY RATING -UL94-HB, UL FILE NO. E216959
 TEMPERATURE RANGE: -10°C to +100°C
 RIVETS: BRASS, NICKLE PLTD.
 SPRING: SPRING STEEL, NICKLE PLTD.
 CONTACT RESISTANCE: UNDER 50mΩ FOR +/- CONTACTS PER EIA-540J000
 ROHS 2 COMPLIANT

Tolerance (Inches)	 Memory Protection Devices, Inc 200 Broad Hollow Road, Farmingdale, New York 11735		
Decimal ±.5 (.020)		Scale	Drawn By B.S.
Fractional ± .8 (.030)	Title "C" BATTERY HOLDER WITH SOLDER LUGS		
Angular ± 3°	Date 04/07/17	Drawing Number BHCL	
		Approved By T.B.	