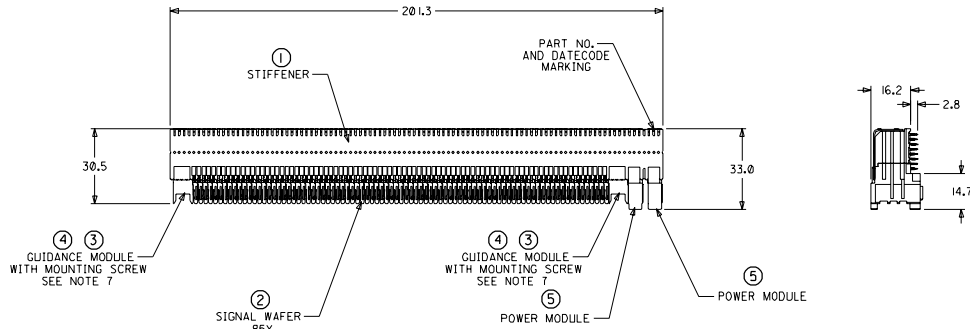
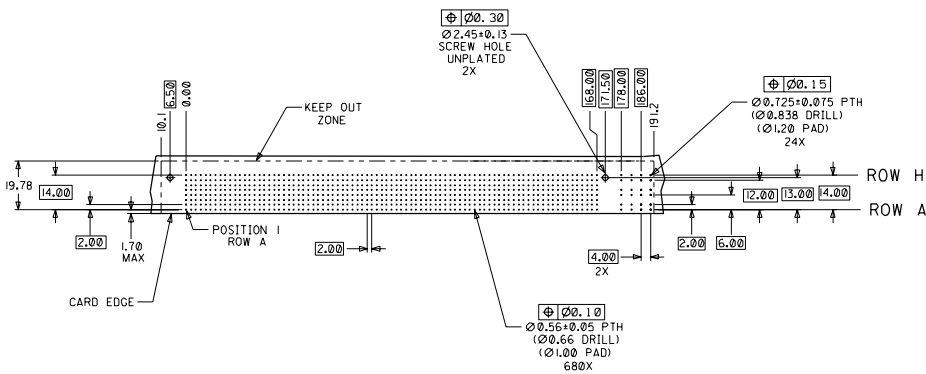
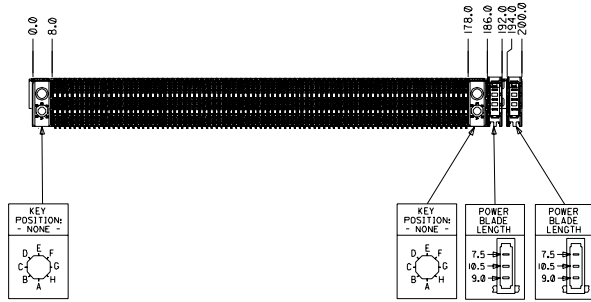


CUSTOMER: SITARA



- NOTES: (UNLESS OTHERWISE SPECIFIED)
- MATERIALS: HOUSING - LIQUID CRYSTAL POLYMER (LCP), GLASS-FILLED, UL94V-0, BLACK.  
STIFFENER - STAINLESS STEEL.  
TERMINALS - HIGH PERFORMANCE COPPER ALLOY.
  - FINISH: SELECTIVE GOLD (Au) IN CONTACT AREA, 0.00076mm MINIMUM THICKNESS; SELECTIVE TIN/LEAD (Sn/Pb) ON PCB TAILS, NICKEL (Ni) OVERALL.
  - REFER TO MOLEX PRODUCT SPECIFICATION PS-74031-999 FOR PERFORMANCE SPECIFICATIONS.
  - REFER TO MOLEX DOCUMENT SD-74681-002 FOR ADDITIONAL DETAIL ON THE HSD SIGNAL WAFER.
  - REFER TO MOLEX DOCUMENT SD-74037-006 FOR ADDITIONAL DETAIL ON THE GUIDANCE MODULE.
  - REFER TO MOLEX DOCUMENT SD-74026-002 FOR ADDITIONAL DETAIL ON THE POWER MODULE.
  - MOUNTING SCREWS WILL BE BAGGED WITH EACH CONNECTOR.
  - PARTS ARE PACKAGED IN TUBES PER PK-70873-5041.



DAUGHTERCARD HOLE PATTERN (CONNECTOR SIDE)

ITEM	PART NUMBER	DESCRIPTION	QTY
1	74046-0201	STIFFENER	1
2	74681-0001	HSD8 WAFER	85
3	74037-0008	POLARIZING/GUIDE MODULE	2
4	73726-0000	GUIDE MODULE MNTG SCREW	2
5	74026-8231	POWER MODULE	2

INITIAL RELEASE EC NO. UDT2001-1470 DRAWN: ATP 01/06/18 CHKD: LAURX 01/06/18 APPR: BIXLER 01/06/18	QUALITY SYMBOLS MAJOR: 0 CRITICAL: 0	GENERAL TOLERANCES: UNLESS SPECIFIED	SCALE: 1:1	DESIGN UNITS: mm	DIMENSIONS: mm	SHT	REV
		DRAWN BY & DATE: ATP 01/06/18	CHECKED BY & DATE: LAURX 01/06/18	APPROVED BY & DATE: BIXLER 01/06/18	TITLE: 8 ROW HSD DAUGHTERCARD ASSEMBLY SALES DRAWING	MATERIAL NO. SD-74680-022	DRAWING NO. SD-74680-022
REV: A	DRIFT WHERE APPLICABLE MUST REMAIN WITHIN DIMENSIONS	THIS DRAWING CONTAINS INFORMATION THAT IS PROPRIETARY TO MOLEX INCORPORATED AND SHOULD NOT BE USED WITHOUT WRITTEN PERMISSION.					