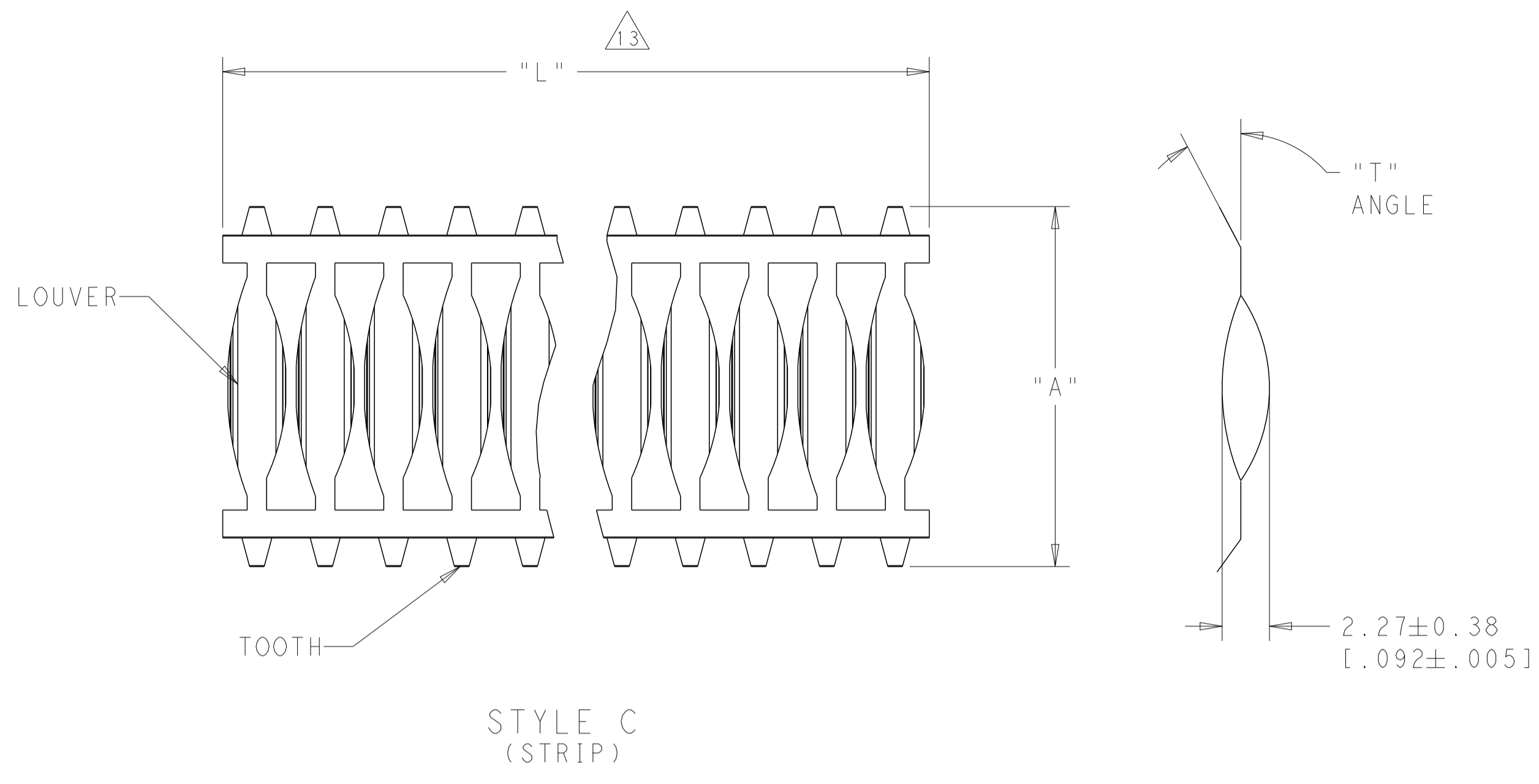
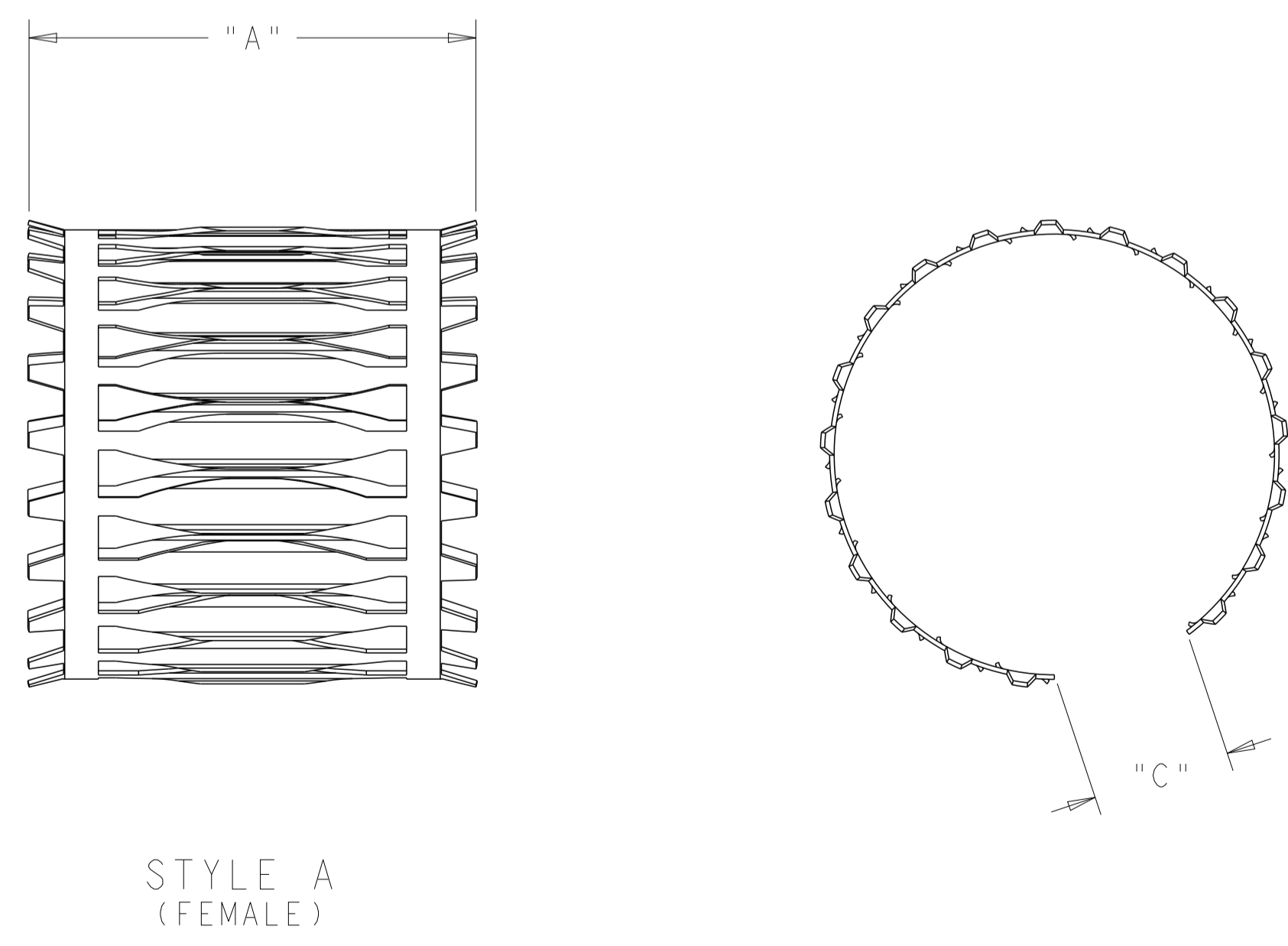


REVISIONS				
P	LTN	DESCRIPTION	DATE	APPD
L		REV PER ECO-10-018478	15SEP2010	RG DO
M		REV PER ECO-17-013721	21DEC2017	RS MZ



1. FINISH - SILVER PLATE 500μINCHES MIN THK.
2. FINISH - NICKEL PLATE 40μINCHES MIN THK
3. FINISH - GOLD PLATE 10μINCHES MIN THK.
- △4 LENGTH TO BE 7.6 INCHES
- △5 LENGTH TO BE 10.8 INCHES
6. PLATING NOTES ARE TO BE INTERPRETED AS FOLLOWS: 1-2 AS 1 OVER 2.
- △7 PRODUCT SOLD BY THE FOOT.
- △8 LENGTH 9.2 INCHES
- △9 LENGTH 8.0 INCHES
- △10 LENGTH 11.9 INCHES
- △11 PACKAGED 18 PCS PER BAG
- △12 DIMENSION "C" TO BE 6.0 INCHES MIN
- △13 PITCH: FIVE (5) LOUVERS PER INCH (NOMINAL)
- △14 LENGTH 5.438 INCHES REF 28 LOUVERS
15. FINISH - SILVER PLATE 200μINCHES MIN THK.
- △16 PRELIMINARY PART NUMBER
- △17 OBSOLETE PARTS: OBSOLETE CIS STREAMLINING PER D.RENAUD/D.SINISI
- △18 LENGTH 12.0 INCHES REFERENCE 62 LOUVERS
- △19 SPECIAL PACKAGING



△	STYLE	WIDTH A	NUMBER OF LOUVER	PLATING (NOTE NO)	TOOTH ANGLE	MAT'L THK	HUGIN PN	PART NUMBER
△19	C	25.91 [1.02]	△18	1-2	15	0.15 [0.008]	--	2-192000-3
OBSOLETE	C	25.91 [1.02]	△14	17-2	15	0.25 [0.010]	--	2-192000-2
	A	25.02 [0.98]	△10	UNPLATED	45	0.25 [0.010]	--	2-192000-1
	A	25.02 [0.98]	△9	UNPLATED	45	0.25 [0.010]	--	2-192000-0
	A	25.02 [0.98]	△8	1-2	45	0.25 [0.010]	--	1-192000-9
△12 △11	A	25.02 [0.98]	△8	UNPLATED	45	0.25 [0.010]	--	1-192000-8
△17	A	25.02 [0.98]	△5	1-2	45	0.25 [0.010]	--	1-192000-7
	A	25.02 [0.98]	△4	1-2	45	0.25 [0.010]	--	1-192000-6
	A	25.02 [0.98]	△5	UNPLATED	45	0.25 [0.010]	--	1-192000-5
	A	25.02 [0.98]	△4	UNPLATED	45	0.25 [0.010]	--	1-192000-4
OBSOLETE								1-192000-3
OBSOLETE								1-192000-2
OBSOLETE	C	25.02 [0.98]	△7	1-2	45	0.25 [0.010]	00009	1-192000-1
△17	OBSOLETE	C	25.02 [0.98]	△7	UNPLATED	45	0.25 [0.010]	00012 1-192000-0
OBSOLETE	C	25.91 [1.02]	△7	1-2	15	0.25 [0.010]	00006	192000-9
△17	OBSOLETE	C	25.91 [1.02]	△7	UNPLATED	15	0.25 [0.010]	00015 192000-8
OBSOLETE								192000-7
OBSOLETE								192000-6
OBSOLETE	C	25.02 [0.98]	△7	1-2	45	0.15 [0.006]	00018	192000-5
△17	OBSOLETE	C	25.02 [0.98]	△7	UNPLATED	45	0.15 [0.006]	00017 192000-4
	C	25.91 [1.02]	△7	3-2	15	0.15 [0.006]	00021	192000-3
	C	25.91 [1.02]	△7	1-2	15	0.15 [0.006]	00002	192000-2
OBSOLETE	C	25.91 [1.02]	△7	UNPLATED	15	0.15 [0.006]	00001	192000-1

THIS DRAWING IS A CONTROLLED DOCUMENT. DWG: TURNER/GRZYBOWSKI 15SEP2010
 CHK: D. ORRIS
 APD: GLASER/ORRIS 15SEP2010
 PRODUCT SPEC
 APPLICATION SPEC
 MATERIAL: - FINISH: - WEIGHT: -
 CUSTOMER DRAWING

STE TE Connectivity
 NAME: CONTACT BAND LAO FEMALE
 SIZE: A1 CAGE CODE: 00779 DRAWING NO: 192000
 SCALE: 3:1 SHEET 1 OF 1 REV M