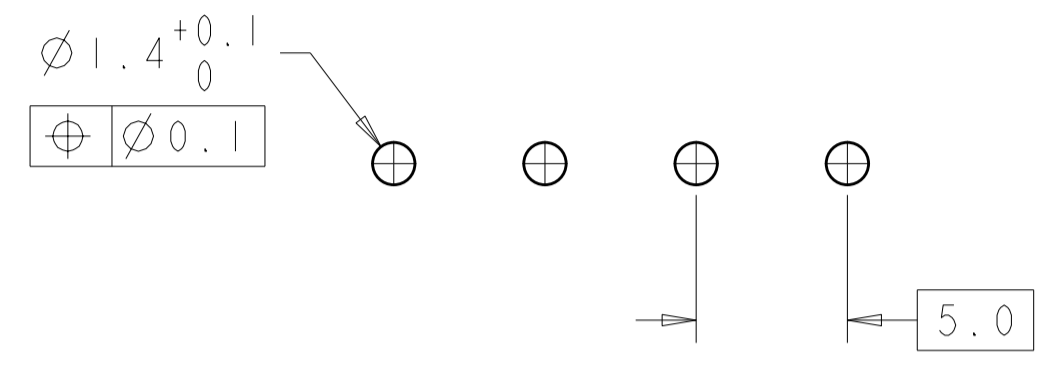
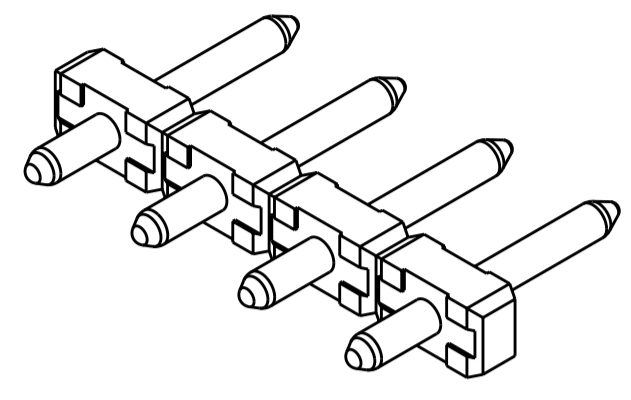
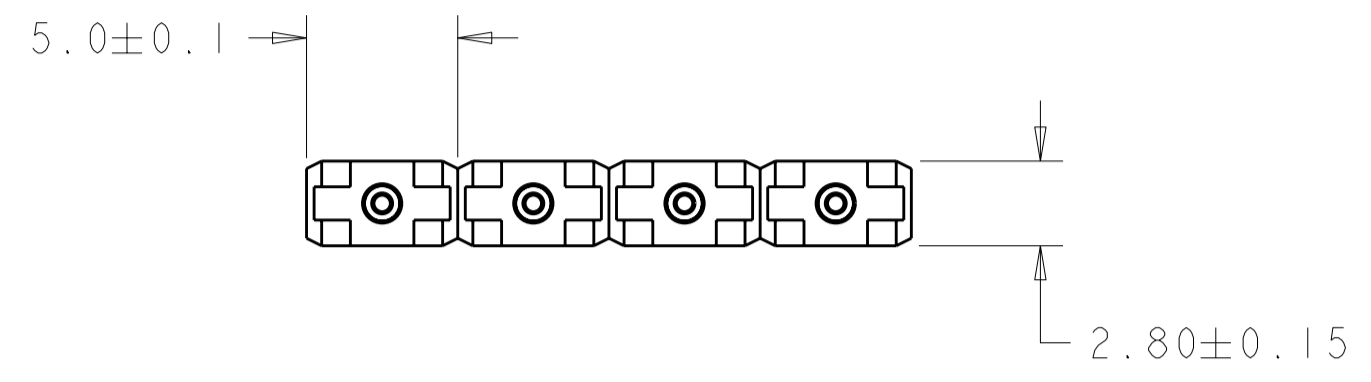


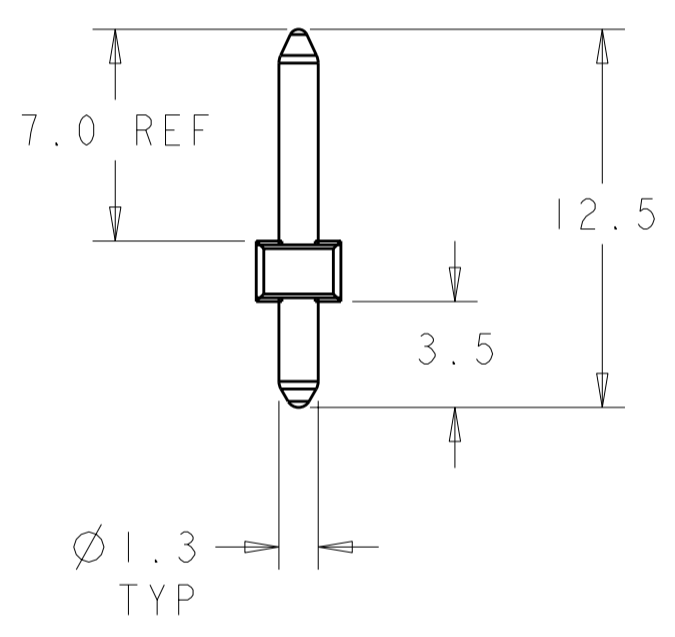
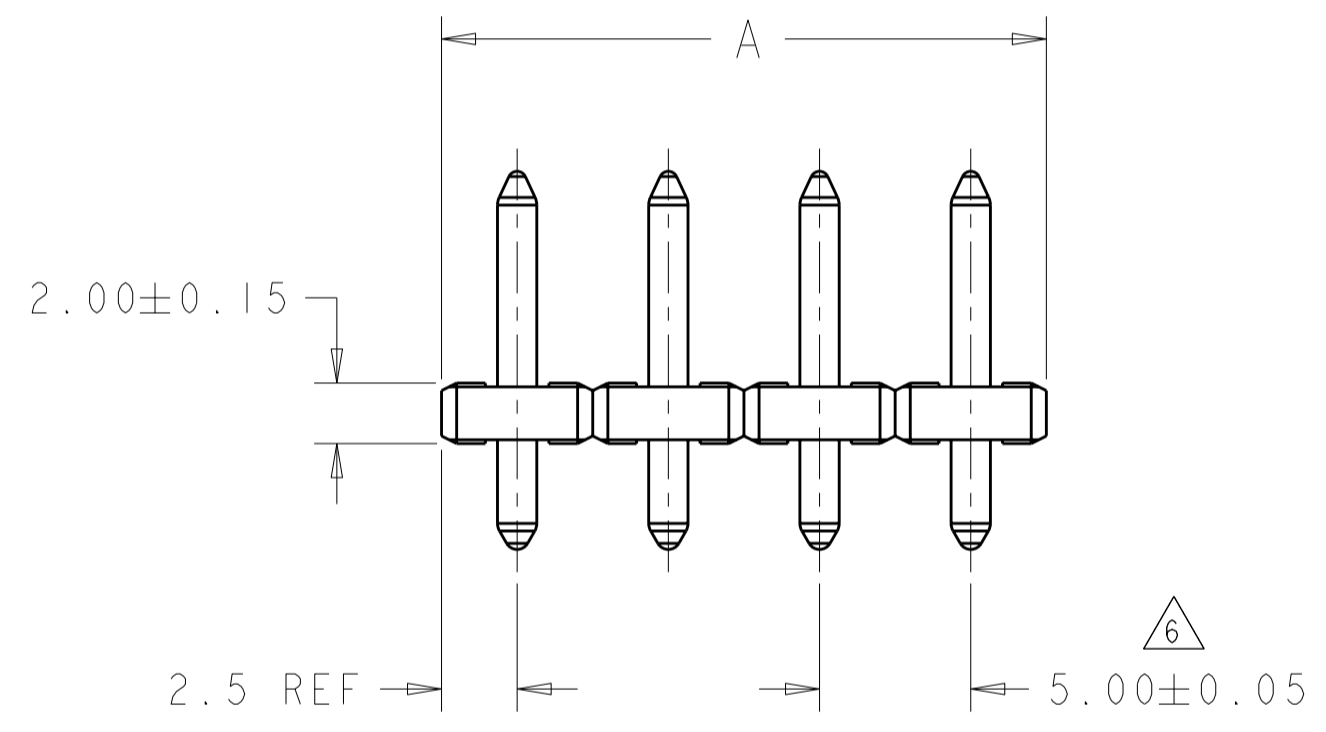
THIS DRAWING IS UNPUBLISHED. RELEASED FOR PUBLICATION 20
 © COPYRIGHT 20 Tyco Electronics AMP GmbH ALL RIGHTS RESERVED.

| LOC | DIST | REVISIONS | | | |
|-----|------|-------------|---------------------------|-----------|-------|
| P | LTR | DESCRIPTION | DATE | DWN | APVD |
| FT | 0 | AI | REVISED PER ECO-12-007964 | 02MAY2012 | KH MS |



1546214-4 AS SHOWN

RECOMMENDED PC BOARD LAYOUT



| | | |
|-----|------------|-------------|
| 125 | 25 | 2-1546214-5 |
| 120 | 24 | 2-1546214-4 |
| 115 | 23 | 2-1546214-3 |
| 110 | 22 | 2-1546214-2 |
| 105 | 21 | 2-1546214-1 |
| 100 | 20 | 2-1546214-0 |
| 95 | 19 | 1-1546214-9 |
| 90 | 18 | 1-1546214-8 |
| 85 | 17 | 1-1546214-7 |
| 80 | 16 | 1-1546214-6 |
| 75 | 15 | 1-1546214-5 |
| 70 | 14 | 1-1546214-4 |
| 65 | 13 | 1-1546214-3 |
| 60 | 12 | 1-1546214-2 |
| 55 | 11 | 1-1546214-1 |
| 50 | 10 | 1-1546214-0 |
| 45 | 9 | 1546214-9 |
| 40 | 8 | 1546214-8 |
| 35 | 7 | 1546214-7 |
| 30 | 6 | 1546214-6 |
| 25 | 5 | 1546214-5 |
| 20 | 4 | 1546214-4 |
| 15 | 3 | 1546214-3 |
| 10 | 2 | 1546214-2 |
| A | NO OF POSN | PART NUMBER |

1. MATERIALS AND FINISH:
 HOUSING: PA 6-6, UL 94-V0, COLOR: GRAY.
 TERMINAL: COPPER ALLOY, TIN PLATED.
2. SUITABLE FOR 1,6-2,4mm PC BOARD THICKNESS.
3. END-TO-END STACKABLE WITHOUT LOSS OF CENTERLINE SPACING.
4. RECOGNIZED UNDER THE COMPONENT PROGRAM OF UNDERWRITERS LABORATORIES INC. FILE N° E60677.
5. IMQ CERTIFICATE WITH SURVEILLANCE IN CONFORMITY WITH IEC 998-1/998-2-1.
6. NOT CUMULATIVE TOLERANCE.

| | | | | |
|--|--|----------------------------|---|--|
| THIS DRAWING IS A CONTROLLED DOCUMENT. | | DWN S. WELDON 27FEB2004 | TE Connectivity | |
| DIMENSIONS: mm | | CHK C. RICHARD 27FEB2004 | | |
| TOLERANCES UNLESS OTHERWISE SPECIFIED: | | APVD C. RICHARD 27FEB2004 | NAME: TERMINAL BLOCK, PIN HEADER, UNSHROUDED, 5.0mm PITCH | |
| 0 PLC ±- | | PRODUCT SPEC 108-20166 | SIZE: A2 | |
| 1 PLC ±.3 | | APPLICATION SPEC 114-20079 | CAGE CODE: 00779 | |
| 2 PLC ±.25 | | WEIGHT: - | DRAWING NO: 1546214 | |
| 3 PLC ±- | | RESTRICTED TO: - | | |
| 4 PLC ±- | | CUSTOMER DRAWING | | |
| ANGLES ±2 | | SCALE: 4:1 | | |
| FINISH | | SHEET 1 OF 1 | | |
| - | | REV: AI | | |