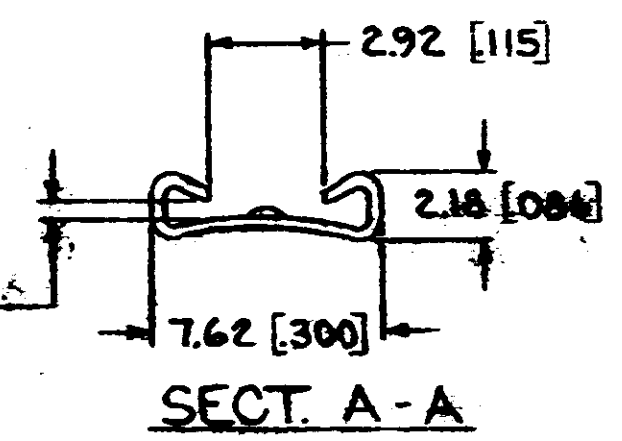
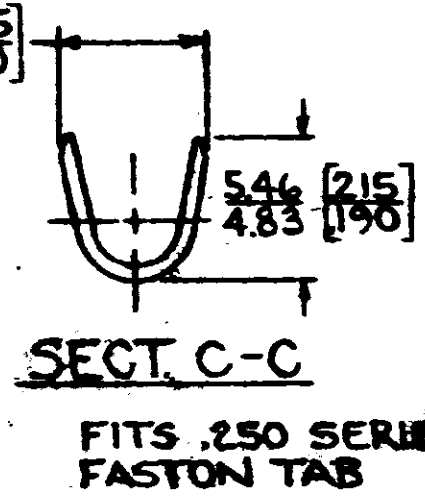
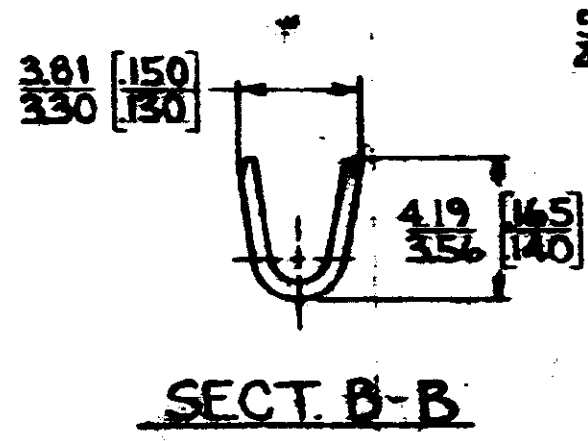
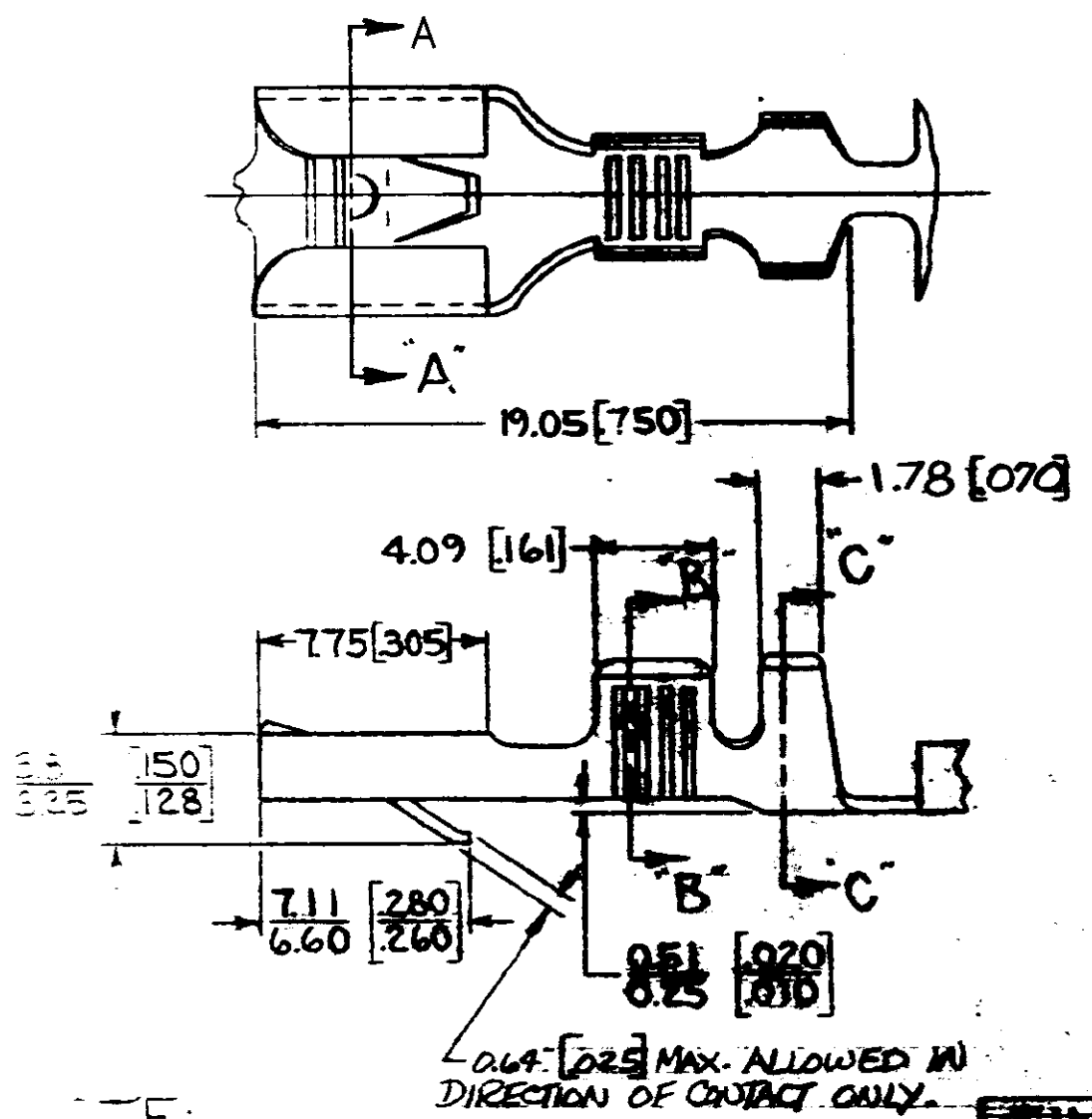


THIS DRAWING IS UNPUBLISHED. RELEASED FOR PUBLICATION . 19

Copyright © 1981 BY AMP INCORPORATED, HARRISBURG, PA. ALL INTERNATIONAL RIGHTS RESERVED. AMP PRODUCTS MAY BE COVERED BY U.S. AND FOREIGN PATENTS AND/OR PATENTS PENDING.

REVISIONS						
P	F	ZONE	LTR	DESCRIPTION	DATE	APPROVED
			B	REVISED PER ECR-13-005733	30AUG13	PD



NOTE:
CONTINUOUS STRIP ON REELS.
DIM. IN BRACKETS ARE IN INCHES.

FIN				63418-2
NONE	0.81 ^{+0.05} [0.32 ^{+0.001}]	08-20 ^{AWG} [18-14] OR (2) 0.8 ^{mm} [16]	2.29-4.45 [0.90-.175] OR 2.5 [100]	63418-1
FINISH	TAB THK.	WIRE RANGE	INSULATION RANGE	PART NO.

UNLESS OTHERWISE SPECIFIED DIMENSIONS ARE IN MILLIMETERS. TOLERANCES ON: DECIMALS ±0.30 [0.012] ANGLES ±	CONTRACT NO		TE TE Connectivity	
	DP	1-15-86		
	MATERIAL	BRASS	CHK	G. Yeter 1/20/86
	FINISH	SEE TABLE	APPRO	C. Meyer 1-20-86
NAME		SIZE	PSCM NO	DRAWING NO
250 SERIES FASTON FASTON RECEPTACLE		B	00779	63418
SCALE		SHEET		
NTS		1 of 1		

CUSTOMER DRAWING