

THIS DRAWING IS UNPUBLISHED. RELEASED FOR PUBLICATION 20
 © COPYRIGHT 20 BY TYCO ELECTRONICS CORPORATION. ALL RIGHTS RESERVED.

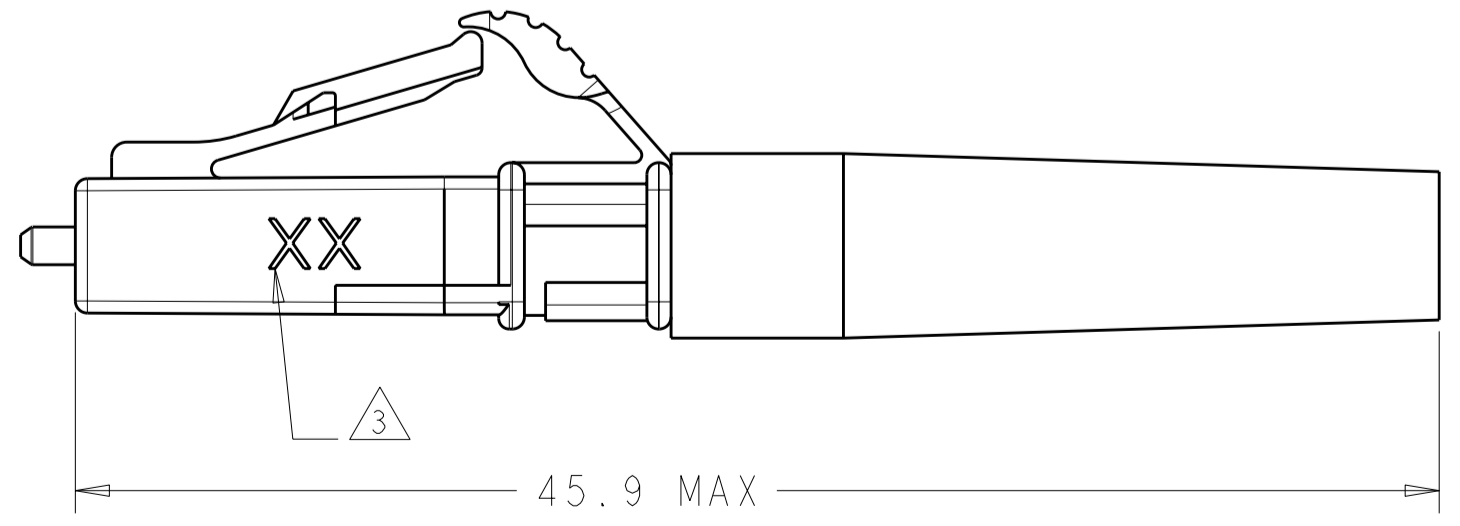
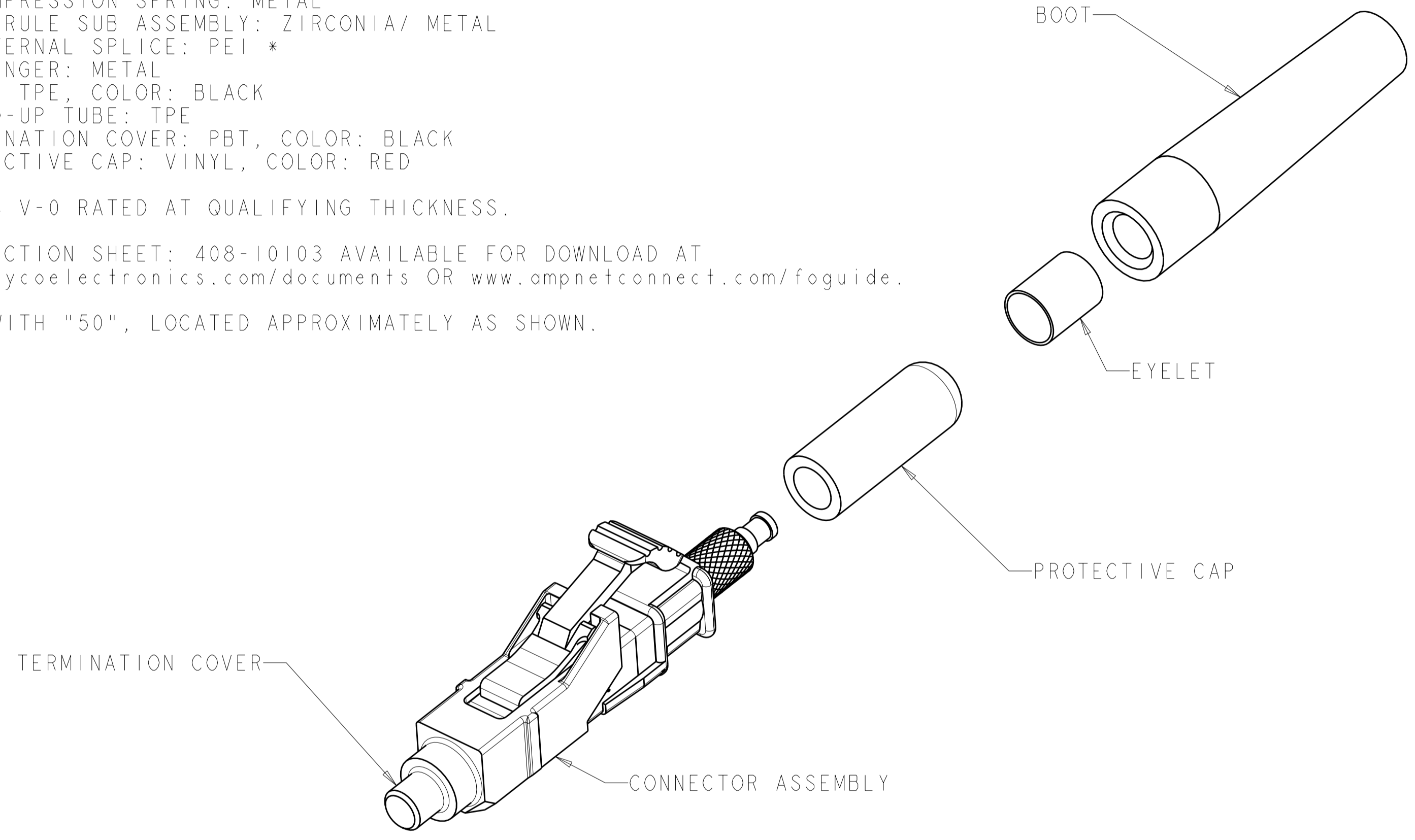
LOC	DIST	REVISIONS			
P	LTR	DESCRIPTION	DATE	DWN	APVD
CE	00				
	C	ECR-08-031868	29DEC2008	KG	SB
	CI	REVISE NOTE 2	16MAR2009	BB	SB

- 1 MATERIAL:
 CONNECTOR ASSEMBLY:
 CONNECTOR HOUSING: PPSU, COLOR: SEE -NO'S.*
 REAR BODY: METAL
 COMPRESSION SPRING: METAL
 FERRULE SUB ASSEMBLY: ZIRCONIA/ METAL
 INTERNAL SPLICE: PEI *
 PLUNGER: METAL
 BOOT: TPE, COLOR: BLACK
 BUILD-UP TUBE: TPE
 TERMINATION COVER: PBT, COLOR: BLACK
 PROTECTIVE CAP: VINYL, COLOR: RED

*UL94 V-0 RATED AT QUALIFYING THICKNESS.

2. INSTRUCTION SHEET: 408-10103 AVAILABLE FOR DOWNLOAD AT
www.tycoelectronics.com/documents OR www.ampnetconnect.com/foguide.

3 MARK WITH "50", LOCATED APPROXIMATELY AS SHOWN.



SLATE	1-1828857-0
ORANGE	1828857-9
VIOLET	1828857-8
BROWN	1828857-7
AQUA	1828857-6
ROSE	1828857-5
BLUE	1828857-4
GREEN	1828857-3
YELLOW	1828857-2
RED	1828857-1
KEYED HOUSING COLOR	PART NO.

<small>THIS DRAWING IS A CONTROLLED DOCUMENT FOR TYCO ELECTRONICS CORPORATION. IT IS SUBJECT TO CHANGE AND THE CONTROLLING ENGINEERING ORGANIZATION SHOULD BE CONTACTED FOR THE LATEST REVISION.</small>		DWN E MCCORMICK 15MAR2007 CHK D ERDMAN 15MAR2007 APVD D BAECHTLE 15MAR2007	Tyco Electronics Tyco Electronics Harrisburg, PA 17105-3608
DIMENSIONS: mm 	TOLERANCES UNLESS OTHERWISE SPECIFIED: 0 PLC ± 1 PLC ± 2 PLC ± 3 PLC ± 4 PLC ± ANGLES ± FINISH	PRODUCT SPEC APPLICATION SPEC WEIGHT	NAME KIT, CONNECTOR, LightCrimp Plus LC SECURE, SIMPLEX, MM50, 1.6-2.0mm JACKET
MATERIAL		CUSTOMER DRAWING	SIZE A2 CAGE CODE 00779 DRAWING NO. 1828857 RESTRICTED TO -
		SCALE 4:1	SHEET 1 OF 1 REV C1