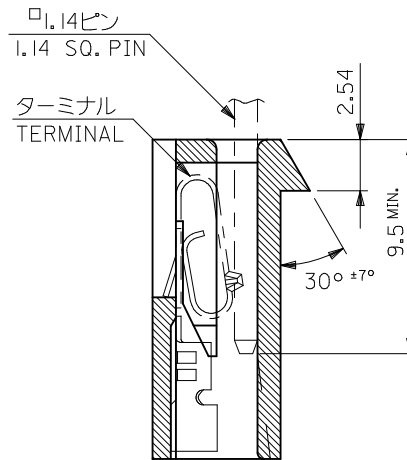
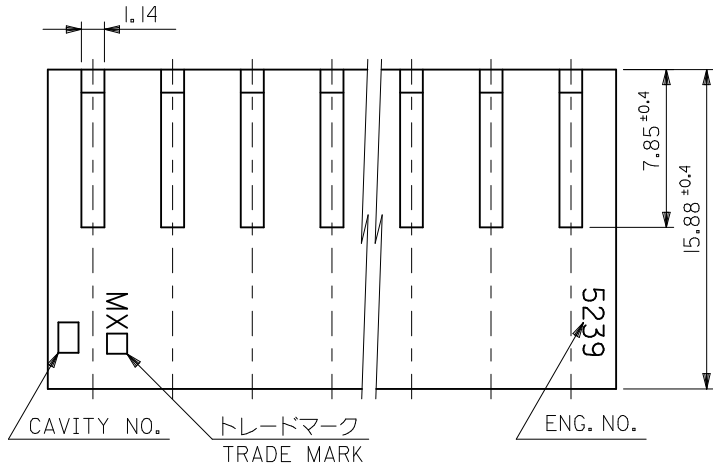


注記 NOTES

- 適合ターミナル : 2478,2578,5167,5168 シリーズ
APPLICABLE TERMINAL:2478,2578,5167,5168SERIES.
- 反り : 0.2/25.4 MAX.
CAMBER:0.2/25.4MAX.



SECT. C-C

48.06	43.56 ±0.25	09-52-4124	5239-12	12
40.14	35.64 ±0.25	▲ -4104	▲ -10	10
24.30	19.80 ±0.2	-4064	-06	6
20.34	15.84 ±0.15	-4054	-05	5
16.38	11.88 ±0.15	-4044	-04	4
12.42	7.92 ±0.15	▼ -4034	▼ -03	3
8.46	3.96 ±0.1	09-52-4024	5239-02	2
B	A	EDP NO.	ENG. NO.	極数 CKT.

REVISED EC NO: J2017-0534 DRAWINGS CHKD: APPR:MSASAO	2017/04/20	2017/05/26	GENERAL TOLERANCES (UNLESS SPECIFIED)		DIMENSION STYLE MM ONLY		SCALE 4:1	DESIGN UNITS METRIC	THIRD ANGLE PROJECTION	
	DESCRIPTION		0.25 UNDER	±	DRAWN BY H.HIRAMOTO	DATE 1989/09/15	TITLE KK 3.96 RECEPTACLE HSG			
			0.25 OVER	0.5 UNDER	±	CHECKED BY S.A/ M.F	DATE 1996/04/10			
			0.5 OVER	1.0 UNDER	±	APPROVED BY M.FUKUSHIMA	DATE 1996/04/10			
		0 OVER	10 UNDER	±0.2	MATERIAL NO.		DOCUMENT NO.	SHEET NO.		
		10 OVER	30 UNDER	±0.25	SEE CHART		SD-5239-N	1 OF 1		
		30 OVER		±0.3	THIS DRAWING CONTAINS INFORMATION THAT IS PROPRIETARY TO MOLEX ELECTRONIC TECHNOLOGIES, LLC AND SHOULD NOT BE USED WITHOUT WRITTEN PERMISSION					
		ANGULAR	±3 °							
			DRAFT WHERE APPLICABLE MUST REMAIN WITHIN DIMENSIONS							