

# XS230SAPAM12

Inductive proximity sensors XS, inductive sensor XS2 M30, L70mm, stainless, Sn22mm, 12...24 VDC, M12



## Main

|                                    |   |
|------------------------------------|---|
| Range of Product                   | Telemecanique Inductive proximity sensors XS                  |
| Series name                        | Application   |
| Sensor Type                        | Inductive proximity sensor                                    |
| Device Application                 | Food and beverage   |
| Market Segment                     | Pharmaceutical  |
| Sensor name                        | XS2   |
| Sensor design                      | Cylindrical M30   |
| Size                               | 70 mm   |
| Body type                          | Fixed   |
| Detector flush mounting acceptance | Non flush mountable   |
| Material                           | Stainless steel   |
| Type of output signal              | Discrete  |
| Wiring Technique                   | 3-wire  |
| [Sn] nominal sensing distance      | 0.87 in (22 mm)   |
| Discrete output function           | 1 NO  |
| Output circuit type                | DC  |
| Discrete output type               | PNP   |
| Electrical connection              | Male connector M12, 4 pins                                    |
| [Us] rated supply voltage          | 12...24 V DC reverse polarity protection                      |
| Switching capacity in mA           | <= 200 mA overload and short-circuit protection               |
| IP degree of protection            | IP67 conforming to IEC 60529<br>IP69K conforming to DIN 40050 |

## Complementary

|                        |                                 |
|------------------------|---------------------------------|
| Thread type            | M30 x 1.5                       |
| Detection face         | Frontal                         |
| Front material         | PPS                             |
| Enclosure Material     | Stainless steel 316 L           |
| Sensing range          | > 0.59...1.57 in (> 15...40 mm) |
| Operating zone         | 0.00...0.69 in (0...17.6 mm)    |
| Differential travel    | 1...15% of Sr                   |
| Status LED             | Output state 1 LED yellow)      |
| Supply voltage limits  | 10...36 V DC                    |
| Switching frequency    | <= 500 Hz                       |
| Maximum voltage drop   | <2 V closed)                    |
| Current consumption    | <= 10 mA no-load                |
| Maximum delay first up | 10 ms                           |
| Maximum delay response | 0.6 ms                          |
| Maximum delay recovery | 1.4 ms                          |
| Marking                | CE                              |
| Threaded length        | 1.42 in (36 mm)                 |
| Length                 | 2.76 in (70 mm)                 |
| Net Weight             | 0.32 lb(US) (0.145 kg)          |

## Environment

|                                       |   |
|---------------------------------------|---|
| Product Certifications                | UL<br>CSA                               |
| Ambient air temperature for operation | -13...185 °F (-25...85 °C)              |
| Ambient Air Temperature for Storage   | -40...185 °F (-40...85 °C)              |
| Vibration resistance                  | 25 gn +/- 2 mm 10...55 Hz)IEC 60068-2-6 |
| Shock resistance                      | 50 gn 11 ms IEC 60068-2-27              |

## Ordering and shipping details

|                       |                            |
|-----------------------|----------------------------|
| Category              | 22486 - SENSORS, PROXIMITY |
| Discount Schedule     | DS2                        |
| GTIN                  | 3389119113212              |
| Nbr. of units in pkg. | 1                          |
| Package weight(Lbs)   | 5.33 oz (151 g)            |
| Returnability         | No                         |
| Country of origin     | FR                         |

## Packing Units

|                              |                       |
|------------------------------|-----------------------|
| Unit Type of Package 1       | PCE                   |
| Package 1 Height             | 1.65 in (4.2 cm)      |
| Package 1 width              | 2.56 in (6.5 cm)      |
| Package 1 Length             | 3.74 in (9.5 cm)      |
| Unit Type of Package 2       | S01                   |
| Number of Units in Package 2 | 11                    |
| Package 2 Weight             | 4.12 lb(US) (1.87 kg) |
| Package 2 Height             | 5.91 in (15 cm)       |
| Package 2 width              | 5.91 in (15 cm)       |
| Package 2 Length             | 15.75 in (40 cm)      |
| Package 3 Height             | 5.91 in (15 cm)       |

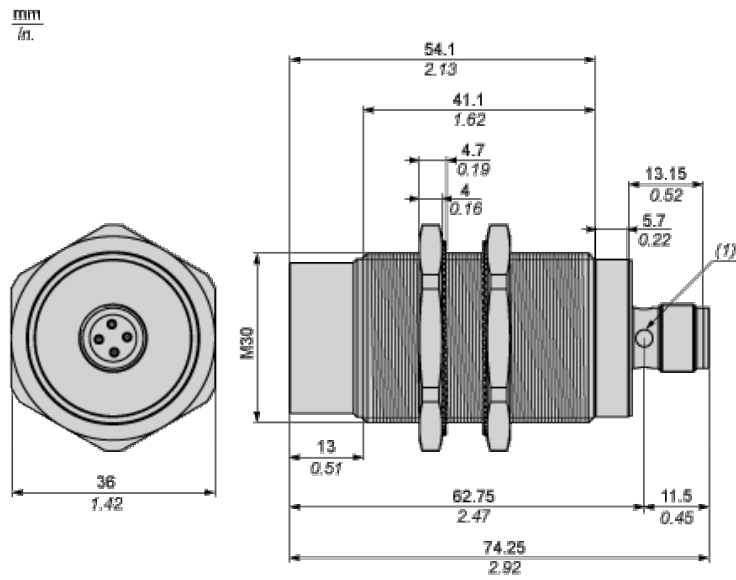
## Offer Sustainability

|                            |   |
|----------------------------|---|
| Sustainable offer status   | Green Premium product   |
| California proposition 65  | WARNING: This product can expose you to chemicals including: Diisononyl phthalate (DINP), which is known to the State of California to cause cancer, and Di-isodecyl phthalate (DIDP), which is known to the State of California to cause birth defects or other reproductive harm. For more information go to <a href="http://www.P65Warnings.ca.gov">www.P65Warnings.ca.gov</a> |
| REACH Regulation           | <a href="#">REACH Declaration</a>   |
| EU RoHS Directive          | Pro-active compliance (Product out of EU RoHS legal scope) <a href="#">EU RoHS Declaration</a>  |
| Mercury free               | Yes   |
| RoHS exemption information | <a href="#">Yes</a>   |
| Environmental Disclosure   | <a href="#">Product Environmental Profile</a>   |
| Circularity Profile        | <a href="#">End Of Life Information</a>   |

## Contractual warranty

|          |           |
|----------|-----------|
| Warranty | 18 months |
|----------|-----------|

Dimensions



(1) LED

---

Minimum Mounting Distances in mm

---

Side by side



e (1) 120 mm/4.72 in.

≥

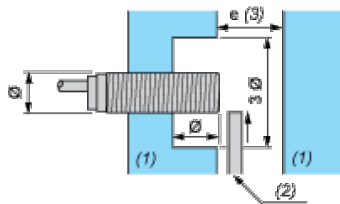
Face to face



e (2) 264 mm/10.39 in.

≥

Facing a metal object



e (3) 66 mm/2.60 in.

≥

(4) Metal

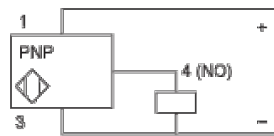
(5) Object to be detected

## Wiring Schemes

M12 connector



PNP



- 1 : (+)
- 2 : Not connected
- 3 : (-)
- 4 : NO Output