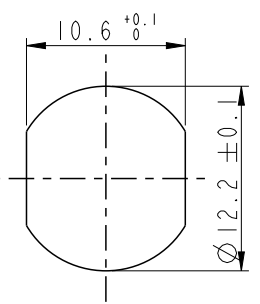
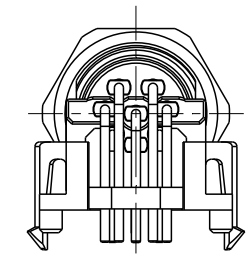
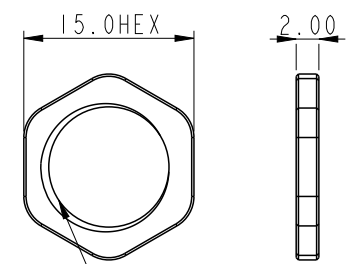
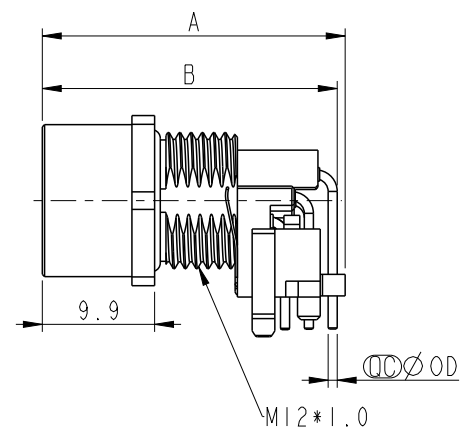
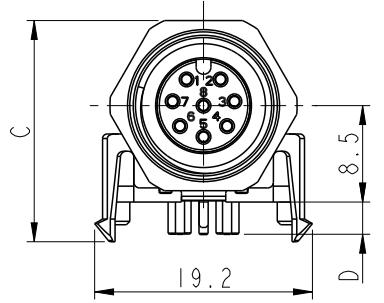
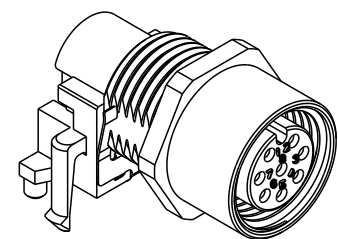
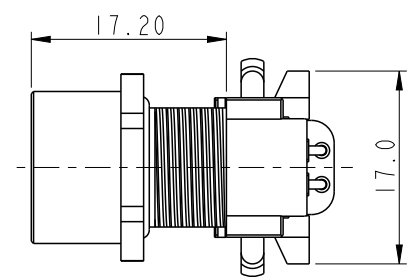


THIS DOCUMENT IS SUBJECT TO CHANGE WITHOUT NOTICE. IT IS CONFIDENTIAL AND A PROPERTY OF Amphenol LTW. DISCLOSURE TO THIRD PARTY HAS TO BE AUTHORIZED BY Amphenol LTW.

| REV. | ECN NO. | DATE | SIGN | DESCRIPTION |
|------|---------|------------|------|-------------|
| A | | 2022/03/07 | Leon | New Initial |
| | | | | |



Recommended Panel Cut-Out

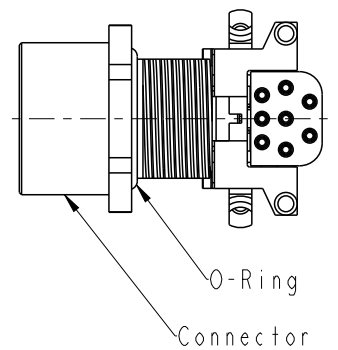


M12*1.0

MSAS-XXPFFR-SH7003

XX: No. Of Pin

| MSAS-03PFFR-SH7003 | 26.9 | 25.8 | 19.2 | 2.52 | 1.0 |
|--------------------|------|------|------|------|-----|
| MSAS-04PFFR-SH7003 | 26.9 | 25.8 | 19.2 | 2.52 | 1.0 |
| MSAS-05PFFR-SH7003 | 26.9 | 25.8 | 19.2 | 2.52 | 1.0 |
| MSAS-08PFFR-SH7003 | 26.7 | 26.0 | 19.5 | 2.87 | 0.8 |
| Item No. | A | B | C | D | OD |



O-Ring

Connector

Note:

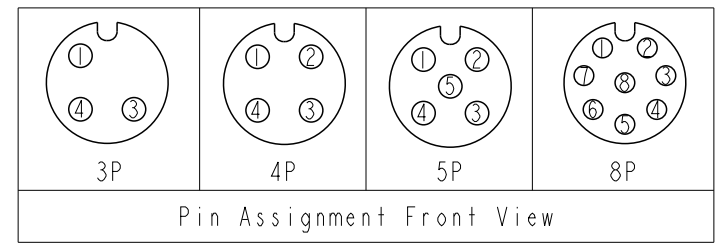
- * RoHS Compliant
- * Important dimension
- * Waterproof rate: IPX7, mated
- * Connector
 - Housing: Thermoplastic, Black
 - Pin: Copper alloy, Gold plated
 - Gasket: Rubber, Black
 - Shield: Metal
 - Nut: Metal
 - O-Ring: Rubber, Gray
- * For panel thickness max: 3.0mm
- * For pcb thickness max: 1.6mm
- * Nut is packed separately in pe bag

| | | | | | |
|------------|------------|----------|--|-----------------|--------------|
| UNIT: mm | | | TITLE N SEN, M12 A, SCREW RECEPTACLE, F, F, PCB R | | |
| TOLERANCE | .X ±0.25 | .XX ±0.1 | SCALE 3:2 | SIZE A4 | SHEET 1 OF 2 |
| .XXX ±0.05 | ANGLES ±1° | REV. A | WC-REV. A.3 | Inspection item | |

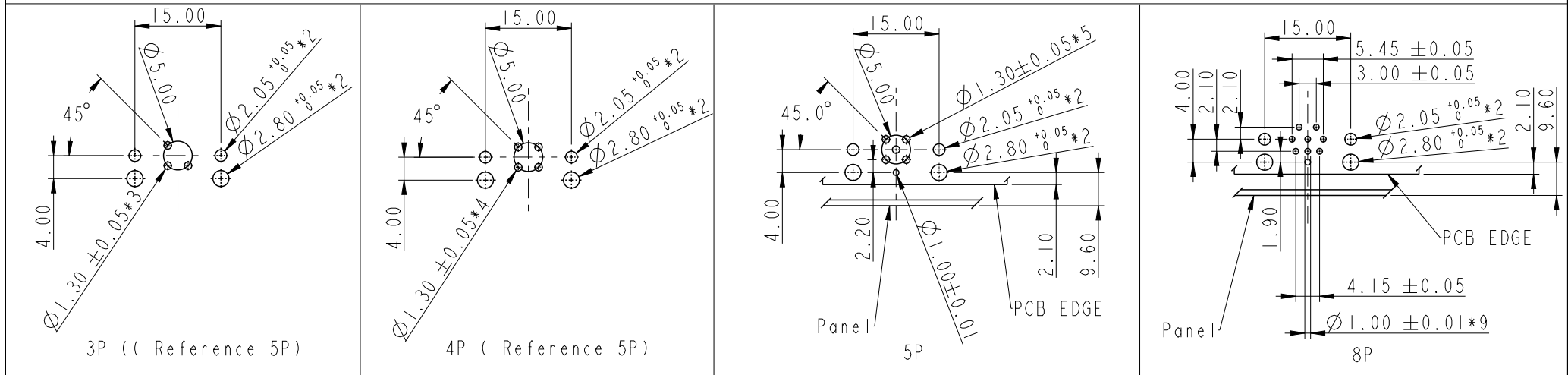
Amphenol LTW
安費諾亮泰企業股份有限公司

| | | |
|----------|-------------|------------|
| ITEM NO. | DRAWN BY | DATE |
| DWG NO. | CHECKED BY | DATE |
| CUSTOMER | APPROVED BY | DATE |
| ALTW | Neo | 2022/03/07 |

THIS DOCUMENT IS SUBJECT TO CHANGE WITHOUT NOTICE. IT IS CONFIDENTIAL AND A PROPERTY OF Amphenol LTW. DISCLOSURE TO THIRD PARTY HAS TO BE AUTHORIZED BY Amphenol LTW.



PCB Layout



| | | |
|-----------|------|-------|
| UNIT: mm | | |
| TOLERANCE | .X | ±0.25 |
| | .XX | ±0.1 |
| | .XXX | ±0.05 |
| ANGLES | | ±1° |

| | | | |
|---|-----|---------|-----------------|
| TITLE N SEN, M12 A, SCREW RECEPTACLE, F, F, PCB R | | | |
| SCALE | 3:2 | SIZE | A4 |
| | | SHEET | 2 OF 2 |
| REV. | A | WC-REV. | A.3 |
| | | | Inspection item |

Amphenol LTW
安費諾亮泰企業股份有限公司

| | |
|----------|--------------------|
| ITEM NO | DWG NO |
| | MSAS-XXPFFR-SH7003 |
| CUSTOMER | ALTW |

| | |
|-------------|------------|
| DRAWN BY | CHECKED BY |
| Leon | Wen |
| APPROVED BY | |
| Neo | |

| | |
|------------|------------|
| DATE | DATE |
| 2022/03/07 | 2022/03/07 |
| DATE | DATE |
| 2022/03/07 | 2022/03/07 |