



# AS7210 Smart Daylighting Manager

## Standalone daylight sensing and integrated luminaire management

AS7210 is a highly-integrated Smart Lighting Manager with an embedded digital ambient light sensor (ALS). This provides single-device, closed-loop and automatic adjustment of the brightness of florescent and LED lamps and luminaires to maintain constant lux in response to available daylight. For streamlined system integration, luminaire control is through direct connection to 0-10V dimmers, with control outputs that include direct PWM to LED drivers or analog 0-10V to standard dimming ballasts.

### Key Features

- Photopic sensor for accurate LUX control
- Compatible with standard dimmer, occupancy controls and ballasts
- Built-in PWM generator for precise 1% dimming
- 2.3 x 2.5mm WLCSP package, 5 x 5mm LGA

### Key Benefits

- Automatic daylighting
- Direct 0-10V inputs/outputs
- Direct PWM interfaces
- Choice of compact 20-pin packages

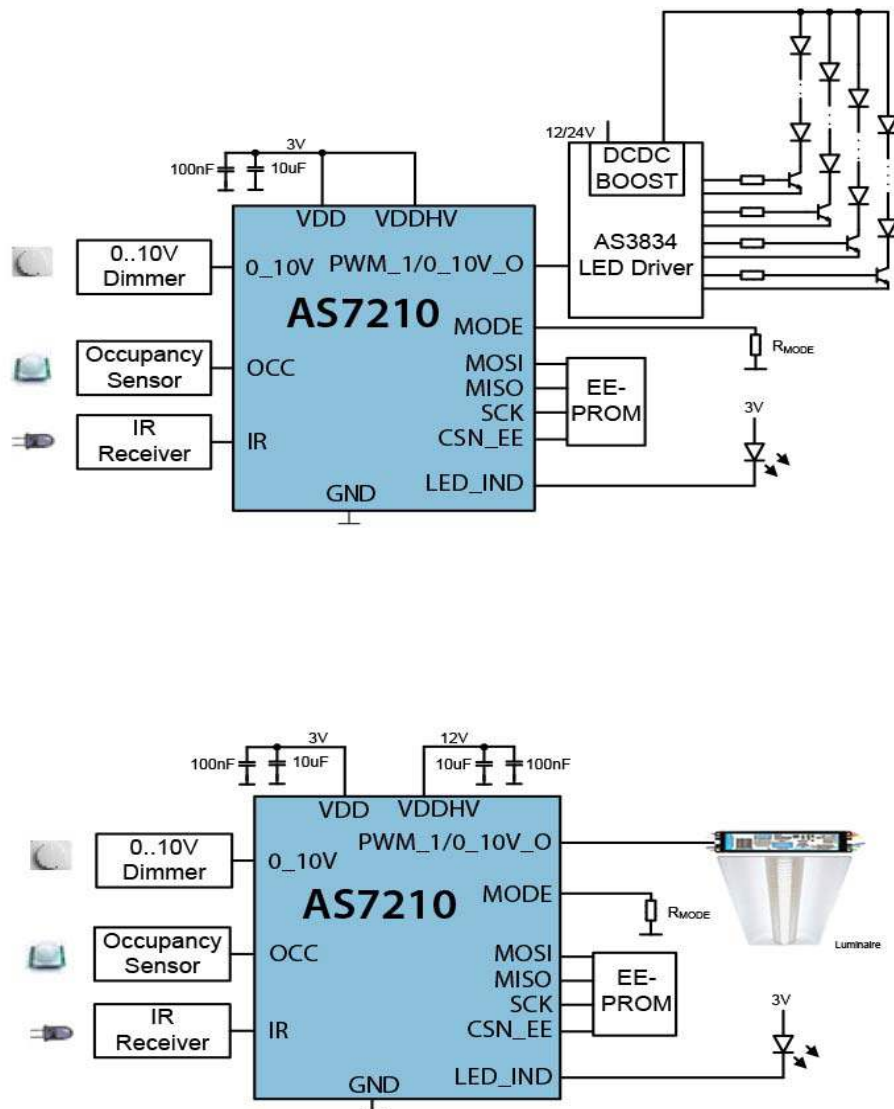
### Product Facts

Sensor Type	Photopic Ambient Light
Application	Retrofit Daylighting
UART	No
Reference Networking	n/a
Smart Ltg Command Set	n/a
Lux/CCT Control	Lux hold
I <sup>2</sup> C	Master
Package	TSV (2x2) LGA(5x5)

## Applications

Sense ambient light, dim and maintain brightness of luminaires and lamps in local loop control, automatic lumen maintenance, and simple control of luminaires and lamps.

- LED and florescent luminaires, troffers, high-bays
- Tack-head and downlights
- LED and florescent replacement lamps



Blockdiagram for AS7210 Smart Daylighting Manager