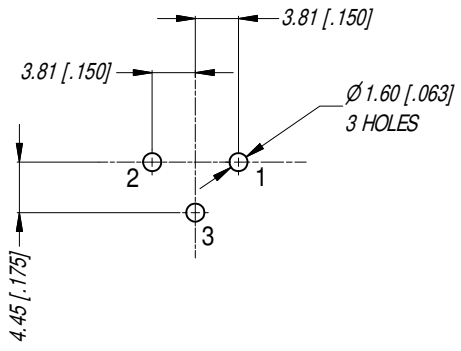


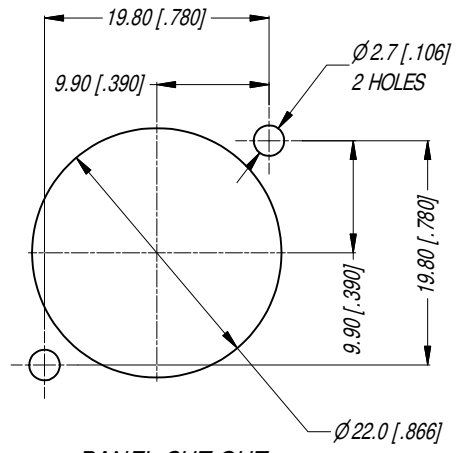
MIN MOUNTING PITCH (1:1)



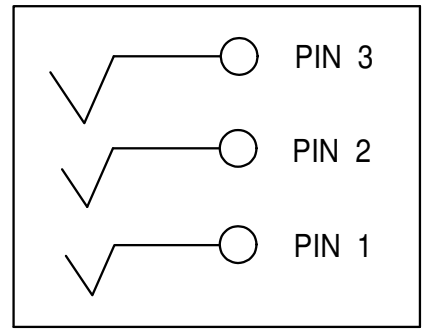
PCB LAYOUT

LAYOUT TOLERANCE : ± 0.05 [± .002 in]

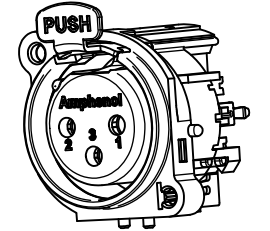
NOTE: DIMENSIONS IN PARENTHESES ARE IN INCHES.



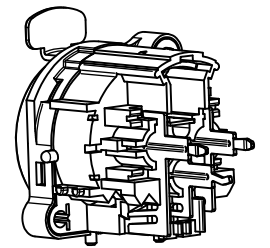
PANEL CUT OUT
REAR VIEW



SCHEMATIC CHART



3D VIEW (1:1)



NOTE: SUFFIX "B" IN THE PART No. INDICATES BULK PACK.

UNLESS OTHERWISE SPECIFIED TOLERANCE TO BE:		THIS DOCUMENT IS THE PROPERTY OF AMPHENOL AUSTRALIA PTY. LTD. NO PART THEREOF MAY BE REPRODUCED AND USED WITHOUT THE PRIOR WRITTEN CONSENT OF THE OWNER			
LINEAR	ANGULAR	CAD FILE: 55010467000221	DRN: T.N	DATE: 17/04/07	TITILE: XLR FEMALE B TYPE CONNECTOR CUSTOMER DWG
X ±	X° ± 1		CKD: P.M	DATE: 07/04/09	
X.X ±	X.X° ± 30'		APP'D: P.M	DATE: 07/04/09	
BREAK ALL SHARP EDGES AND REMOVE ALL BURRS		MATL: REFER TO COMPONENTS			
DO NOT SCALE		FINISH: REFER TO COMPONENTS			
DIMENSIONS IN MILLIMETRES		THIRD ANGLE PROJECTION	SCALE: 3:2	PART No: AC3FBV-AU-B	SIZE: A4

REV	DESCRIPTION	DATE	BY	CHG NO
2	ADD SUFFIX B TO PART No.	27/08/15	T.N	9318
1	CHANGE NEW LEVER & LATCH SPRING	18/12/08	A.O	8793
0	FIRST ISSUE	03/09/07	T.N	8686

Amphenol	
Amphenol Australia Pty.Ltd. 2 Fiveways Blvd. Keysborough, Vic3173	
DRAWING NO. 55010467-000-2	SHEET 2/2