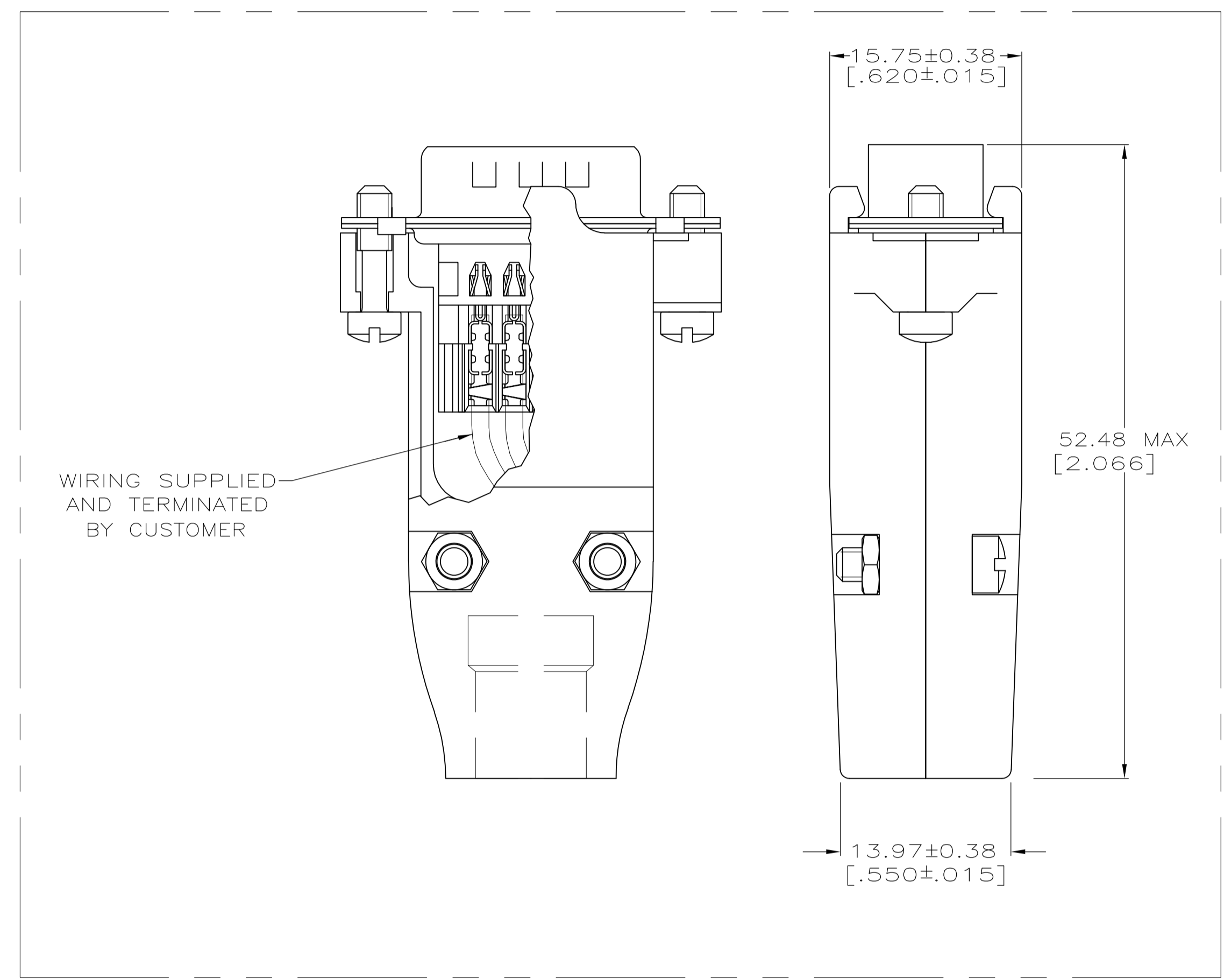
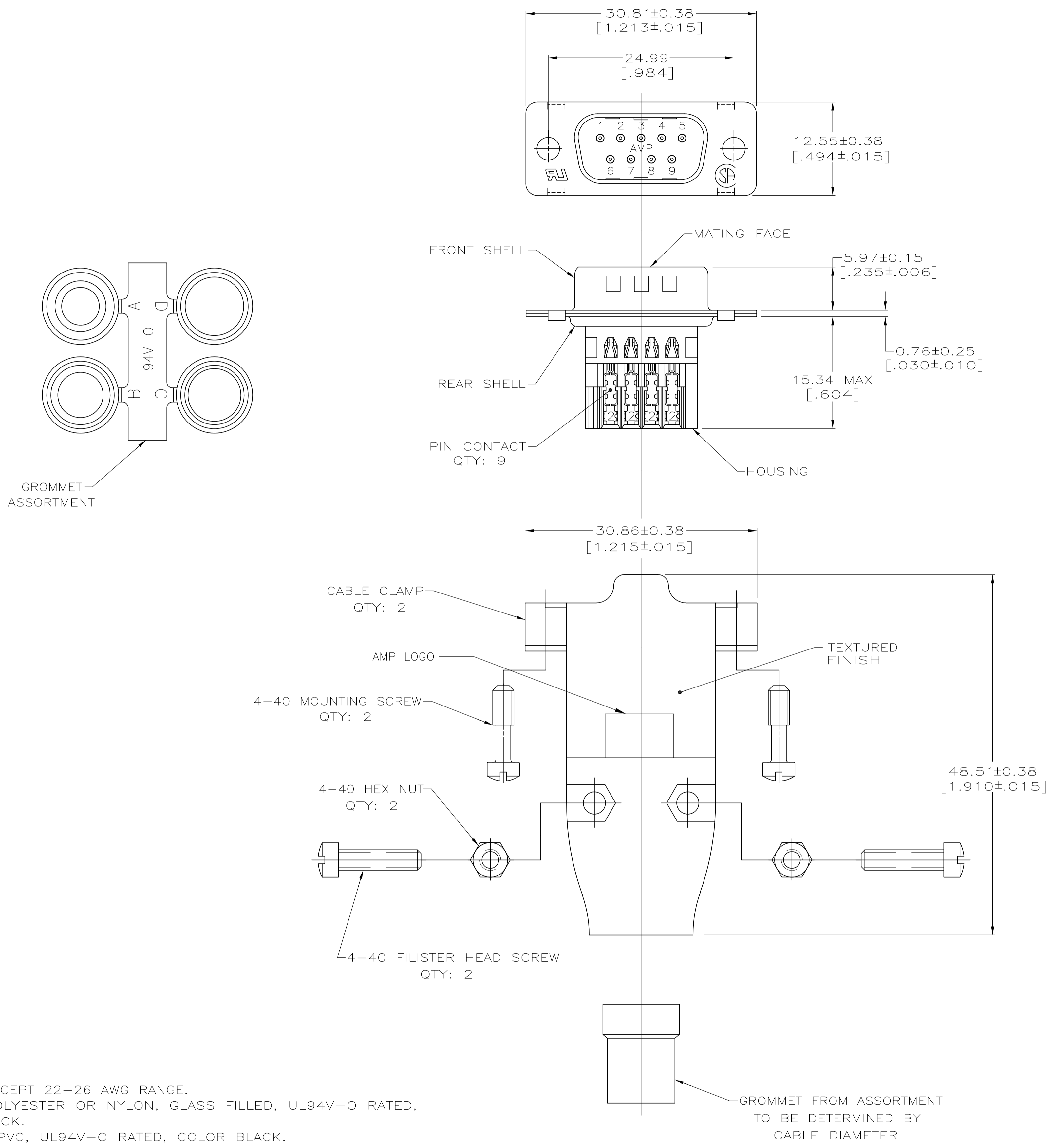


LOC	DIST	REVISIONS			
P	LTR	DESCRIPTION	DATE	DN	APVD
A		REVISED PER EOC-08-004975	3MAR08	JDP	CWR



ASSEMBLED VIEW

- 1. CONTACTS ACCEPT 22-26 AWG RANGE.
- △ HOUSING: POLYESTER OR NYLON, GLASS FILLED, UL94V-0 RATED, COLOR BLACK.  
GROMMETS: PVC, UL94V-0 RATED, COLOR BLACK.  
CONTACTS: PHOSPHOR BRONZE.  
SHELLS: CARBON STEEL.  
CABLE CLAMPS: ZINC.  
SCREWS & NUTS: CARBON STEEL.
- ③ CONTACTS: GOLD FLASH FOR A LENGTH OF 3.81[.150] MIN FROM MATING END 2.54µm[.000100] MIN TIN ON OPPOSITE END FOR A LENGTH OF 6.60[.260] MIN, BOTH OVER 0.76µm[.000030] NICKEL ON ENTIRE CONTACT.  
SHELLS: 5.08µm[.000200] MIN TIN OVER 1.27µm[.000050] MIN COPPER.  
MOUNTING SCREWS & NUTS: 3.81µm[.000150] MIN ZINC, CLEAR CHROMATE COATED.  
FILISTER HEAD SCREWS: ZINC, CLEAR CHROMATE COATED.
- △ CABLE CLAMPS: NICKEL OVER COPPER.

749810-7  
PART NUMBER

THIS DRAWING IS A CONTROLLED DOCUMENT.		DIN J.GERACE 22MAR06	Tyco Electronics Corporation Harrisburg, PA 17105-3608	
DIMENSIONS: INCHES		CIK C.ROHDE 22MAR06	NAME M.WALMSLEY 22MAR06	
TOLERANCES UNLESS OTHERWISE SPECIFIED:		PRODUCT SPEC 108-40011		
0. PLC ± -		APPLICATION SPEC 114-40003		
1. PLC ± -		SIZE A1		
2. PLC ± 0.13 [.005]		CAGE CODE 00779		
3. PLC ± -		DRAWING NO. 749810-7		
4. PLC ± -		RESTRICTED TO		
ANGLES ± -		WEIGHT -		
MATERIAL △		CUSTOMER DRAWING		
FINISH △/△		SCALE 3:1 SHEET 1 OF 1 REV A		