

F

E

D

C

B

A

F

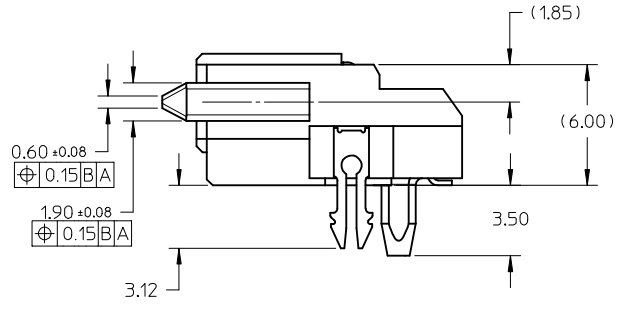
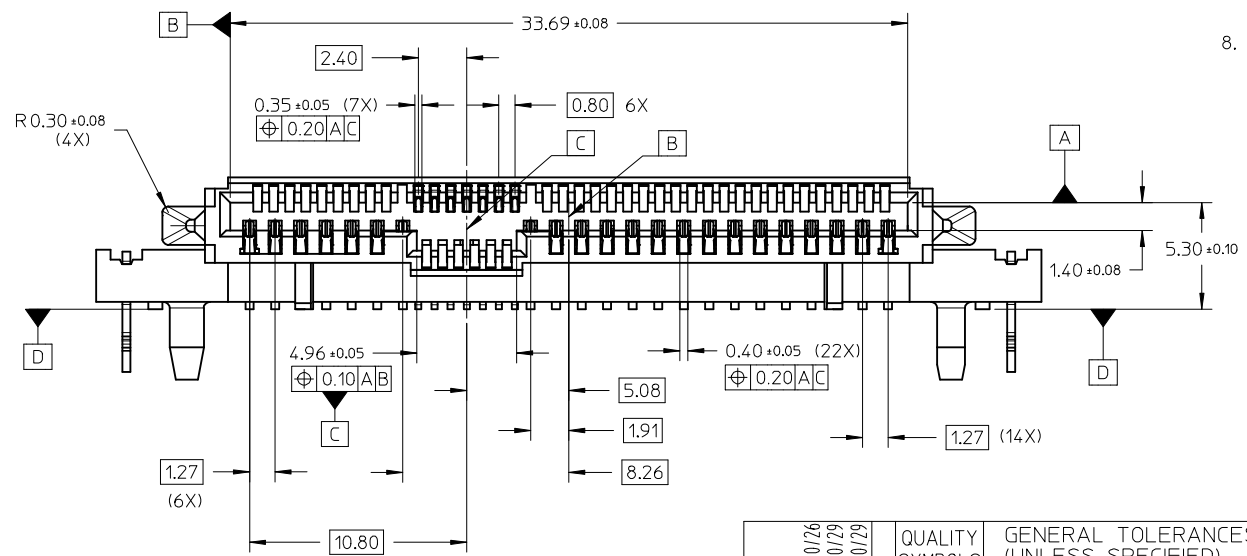
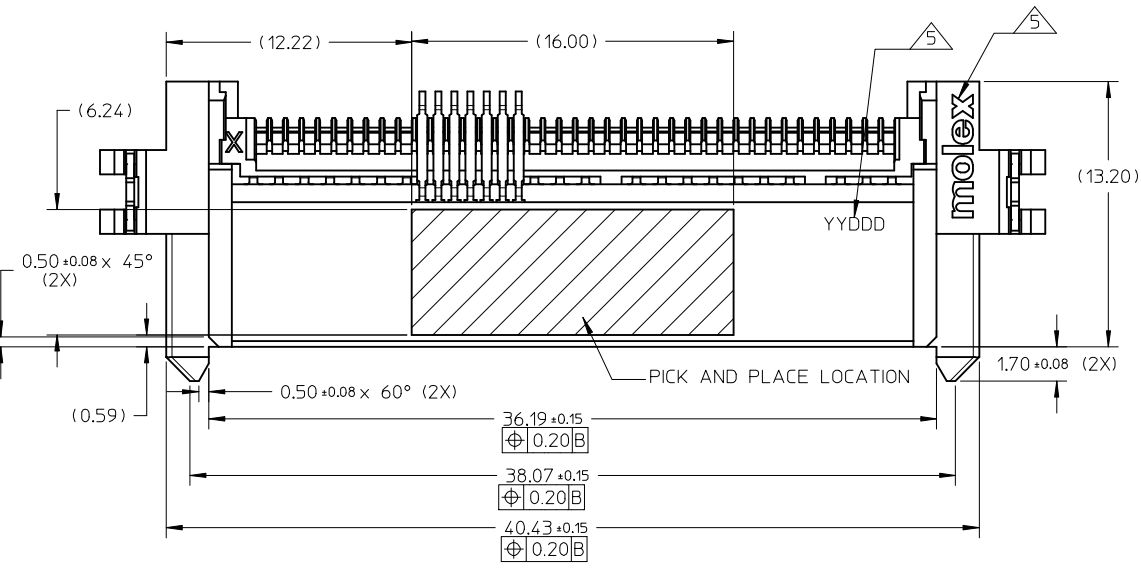
E

D

C

B

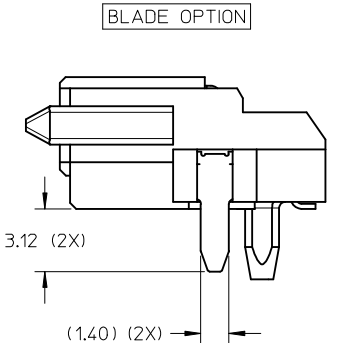
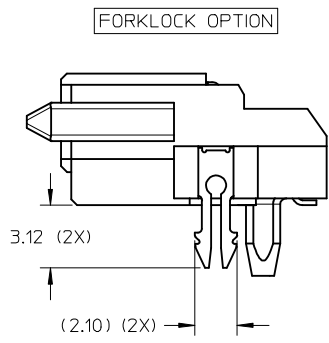
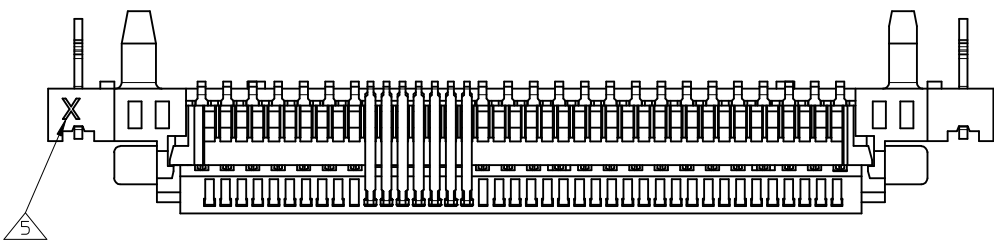
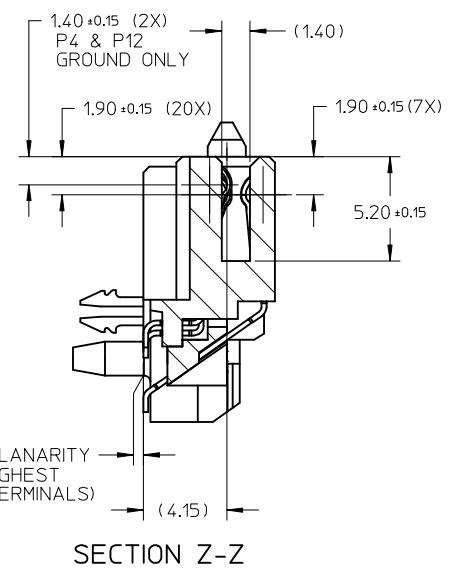
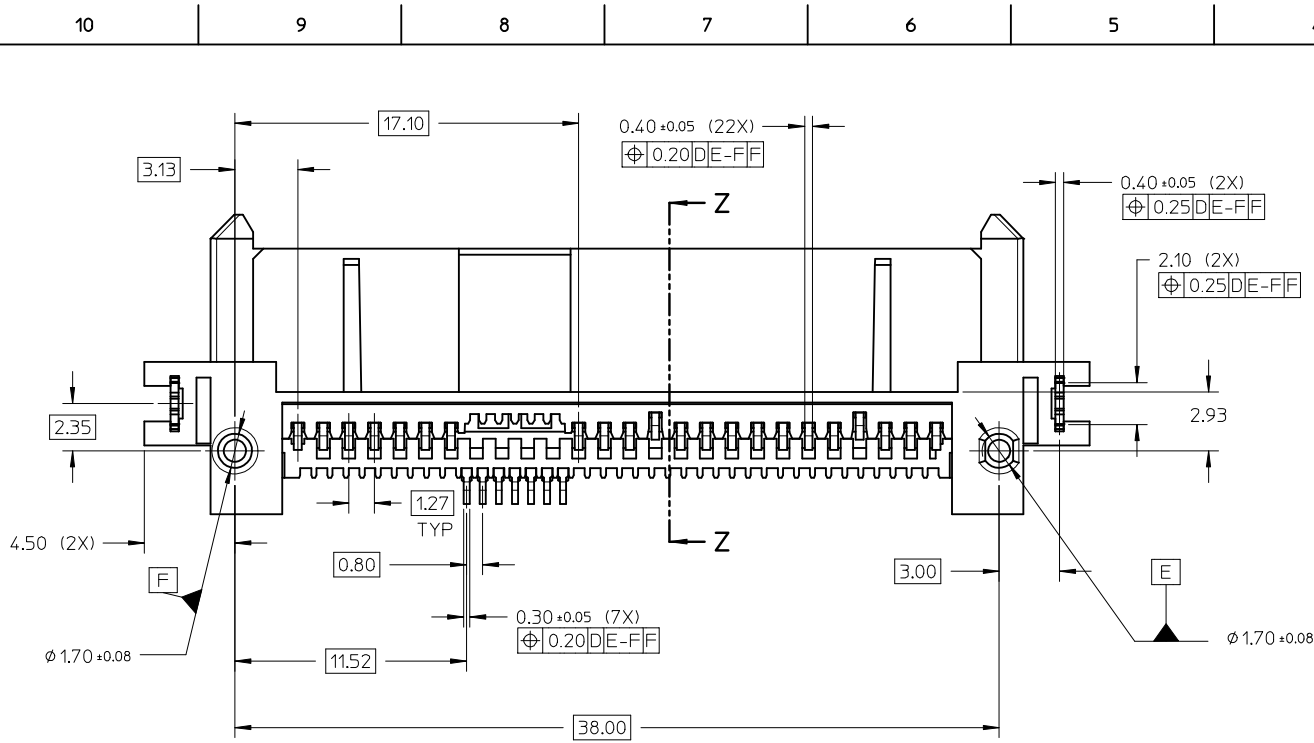
A



NOTES:

- MATERIAL
HOUSING: LIQUID CRYSTALLINE POLYMER,
GLASS FILLED, UL 94V-0, COLOR: BLACK
TERMINAL: COPPER ALLOY
FORKLOCK: COPPER ALLOY
- FINISHES:
TERMINAL CONTACT: 0.76µm MIN. SELECTIVE GOLD OVER 1.27µm MIN. NICKEL UNDERPLATE
TERMINAL SOLDER TAIL: 2.54µm MIN. TIN OVER 1.27µm MIN. NICKEL UNDERPLATE
FORKLOCK: 2.54µm MIN. TIN OVER 1.27µm MIN. NICKEL UNDERPLATE
- PRODUCT SPECIFICATION: PS-151002-0001
- PACKAGING SPECIFICATION : SEE TABLE
- MOLEX LOGO, SERIES NUMBER, CAVITY ID AND DATE CODE LOCATED APPROXIMATELY AS SHOWN
- NON FUNCTIONAL CORE HOLE MAY VARY
- PRODUCT IS COMPLIANT TO RoHS DIRECTIVE WITH THE FOLLOWING BANNED SUBSTANCES - LEAD, MERCURY, CADMIUM, HEXAVALENT CHROMIUM, POLYBROMINATED BIPHENYLS AND POLYBROMINATED DIPHENYL ETHERS.
- REFER TO AS-151002-0001 FOR PCB ROUTING RECOMMENDATIONS.

ADD PN EC NO: S2016-0392 DRW: BOKOK CHKD: SHONG APPR: SHLENI REV 6	QUALITY SYMBOLS F=0 E=0 P=0	GENERAL TOLERANCES (UNLESS SPECIFIED)		DIMENSION STYLE MM ONLY		SCALE NTS	DESIGN UNITS METRIC	THIRD ANGLE PROJECTION	
		4 PLACES	± ---	± ---	DRAWN BY	DATE	TITLE		
		3 PLACES	± ---	± ---	CHECKED BY	DATE	SAS RECEPTACLE, RIGHT ANGLE SMT, 4.15MM HEIGHT		
		2 PLACES	± 0.20	± ---	APPROVED BY	DATE	molex DOCUMENT NO. SD-151002-0001 SHEET NO. 1 OF 3		
		1 PLACE	± ---	± ---	BOKOK	2013/08/16			
		0 PLACE	± ---	± ---	MATERIAL NO.		SEE TABLE		
DRAFT WHERE APPLICABLE MUST REMAIN WITHIN DIMENSIONS		ANGULAR ± 1 °		THIS DRAWING CONTAINS INFORMATION THAT IS PROPRIETARY TO MOLEX INCORPORATED AND SHOULD NOT BE USED WITHOUT WRITTEN PERMISSION					



PART NO.	HOLD DOWN OPTION	PACKAGING SPECIFICATION	QUANTITY
151002-0001	FORKLOCK	PK-151002-0001 (TRAY)	25 PCS/TRAY
151002-0004	BLADE		
151002-0005	FORKLOCK	PK-151002-0002 (TAPE & REEL)	200 PCS/REEL
151002-0003	BLADE		

ADD PN
 EC NO: S2016-0392
 2015/10/26
 DRWN: BOKOK
 2015/10/29
 CHKD: SHONG
 2015/10/29
 APPR: SILENI

QUALITY SYMBOLS
 $F_A=0$
 $F_E=0$
 $F_P=0$

GENERAL TOLERANCES (UNLESS SPECIFIED)

	mm	INCH
4 PLACES	± ---	± ---
3 PLACES	± ---	± ---
2 PLACES	± 0.20	± ---
1 PLACE	± ---	± ---
0 PLACE	± ---	± ---

ANGULAR ± 1°
 DRAFT WHERE APPLICABLE
 MUST REMAIN WITHIN DIMENSIONS

DIMENSION STYLE
MM ONLY

DRAWN BY	DATE
LKCHEW	2013/07/03
CHECKED BY	DATE
WJYAP	2013/07/24
APPROVED BY	DATE
BOKOK	2013/08/16

MATERIAL NO.
SEE TABLE

SCALE
NTS

DESIGN UNITS
METRIC

THIRD ANGLE PROJECTION

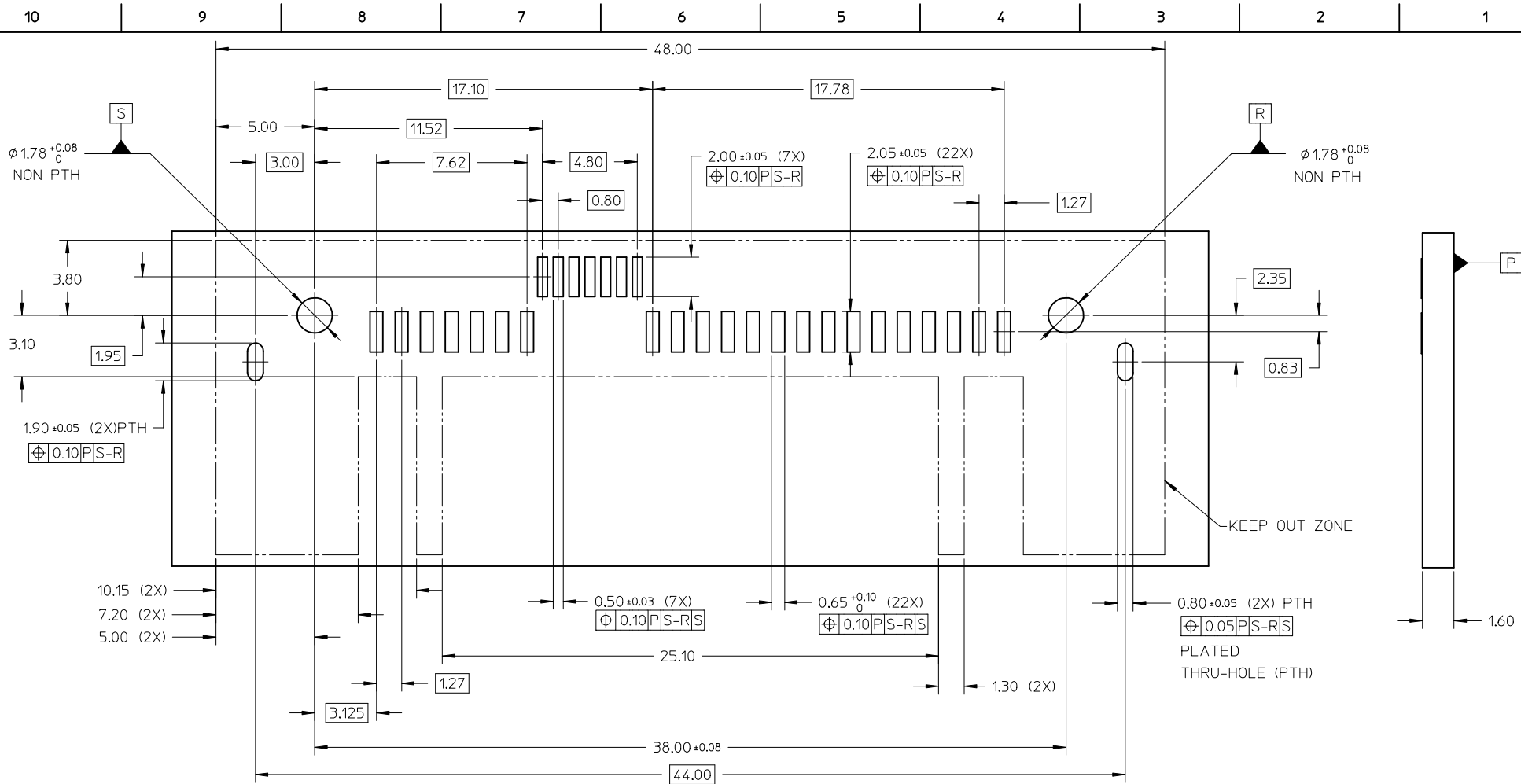
TITLE
SAS RECEPTACLE, RIGHT ANGLE SMT, 4.15MM HEIGHT

molex

DOCUMENT NO.
SD-151002-0001

SHEET NO.
2 OF 3

THIS DRAWING CONTAINS INFORMATION THAT IS PROPRIETARY TO MOLEX INCORPORATED AND SHOULD NOT BE USED WITHOUT WRITTEN PERMISSION



RECOMMENDED PCB LAYOUT

ADD PN EC NO: SZ016-0392 DRWN: BOKOK 2015/10/26 CHKD: SHONG 2015/10/29 APPR: SHLENI 2015/10/29 REV 6	QUALITY SYMBOLS $\nabla = 0$ $\nabla = 0$ $\nabla = 0$	GENERAL TOLERANCES (UNLESS SPECIFIED) <table border="1"> <thead> <tr> <th></th> <th>mm</th> <th>INCH</th> </tr> </thead> <tbody> <tr> <td>4 PLACES</td> <td>± ---</td> <td>± ---</td> </tr> <tr> <td>3 PLACES</td> <td>± ---</td> <td>± ---</td> </tr> <tr> <td>2 PLACES</td> <td>± 0.20</td> <td>± ---</td> </tr> <tr> <td>1 PLACE</td> <td>± ---</td> <td>± ---</td> </tr> <tr> <td>0 PLACE</td> <td>± ---</td> <td>± ---</td> </tr> </tbody> </table>		mm	INCH	4 PLACES	± ---	± ---	3 PLACES	± ---	± ---	2 PLACES	± 0.20	± ---	1 PLACE	± ---	± ---	0 PLACE	± ---	± ---	DIMENSION STYLE MM ONLY	SCALE NTS	DESIGN UNITS METRIC	THIRD ANGLE PROJECTION
		mm	INCH																					
	4 PLACES	± ---	± ---																					
	3 PLACES	± ---	± ---																					
	2 PLACES	± 0.20	± ---																					
	1 PLACE	± ---	± ---																					
0 PLACE	± ---	± ---																						
DRAWN BY LKCHEW	DATE 2013/07/03	TITLE SAS RECEPTACLE, RIGHT ANGLE SMT, 4.15MM HEIGHT																						
CHECKED BY WJYAP	DATE 2013/07/24	molex																						
APPROVED BY BOKOK	DATE 2013/08/16	MATERIAL NO. SEE TABLE	DOCUMENT NO. SD-151002-0001	SHEET NO. 3 OF 3																				
DRAFT WHERE APPLICABLE MUST REMAIN WITHIN DIMENSIONS		SIZE A3	THIS DRAWING CONTAINS INFORMATION THAT IS PROPRIETARY TO MOLEX INCORPORATED AND SHOULD NOT BE USED WITHOUT WRITTEN PERMISSION																					