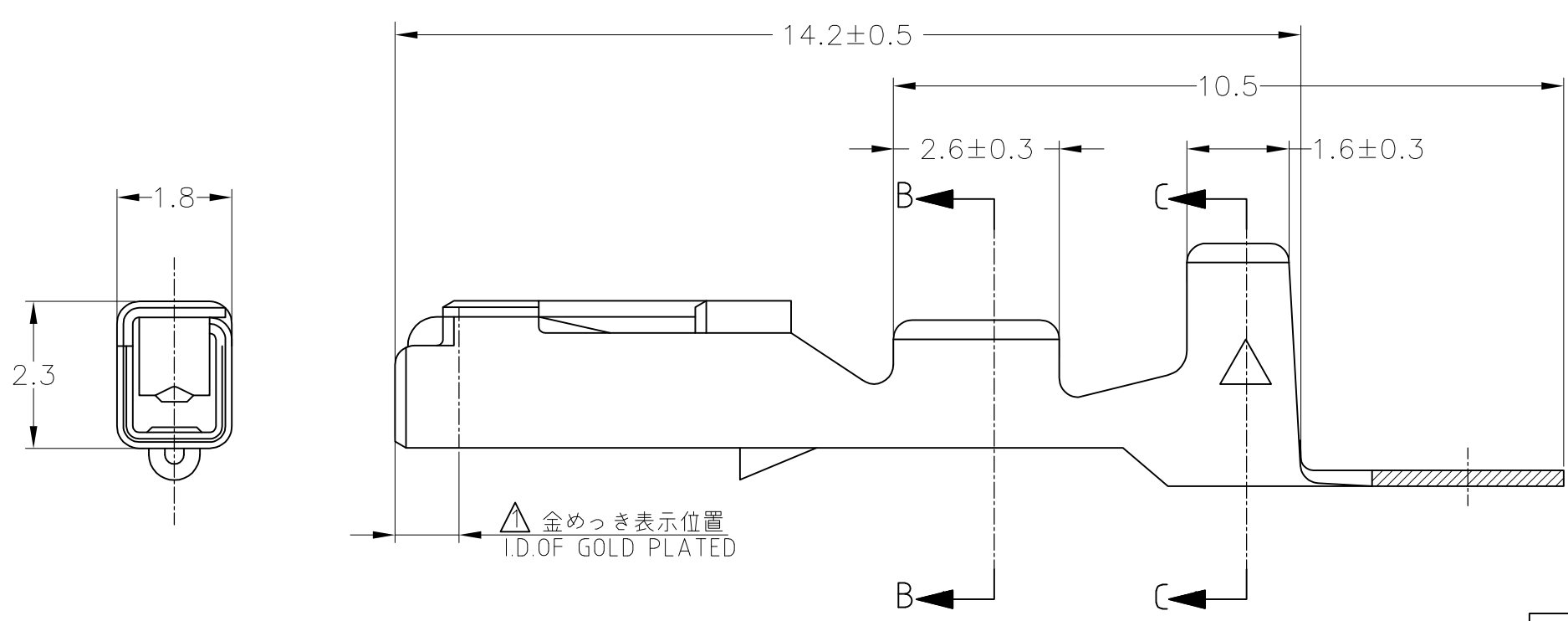
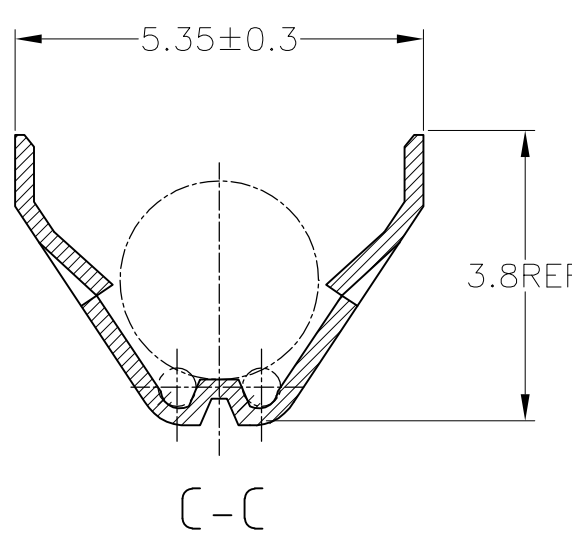
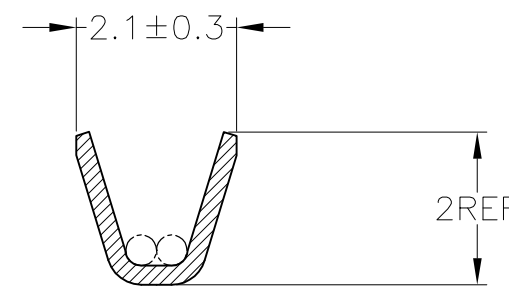
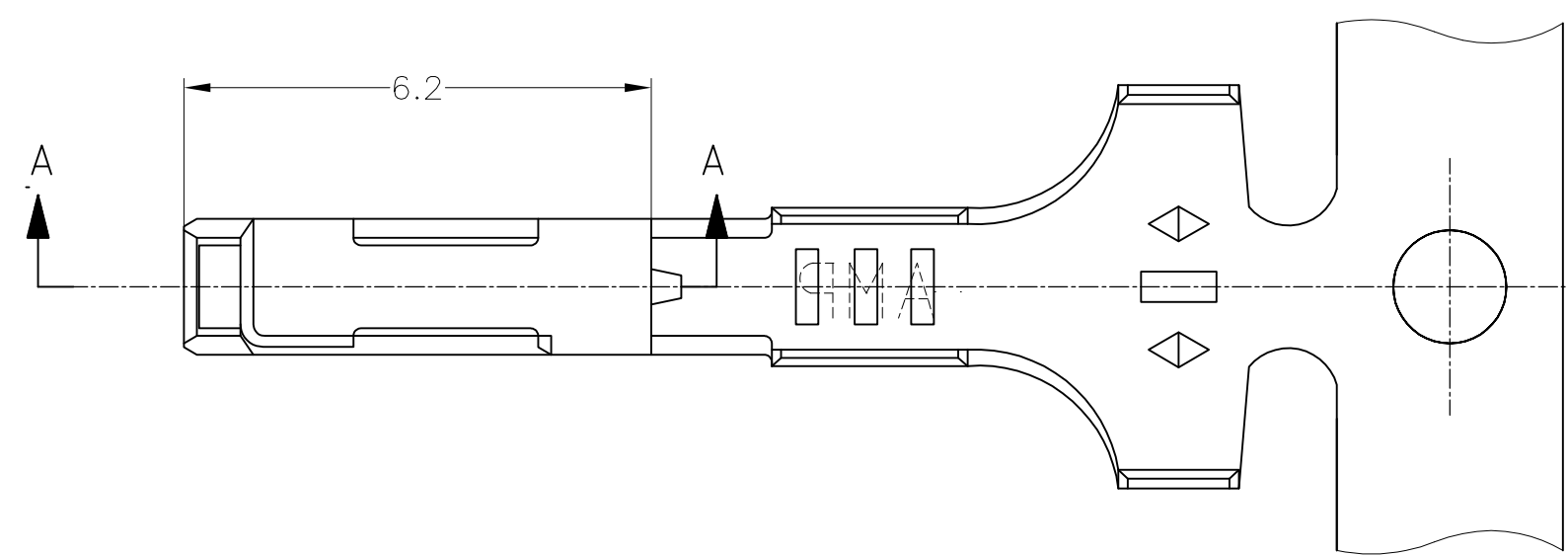


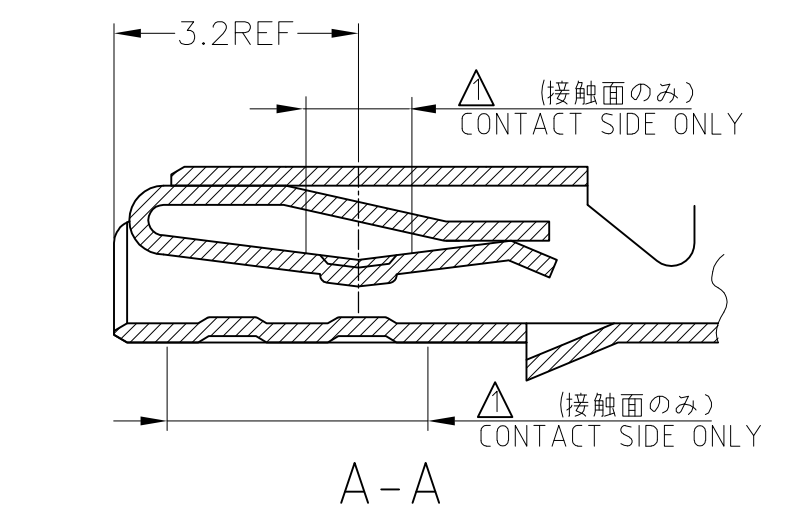
THIS DRAWING IS UNPUBLISHED. RELEASED FOR PUBLICATION
 © COPYRIGHT - By - ALL RIGHTS RESERVED.

LOC	DIST	REVISIONS					
—	—	P	LTR	DESCRIPTION	DATE	DWN	APVD
		P		REVISED PER ECO-11-005140	28MAR11	RK	HMR



△ SELECTIVE GOLD
 2. APPLICATION SPEC NO. 114-5111

△ 部分金めっき
 2. 取付適用規格番号 114-5111



175061-2	SELECTIVE GOLD 部分金めっき	173716-2
175061-1	PRE-TINNED 錫めっき済	173716-1
LOOSE PIECE NO.	バラ状端子型番	PART NUMBER 製品型番
WIRE RANGE (抱合電線断面積) 0.3~0.5mm ² (AWG#22~20)		INSULATION DIA. (被覆外径) 1.8~2 mmφ

THIS DRAWING IS A CONTROLLED DOCUMENT.

DIMENSIONS: 単位: 耗 mm	TOLERANCES UNLESS OTHERWISE SPECIFIED: 一般公差	DWN M.SUGAWARA 29NOV06	 TE Connectivity 040 SERIES RECEPTACLE CONTACT			
	0 PLC ±-	CHK K.BETSUI 29NOV06				
	1 PLC ±-	APVD K.BETSUI 29NOV06				
	2 PLC ±-	NAME 名称				
3 PLC ±-	PRODUCT SPEC 製品規格	SIZE A3	CAGE CODE 00779	DRAWING NO C-173716	RESTRICTED TO -	
4 PLC ±-	ANGLES ±-	APPLICATION SPEC 取付適用規格	WEIGHT -	SCALE 尺度 10:1	SHEET 1 OF 1	REV P
MATERIAL 材料 THICKNESS KLF-5 板厚0.25	FINISH 仕上 SEE TABLE 表参照	CUSTOMER DRAWING				

TOLERANCES UNLESS OTHERWISE SPECIFIED:
一般公差

10 ≥	±0.2
30 ≥	> 10 : ±0.25
100 ≥	> 30 : ±0.3
ANGLE	±3°