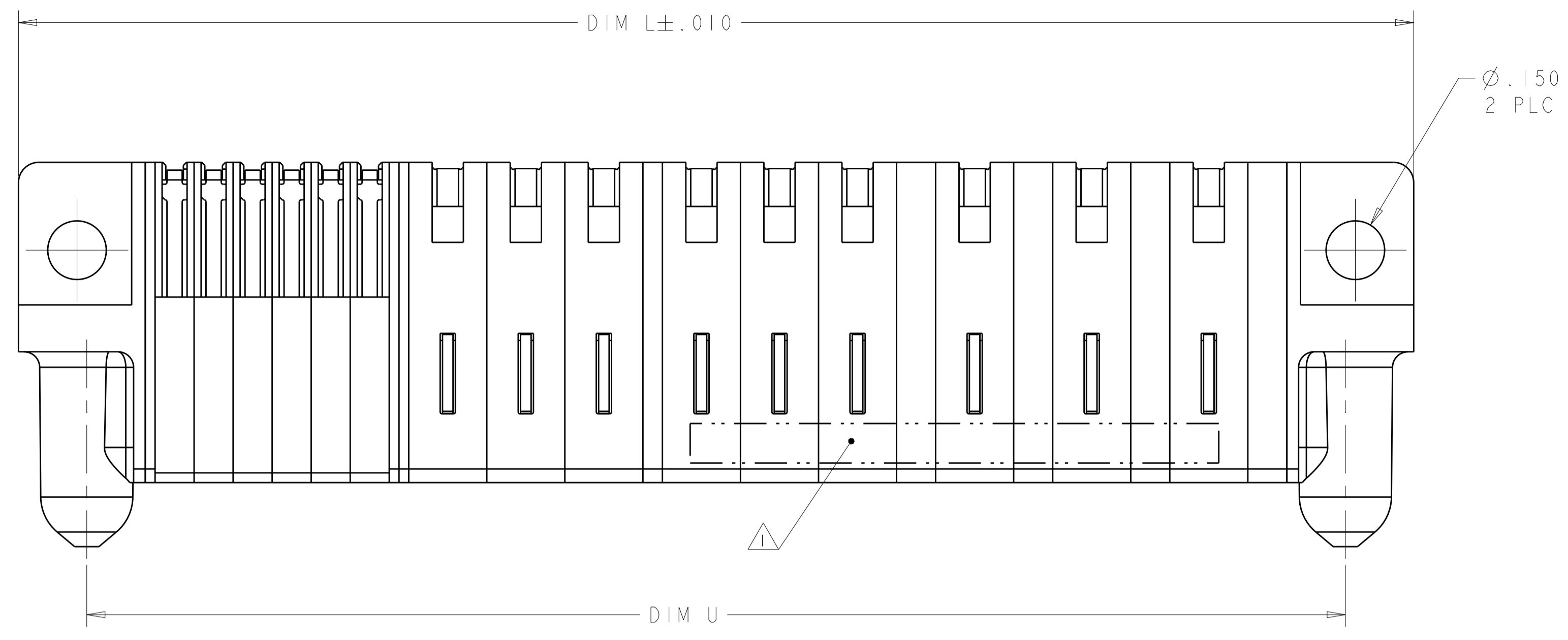
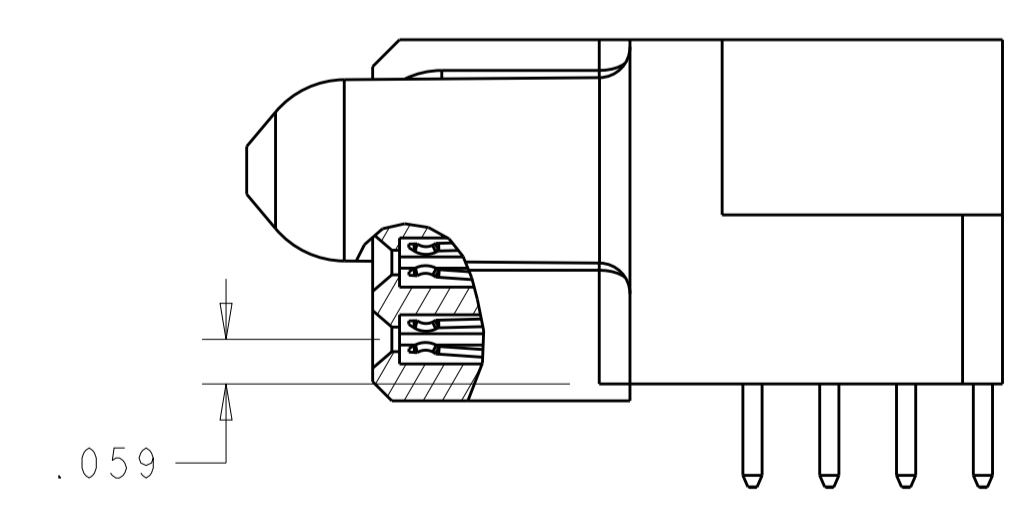
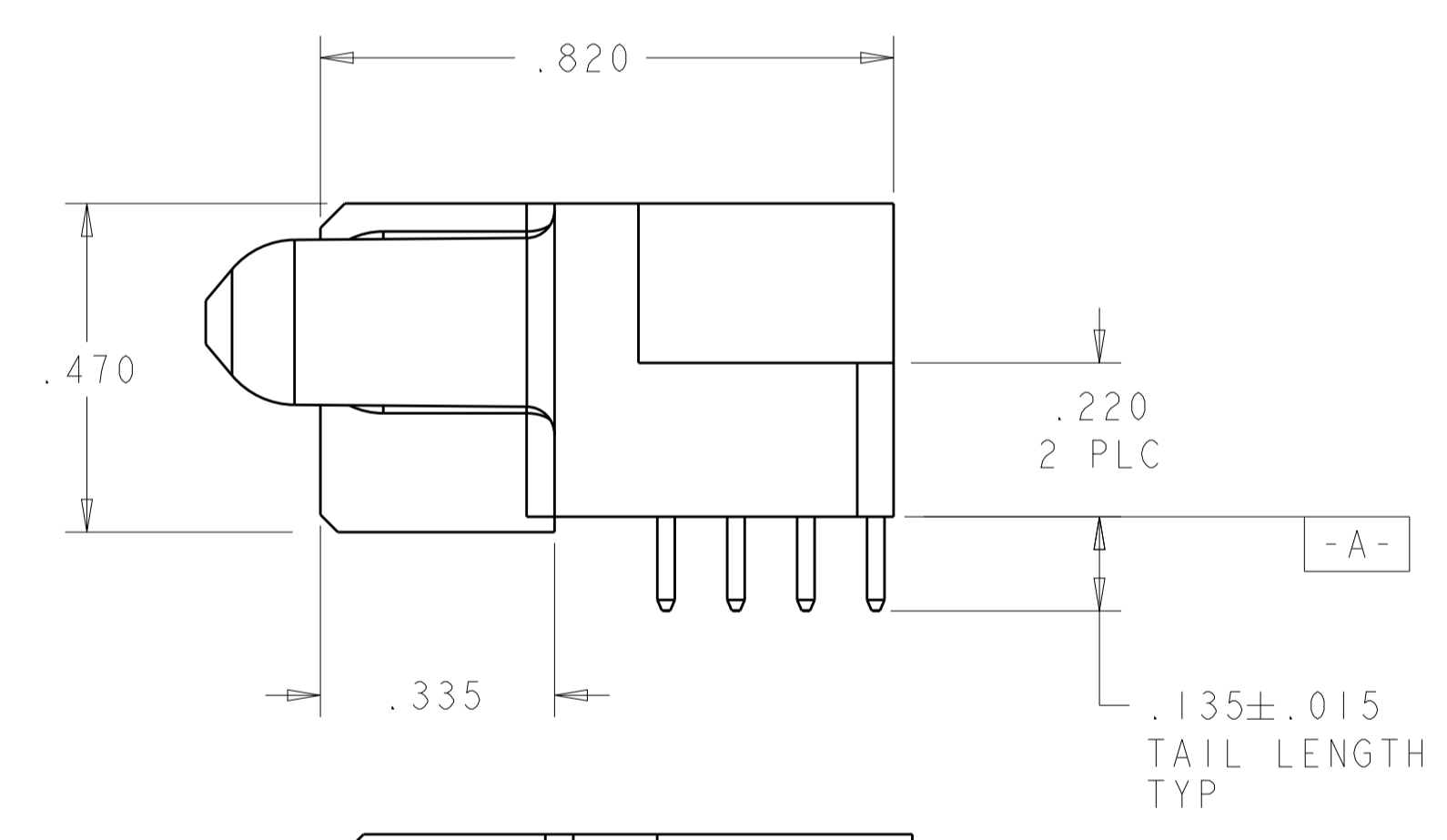
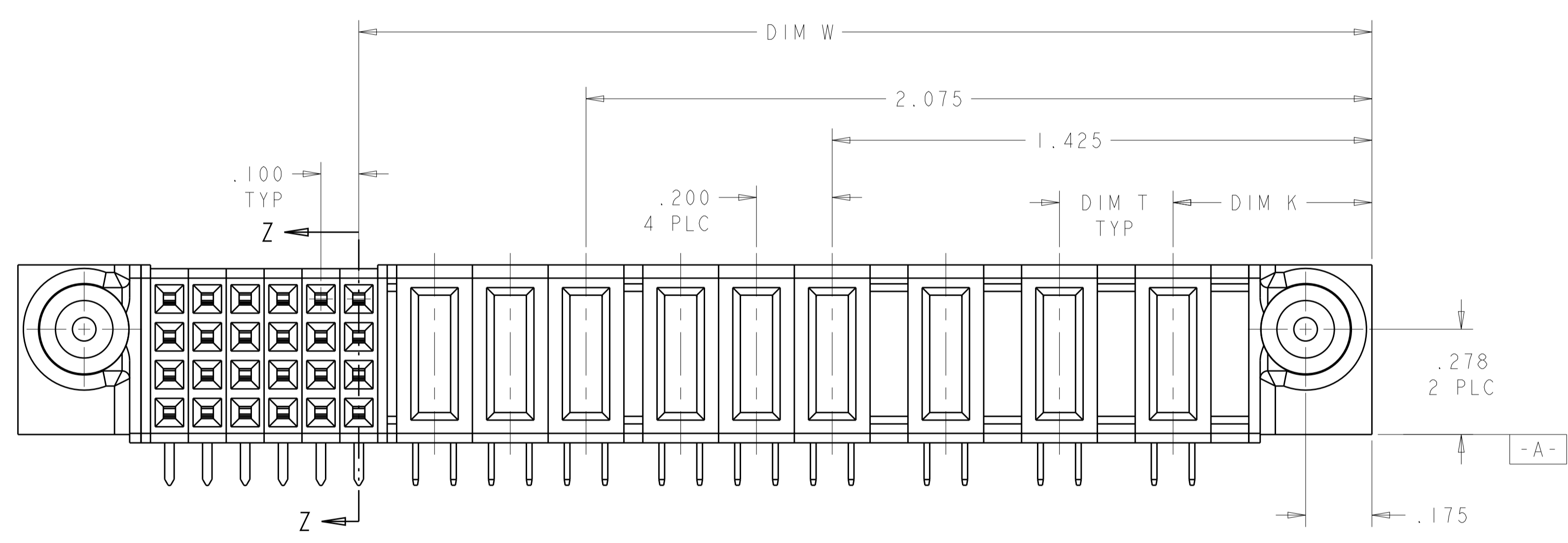


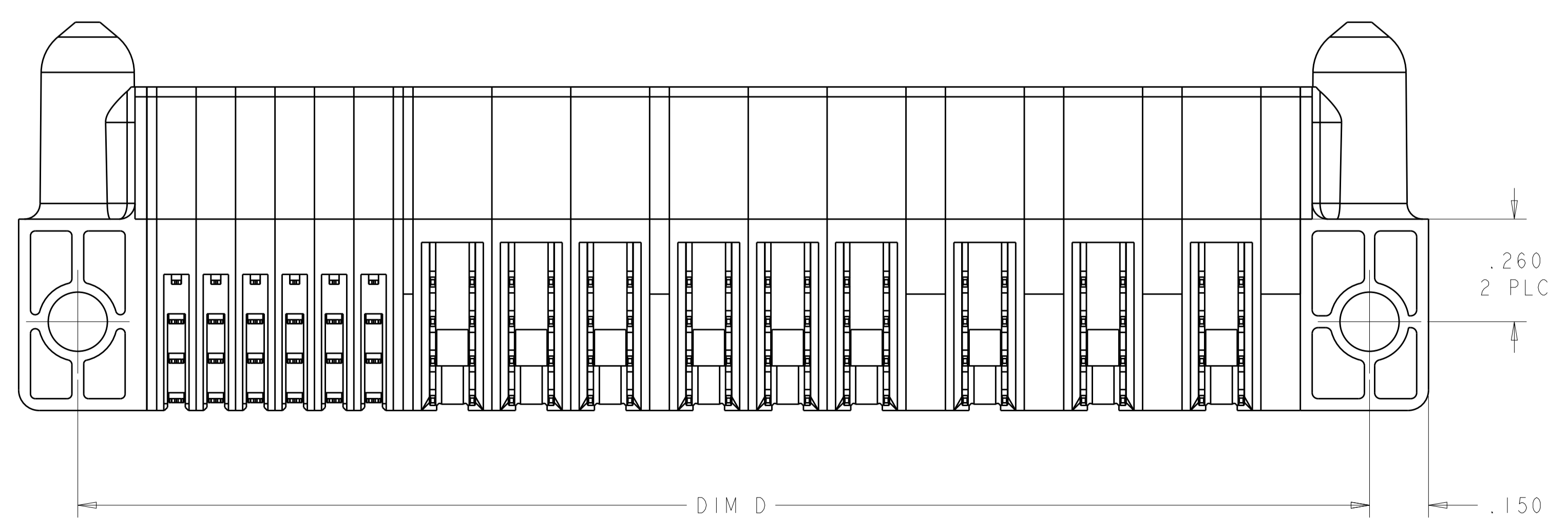
LOC		DIST		REVISIONS			
P	LTN	DESCRIPTION	DATE	DMN	APVD		
A		REV PER ECR-06-011989	18MAY2006	M.L	S.Y		
B		REV PER ECR-12-011791	03JUL2012	CZ	SZ		
B1		ADVISED	28FEB2013	ML	SZ		



- 1 "AMP", PART NUMBER AND DATE CODE TO BE MARKED IN AREA SHOWN.
- 2 MATERIAL: HOUSING - GLASS FILLED HIGH TEMP THERMO PLASTIC, UL94 V-0.
 SIGNAL CONTACT - COPPER ALLOY
 POWER CONTACT - HIGH CONDUCTIVITY COPPER ALLOY
- 3 CONTACT PLATING: .000050 MIN Ni UNDER ALL. NOBLE METAL PLATED ON CONTACT FUNCTIONAL MATING AREA AND TIN AT PCB INTERFACE.
- 4 MECHANICAL CONNECTOR KEEP OUT ZONE.
- 5 DATUM AND BASIC DIMENSIONS ESTABLISHED BY CUSTOMER.
- 6 PCB - ALL HOLE DIAMETERS ARE FINISHED HOLE SIZES
- 7 PCB - .0453±.0010 DRILLED HOLES PLATED WITH .0003 MIN Sn OVER .001 TO .003 Cu PLATING TO ACHIEVE A .040 DIAMETER HOLE
- 8 VARIABLE DIMENSIONS PLEASE SEE TABLE.



SECTION Z-Z



2.875	2.300	2.825	.475	3.175	3ACP + 4P + 24S	6450372-3
3.275	2.675	3.225	.525	3.575	3ACP + 6P + 24S	6450372-1
DIM D	DIM T	DIM W	DIM U	DIM K	DIM L	DESCRIPTION
						PART NUMBER

THIS DRAWING IS A CONTROLLED DOCUMENT. DWN: R.GRZYBOWSKI 29AUG05
 CHK: M.PERCHEKKE 29AUG05

DIMENSIONS: INCHES. TOLERANCES UNLESS OTHERWISE SPECIFIED:
 0 PLC ±.01
 1 PLC ±.01
 2 PLC ±.01
 3 PLC ±.005
 4 PLC ±.0020
 ANGLES ±.7°

MATERIAL: 2. FINISH: 3.

APVD: M.PERCHEKKE
 PRODUCT SPEC: 108-1973
 APPLICATION SPEC: 114-13038
 WEIGHT: -

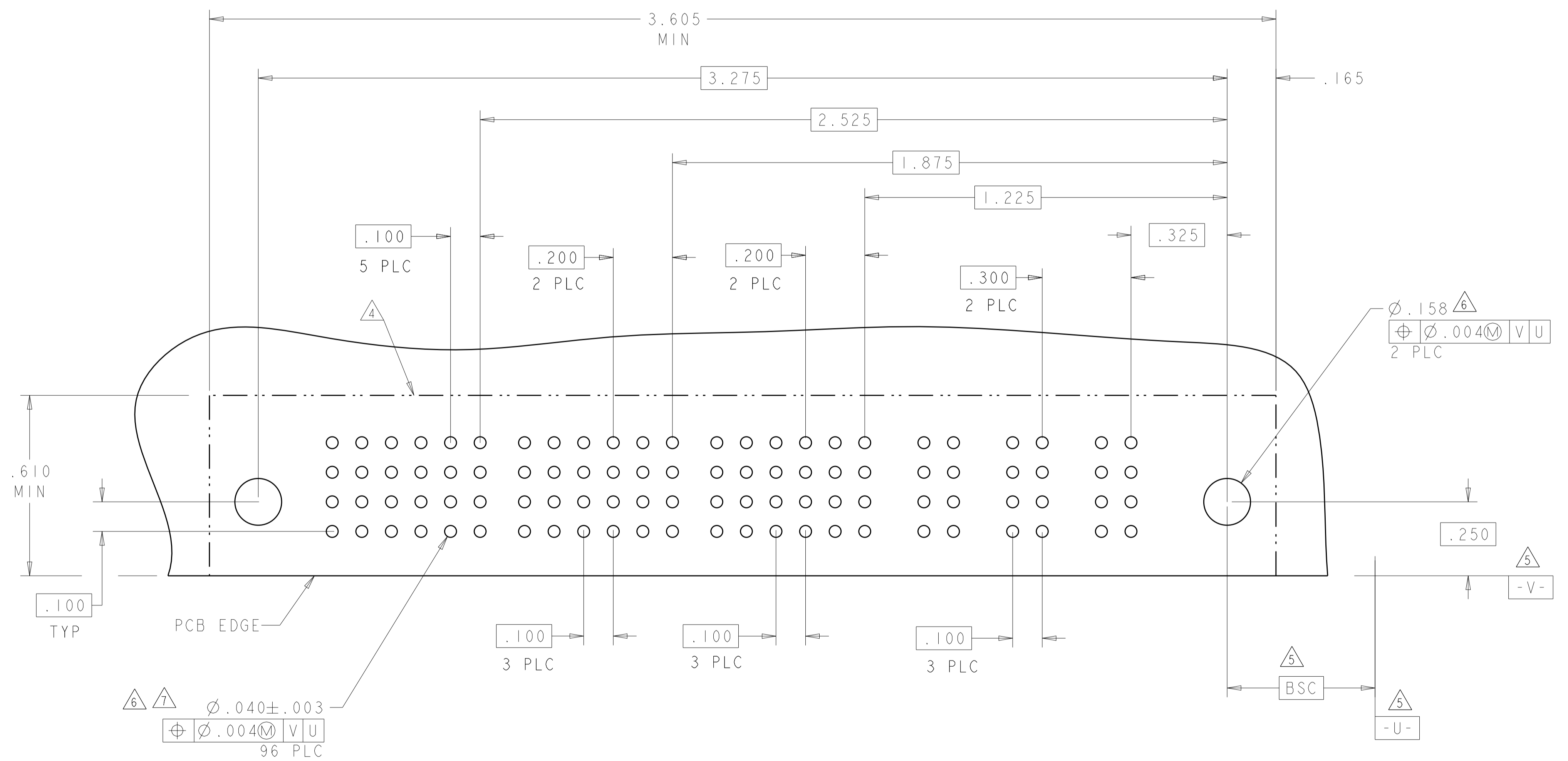
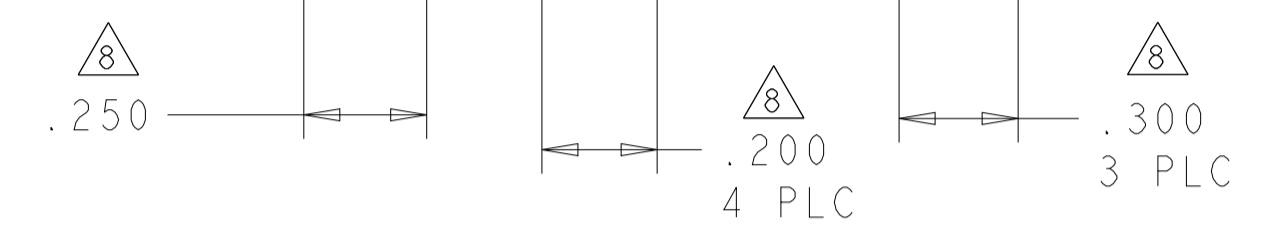
NAME: RIGHT ANGLE RECEPTACLE ASSEMBLY WITH GUIDES, SOLDER CONTACT MULTI-BEAM XL
 SIZE: A1
 CAGE CODE: 100779
 DRAWING NO: 6450372

CUSTOMER DRAWING. SCALE: 4:1. SHEET 1 OF 3. REV: B1

LOC	DIST	REVISIONS			
P	LTN	DESCRIPTION	DATE	DWN	APVD
ES	00	SEE SHEET 1	-	-	-

PART NUMBER	ROWS	SIGNAL						POWER								
		6	5	4	3	2	1	P9	P8	P7	P6	P5	P4	P3	P2	P1
6450372-1	D	H	H	H	H	H	H	RM	RM	RM	RM	RM	RM	RA	RM	RM
	C	G	G	G	G	G	G									
	B	F	F	F	F	F	F									
	A	E	E	E	E	E	E									

3ACP + 6P + 24S



6 7
 Ø .040 ± .003
 ⊕ Ø .004 (M) V | U
 96 PLC

CODE	TAIL LENGTH	TYPE
RM	.135	STD
RA	.135	MFBL

CODE	TAIL LENGTH	ROW
H	.135	D
G	.135	C
F	.135	B
E	.135	A

THIS DRAWING IS A CONTROLLED DOCUMENT. DWN: R. GRZYBOWSKI 29AUG05
 CHK: M. PERCHERKE 29AUG05
 APVD: M. PERCHERKE

DIMENSIONS: INCHES
 TOLERANCES UNLESS OTHERWISE SPECIFIED:
 0 PLC ±.
 1 PLC ±.01
 2 PLC ±.01
 3 PLC ±.005
 4 PLC ±.002
 ANGLES ±.020

MATERIAL: FINISH:

NAME: RIGHT ANGLE RECEPTACLE ASSEMBLY WITH GUIDES, SOLDER CONTACT MULTI-BEAM XL
 PRODUCT SPEC: 108-1973
 APPLICATION SPEC: 114-13038
 WEIGHT: 114-13038
 CUSTOMER DRAWING

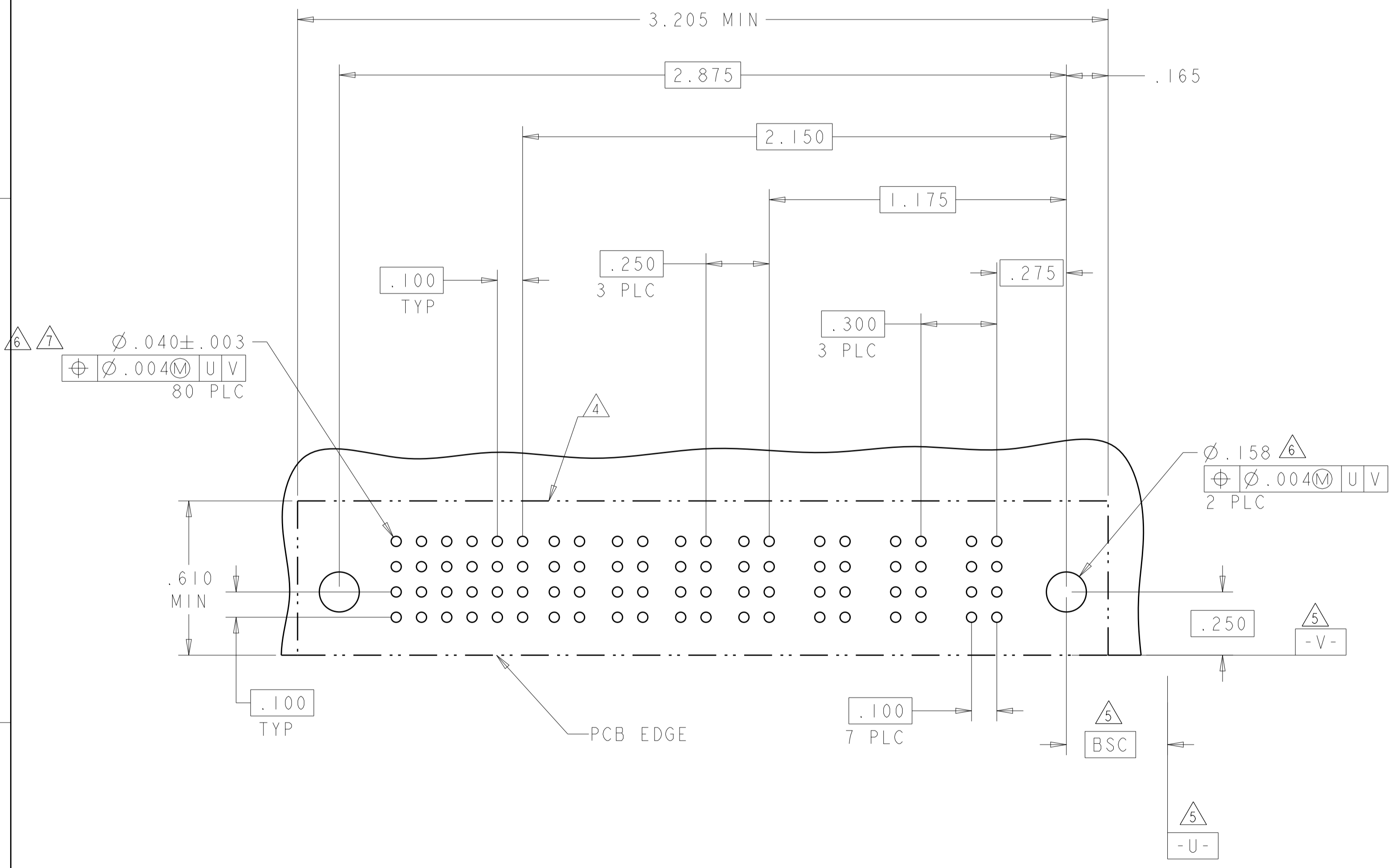
SIZE: A1
 CAGE CODE: 100779
 DRAWING NO: 6450372
 SCALE: 4:1
 SHEET: 2 OF 3
 REV: B1

STE TE Connectivity

LOC	DIST	REVISIONS			
P	LTN	DESCRIPTION	DATE	DMN	APVD
-	-	SEE SHEET 1	-	-	-

PART NUMBER	ROWS	SIGNAL						POWER						
		6	5	4	3	2	1	P7	P6	P5	P4	P3	P2	P1
6450372-3	D	H	H	H	H	H	H	RM	RM	RM	RM	RA	RM	RM
	C	G	G	G	G	G	G							
	B	F	F	F	F	F	F							
A		E	E	E	E	E	E							

3ACP + 4P + 24S



THIS DRAWING IS A CONTROLLED DOCUMENT.		DMN: R. GRZYBOWSKI 29AUG05	TE Connectivity
DIMENSIONS: INCHES		CHK: M. PERCHERKE 29AUG05	
TOLERANCES UNLESS OTHERWISE SPECIFIED: 0 PLC ±. 1 PLC ±.01 2 PLC ±.01 3 PLC ±.005 4 PLC ±.0020 ANGLES ±.7°		APVD: M. PERCHERKE	NAME: RIGHT ANGLE RECEPTACLE ASSEMBLY WITH GUIDES, SOLDER CONTACT MULTI-BEAM XL
MATERIAL: -		FINISH: -	PRODUCT SPEC: 108-1973
SCALE: 4:1		WEIGHT: -	APPLICATION SPEC: 114-13038
SHEET 3 OF 3		CAGE CODE: A100779	DRAWING NO: C=6450372
RESTRICTED TO: -		CUSTOMER DRAWING	