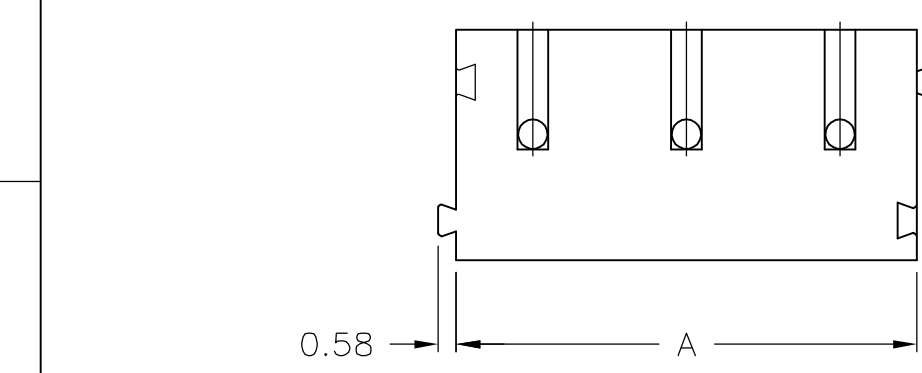
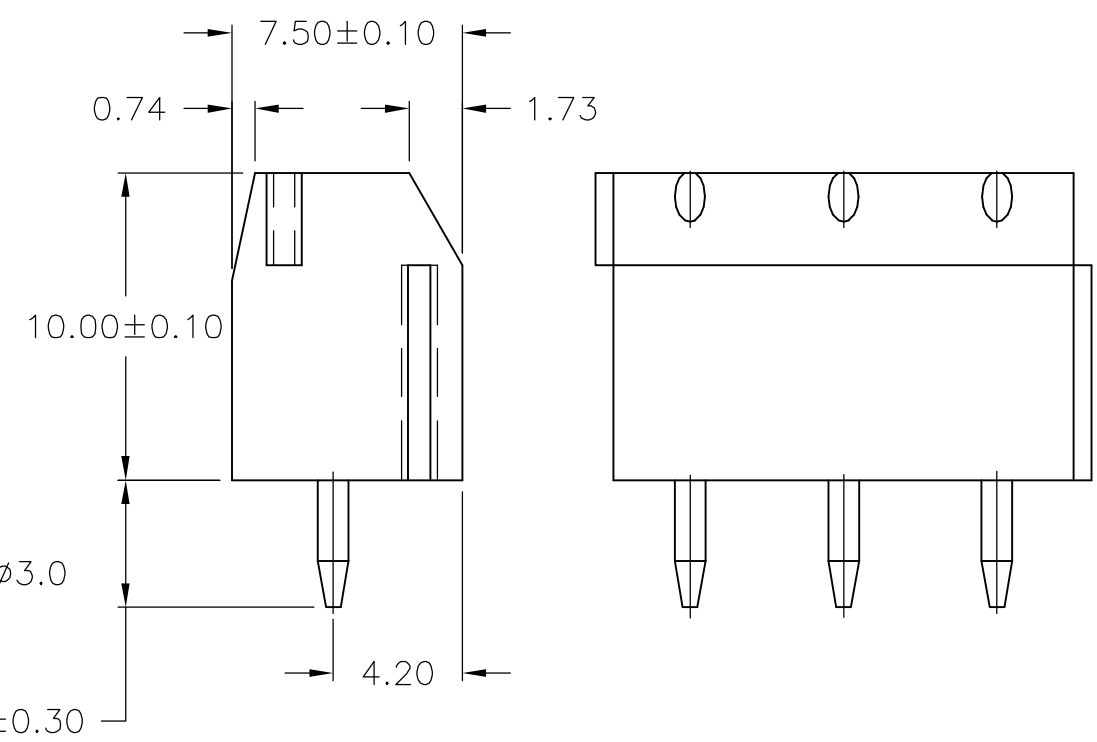
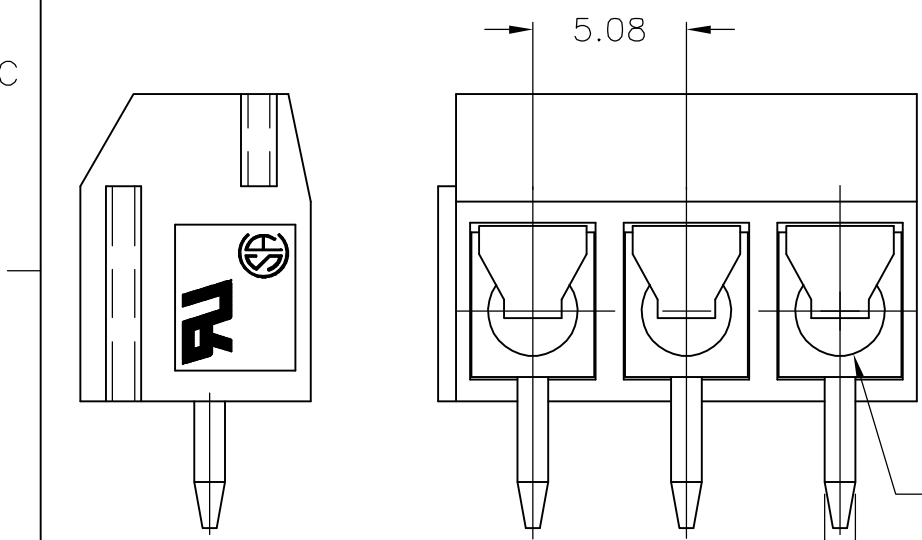
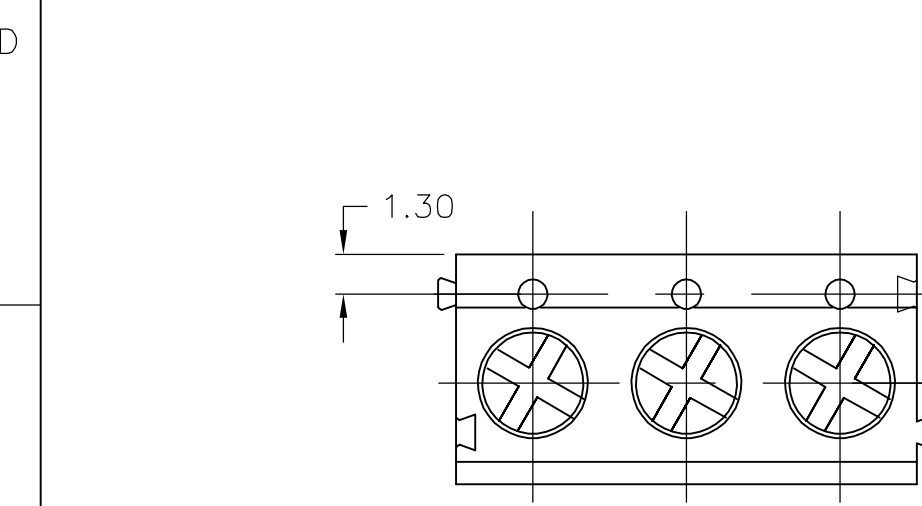


THIS DRAWING IS UNPUBLISHED. RELEASED FOR PUBLICATION  
 © COPYRIGHT BY TYCO ELECTRONICS CORPORATION. ALL RIGHTS RESERVED.

LOC	DIST	REVISIONS					
FT	0	P	LTR	DESCRIPTION	DATE	DWN	APVD
			01	REVISED PER ECO-07-003848	2/19/07	SS	CR

1. ALL DIMENSIONS ARE IN MM.
2. RECOMMENDED PC-BOARD-HOLES DIAMETER:  $\phi 1.20\text{mm}$  to  $1.40\text{mm}$ .
3. BUCHANAN LOGO TO APPEAR ON HOUSING LOCATION OPTIONAL WHERE SPACE PERMITS.



1776494-3 AS SHOWN

DIM. A	NO. OF POS.	PART NUMBER
121.92	24	2-1776494-4
116.84	23	2-1776494-3
111.76	22	2-1776494-2
106.68	21	2-1776494-1
101.60	20	2-1776494-0
96.52	19	1-1776494-9
91.44	18	1-1776494-8
86.36	17	1-1776494-7
81.28	16	1-1776494-6
76.20	15	1-1776494-5
71.12	14	1-1776494-4
66.04	13	1-1776494-3
60.96	12	1-1776494-2
55.88	11	1-1776494-1
50.80	10	1-1776494-0
45.72	9	1776494-9
40.64	8	1776494-8
35.56	7	1776494-7
30.48	6	1776494-6
25.40	5	1776494-5
20.32	4	1776494-4
15.24	3	1776494-3
10.16	2	1776494-2

THIS DRAWING IS A CONTROLLED DOCUMENT.		DWN S SCHLEGEL 2/27/06	Tyco Electronics Corporation Harrisburg, PA 17105-3608	
DIMENSIONS: mm		CHK C RICHARD 2/27/06		
TOLERANCES UNLESS OTHERWISE SPECIFIED:		APVD C RICHARD 2/27/06	NAME	
0 PLC ± -		PRODUCT SPEC	TERMINAL BLOCK PCB MOUNT, STRAIGHT	
1 PLC ± 0.3		APPLICATION SPEC	SIDE WIRE ENTRY, LOW PROFILE	
2 PLC ± 0.25		WEIGHT -	W/INTERLOCK, 5.08mm PITCH (LT)	
3 PLC ± -		CUSTOMER DRAWING	SIZE A3	RESTRICTED TO -
4 PLC ± -			CAGE CODE 00779	DRAWING NO C-1776494
ANGLES ± -			SCALE NTS	SHEET 1 OF 2
FINISH -			REV 01	

THIS DRAWING IS UNPUBLISHED.

RELEASED FOR PUBLICATION

© COPYRIGHT - BY TYCO ELECTRONICS CORPORATION. ALL RIGHTS RESERVED.

LOC	DIST	REVISIONS			
P	LTR	DESCRIPTION	DATE	DWN	APVD
FT	0	—	—	—	—
		SEE SHEET 1	—	—	—

## 1. Application and Features:

- 1-1. Standard sizes are 2 and 3 way-blocks, but every number of contact can be combined, by simply plugging them together and can be ordered as required\*\*
- 1-2. With wire guard for wire protection (for that the screw doesn't press directly on the wire)

## 2-3. Mechanical:

- 2-3-1. Torque: 4 Kg.cm (Max).
- 2-3-2. Operating temperature: -55°C to +105°C.
- 2-3-3. Solderability: 95% coverage (min).


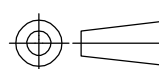
## 2. Technical Data:

## 2-1. Material:

- 2-1-1. HOUSING: NYLON 6.6, GRAY, UL94V-0.
- 2-1-2. Metal Housing: Brass(Cu Zn)  
Cu,Tin plated.
- 2-1-3. Wire guard: Stainless steel.
- 2-1-4. Screw: Steel galvanized and chromated, M2.6

## 2-2. Electrical:

- 2-2-1. Current rating: 10 Amps/way max.
- 2-2-2. Contact resistance: 20mΩ (Max).
- 2-2-3. Insulation resistance: 5000MΩ /1000V.
- 2-2-4. Withstanding Voltage: 1500VAC (1min).  
test time =60sec/1pcs
- 2-2-5. Operation Voltage: 300 VAC.
- 2-2-6. Wire Range: 14-22 AWG.

THIS DRAWING IS A CONTROLLED DOCUMENT.		DWN S SCHLEGEL	2/27/06	 Tyco Electronics Corporation Harrisburg, PA 17105-3608	
DIMENSIONS: mm		CHK C RICHARD	2/27/06		
TOLERANCES UNLESS OTHERWISE SPECIFIED:		APVD C RICHARD	2/27/06	NAME TERMINAL BLOCK PCB MOUNT, STRAIGHT SIDE WIRE ENTRY, LOW PROFILE W/INTERLOCK, 5.08mm PITCH (LT)	
		PRODUCT SPEC —		RESTRICTED TO —	
MATERIAL —		FINISH —		APPLICATION SPEC —	
		WEIGHT —		SIZE A3	CAGE CODE 00779
		CUSTOMER DRAWING		DRAWING NO C-1776494	SCALE NTS
				SHEET 2 OF 2	REV 01