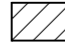
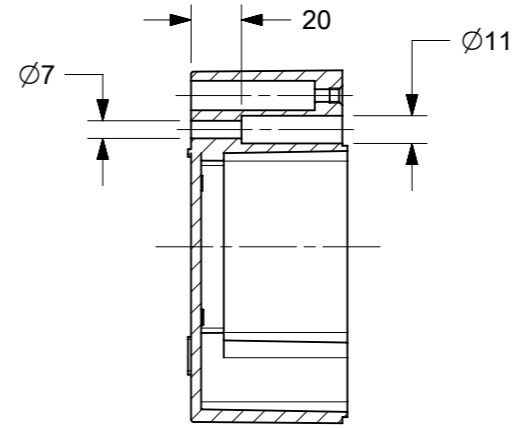
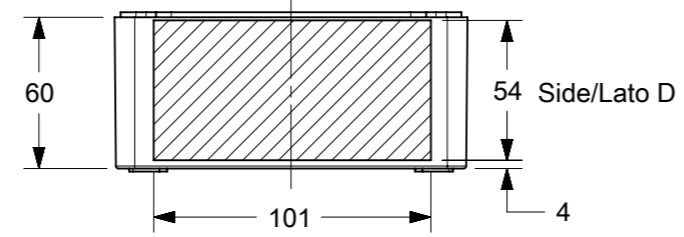
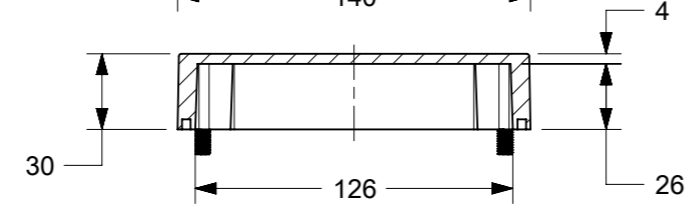
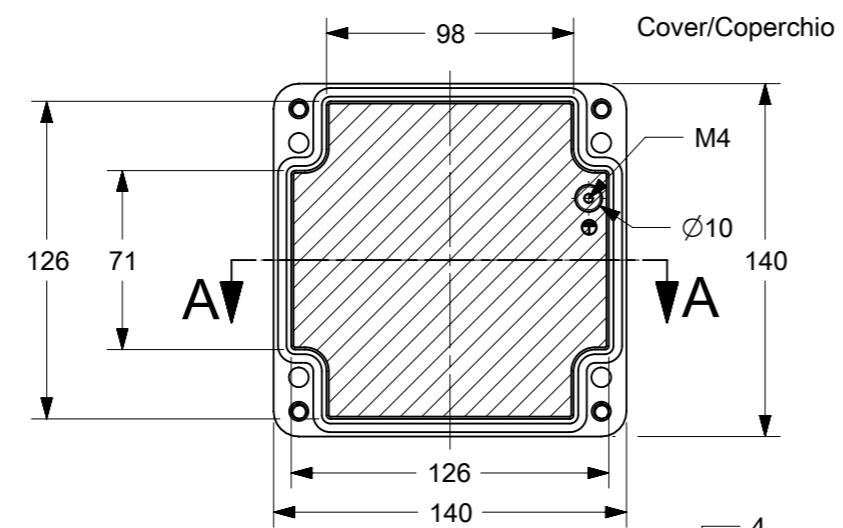
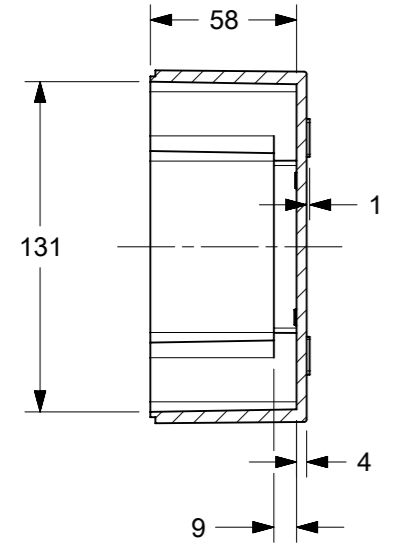


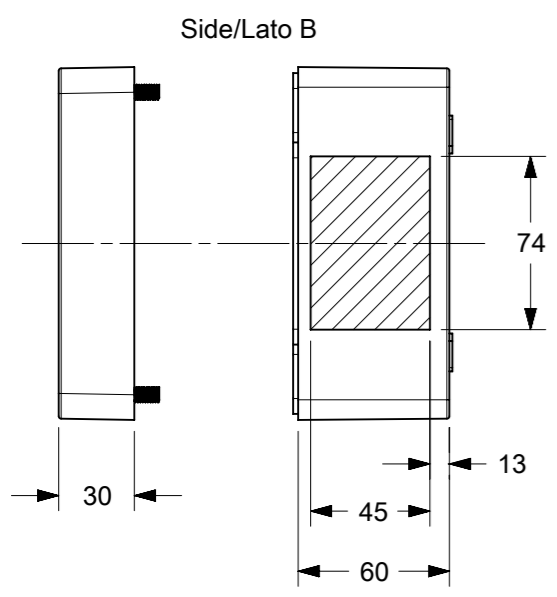
**NOTE:**  
 SUITABLE AREAS FOR DRILLING AND THREADING OPERATIONS  
 - ENCLOSURE SUPPLIED WITH No. 4 COMBI FIXING SCREW M6x35



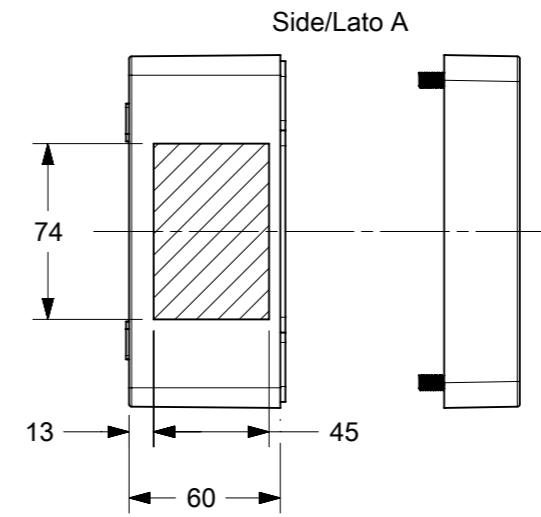
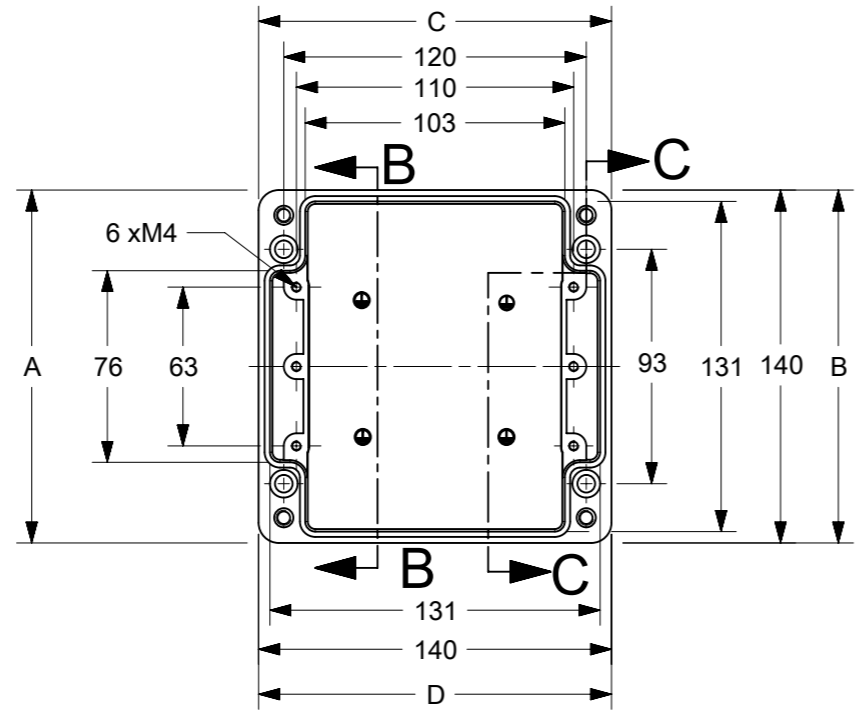
SECTION C-C



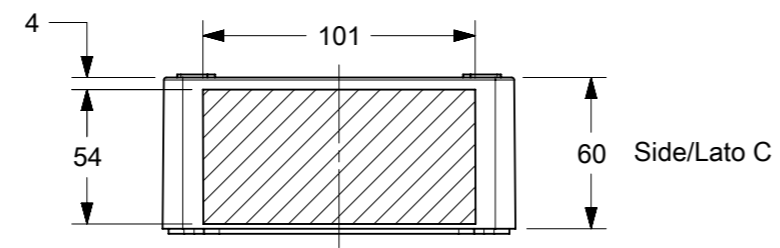
SECTION B-B



Side/Lato B



Side/Lato A



Side/Lato C

Table 1			PRODUCT TABLE		
SAP.No.	Eng.No.	COLOR			
0936040113	8100.8020.0	GREY RAL7001			
0936040168	8100.8120.0	LIGHT GREY RAL7035			
0936040205	8100.8220.0	NOT PAINTED			
0936040276	8100.8320.1	BLACK RAL9005			

FUNCTIONAL SYMBOLS	THIS DRAWING CONTAINS INFORMATION THAT IS PROPRIETARY TO MOLEX ELECTRONIC TECHNOLOGIES, LLC AND SHOULD NOT BE USED WITHOUT WRITTEN PERMISSION	CURRENT REV DESC: FIRST RELEASE		<b>molex</b>		
	DIMENSION UNITS: <b>mm</b> SCALE: <b>1:3</b> GENERAL TOLERANCES (UNLESS SPECIFIED) ANGULAR TOL ± 1.0° 4 PLACES ± 3 PLACES ± 2 PLACES ± 1 PLACE ± 0.2 0 PLACES ± 0.3	EC NO: 707681 DRWN: NFRITZEN 2022/05/23 CHK'D: RSILLER 2022/05/24 APPR: RSILLER 2022/05/24				
DIVISIONAL SYMBOLS	DRAFT WHERE APPLICABLE MUST REMAIN WITHIN DIMENSIONS		FIRST ANGLE PROJECTION		DRAWING: <b>A3-SIZE</b> SERIES: <b>93604</b>	
	INITIAL REVISION: DRWN: AKABADI 2022/04/20 APPR: RSILLER 2022/05/24		DOCUMENT NUMBER: <b>936040168</b> DOC TYPE: PSD DOC PART: 000 REVISION: A		PRODUCT CUSTOMER DRAWING	
MATERIAL NUMBER: SEE TABLE 1 CUSTOMER: GENERAL MARKET		SHEET NUMBER: 1 OF 1				