

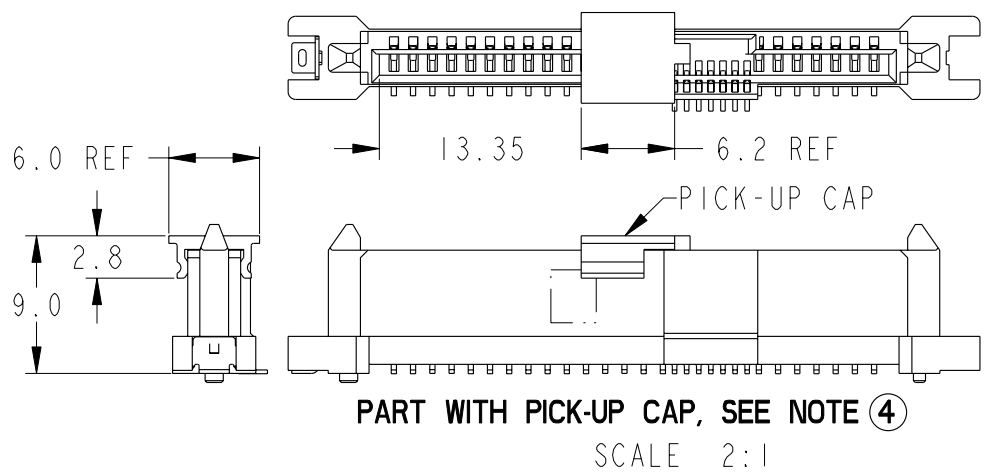
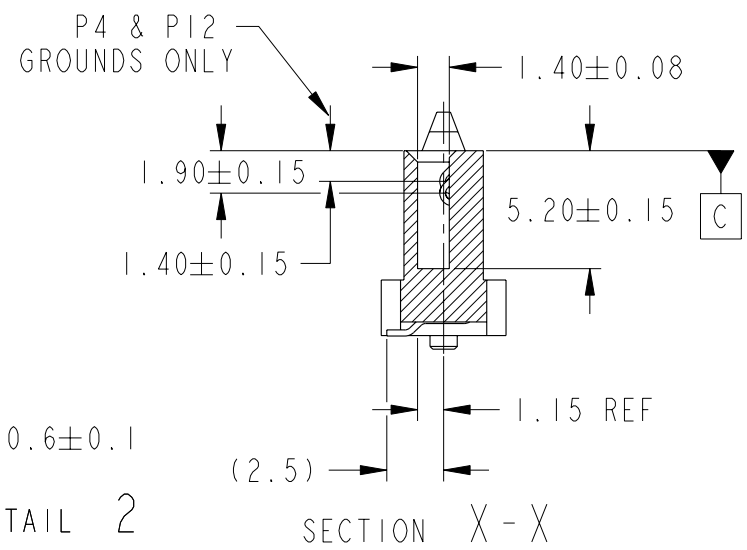
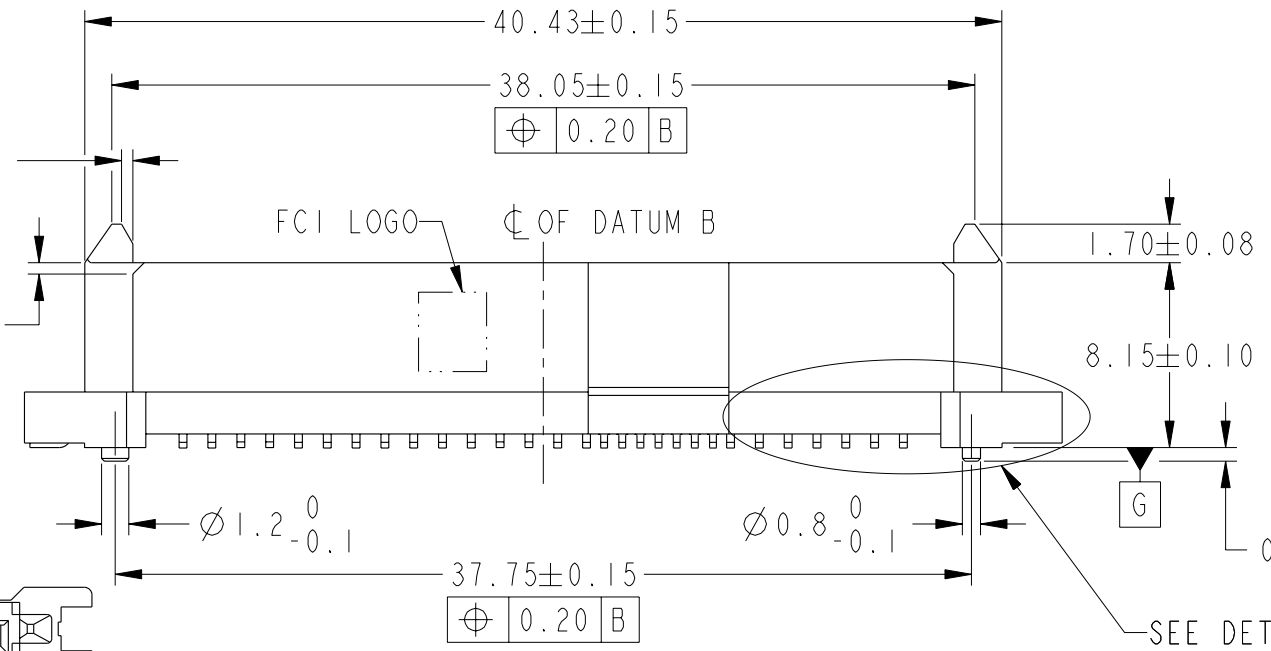
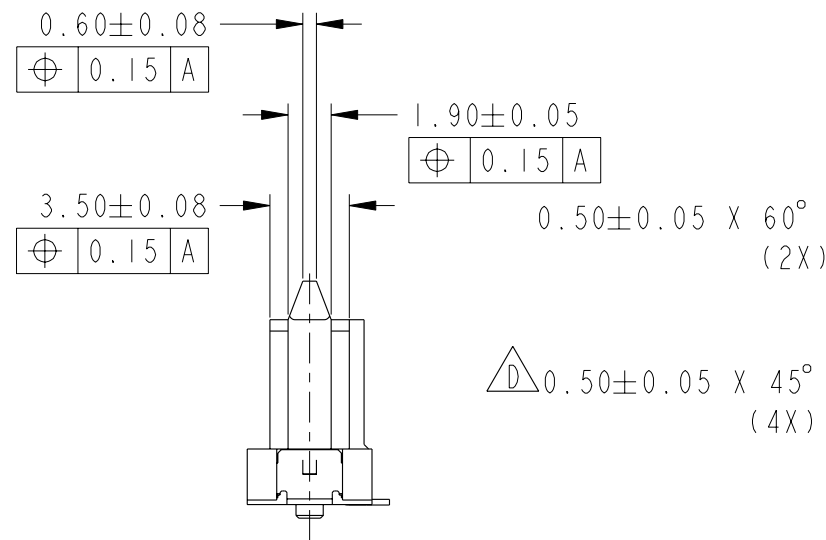
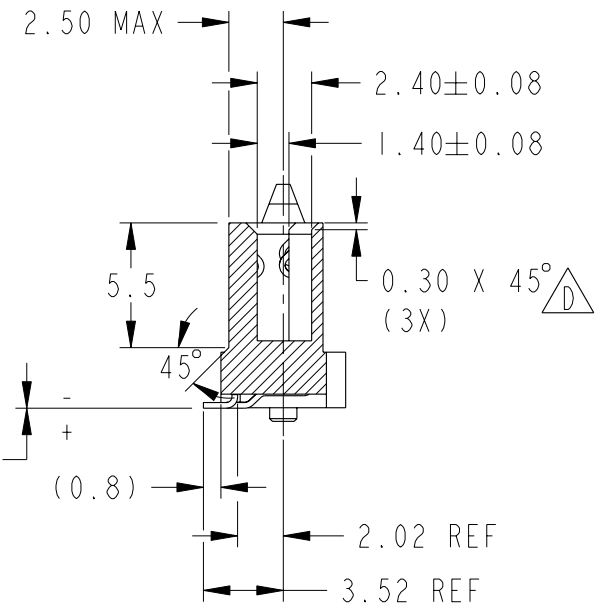
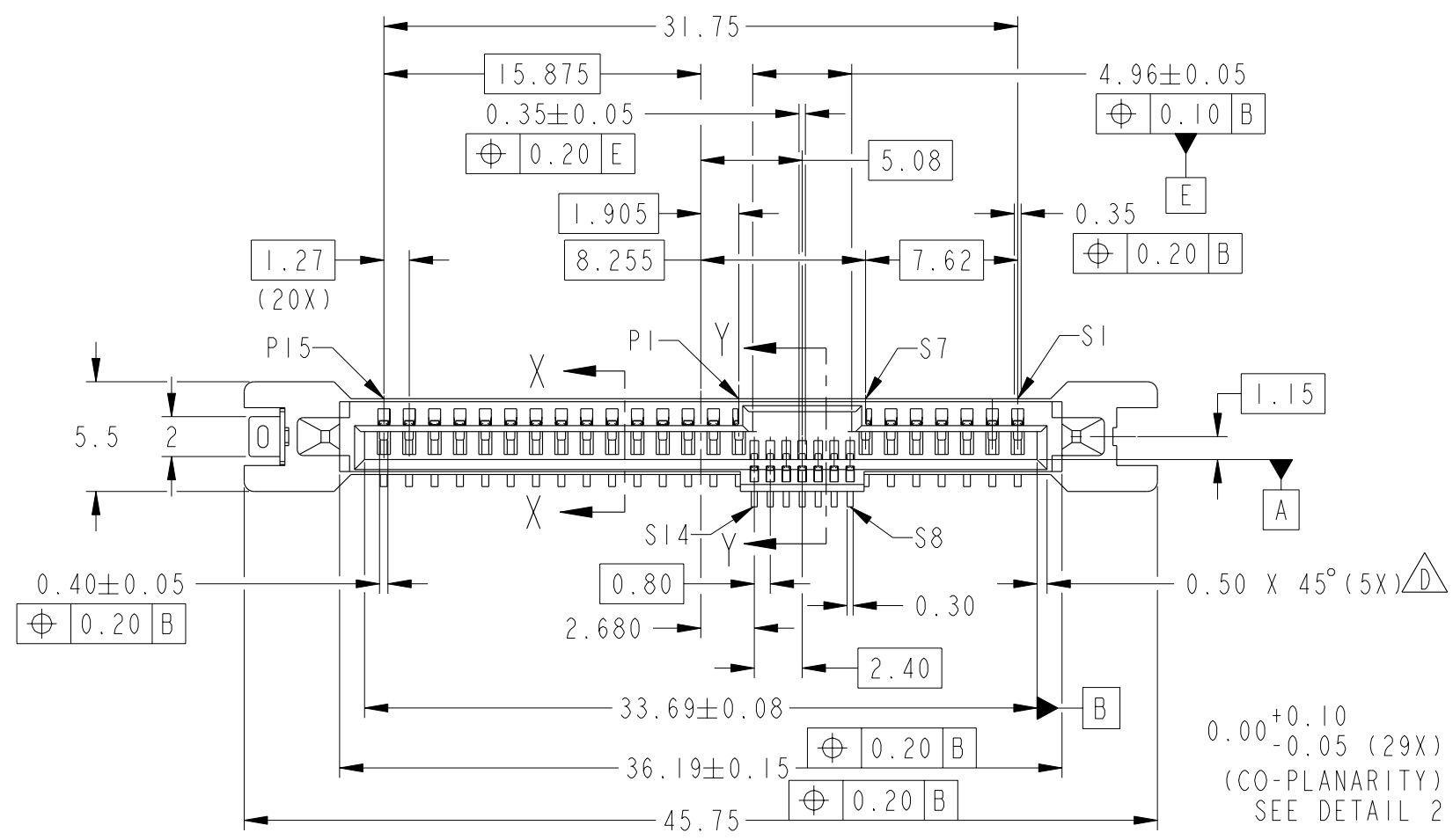
PRODUCT NO
SEE TABLE

A

B

C

D



spec ref	-	dr	GL LOO	2009-05-04	projection	MM	size	A3	scale	3:1	
tolerance std	ISO 406 ISO 1101	eng	GL LOO	2009-05-04	⊕	←→	ecn no	S10-0228			
TOLERANCES UNLESS OTHERWISE SPECIFIED		chr	GL LOO	2010-10-28			product family	SAS	rel level	-	
surface	✓	appr	JOEY NG	2010-10-28	SEE DETAIL 2		dwg no	10101219		rev	D
ISO 1302	linear	0.X	±		www.fci.com	cat. no.	-	Product - Customer Drw	sheet 1 of 3		
		0.XX	±0.20								
		0.XXX	±								
	angular	0°	±2°								

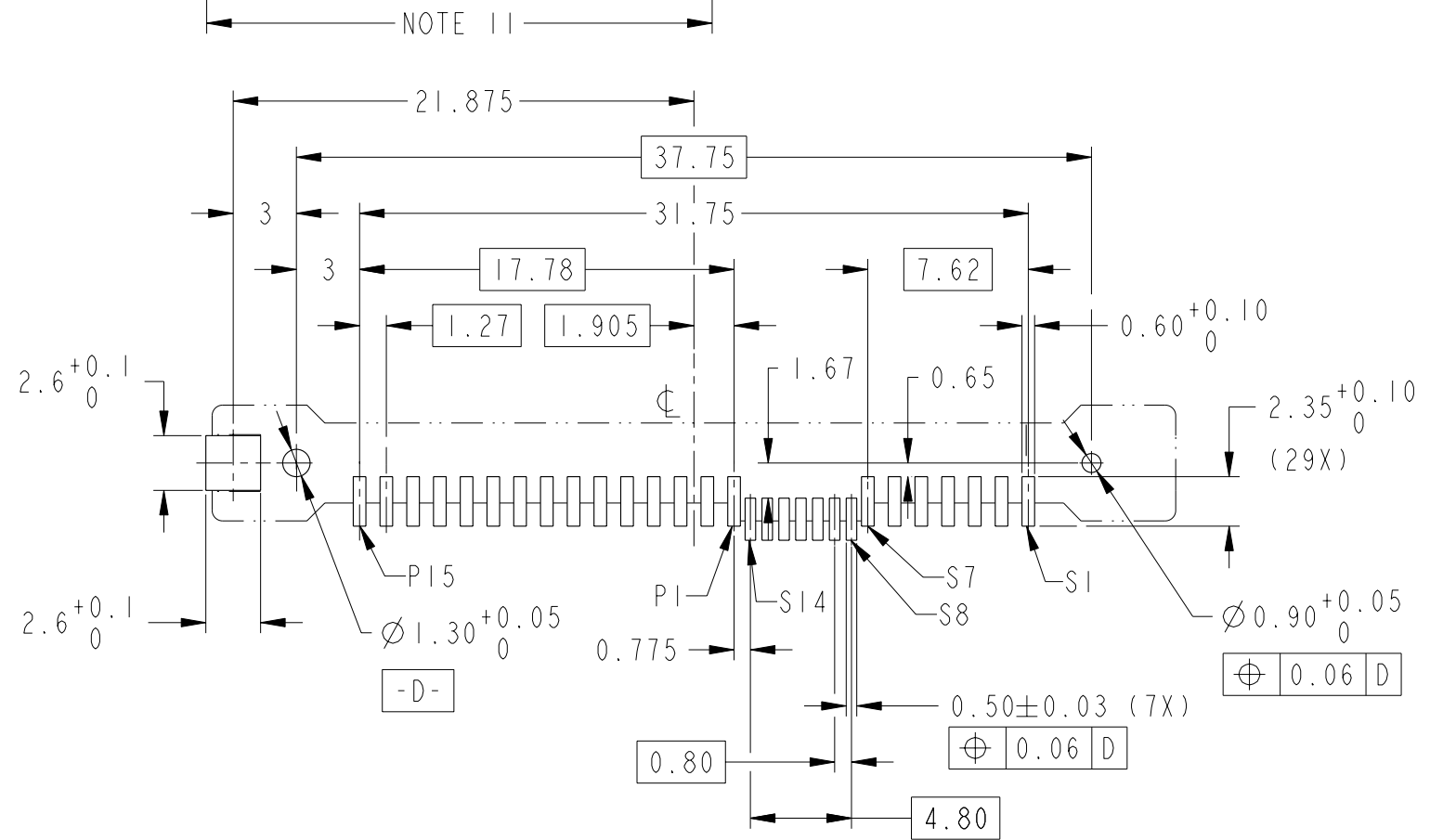
SAS RECEPACLE		10101219	D
VERTICAL SMT TYPE ASSY		Product - Customer Drw	
www.fci.com		sheet 1 of 3	

Copyright FCI.

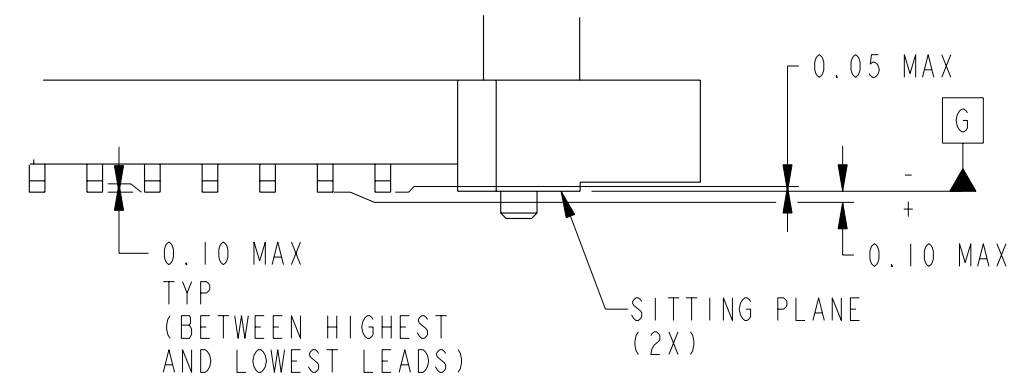
PRODUCT NO	METAL CLIP	PLATING	PICK-UP CAP	PACKAGING	REMARKS	PRODUCT NO	PLATING
10101219-001LF	1 PC	NOTE ②	NO	TRAY	NOTE ⑧	10101219-401LF	NOTE ⑪
10101219-001CLF			YES		NOTES ④ & ⑧	10101219-401CLF	
10101219-001C-TRLF			YES	TAPE & REEL	NOTES ④ ⑥ & ⑧	10101219-401C-TRLF	

NOTES:

1. MATERIAL :
 1) HOUSING : HIGH TEMP THERMOPLASTIC, UL 94V-0, BLACK COLOR
 2) TERMINAL : COPPER ALLOY
 3) HOLD DOWN : COPPER ALLOY
- ② FINISH :
 1) TERMINAL : 30μ" Au PLATING (CONTACT POINT) OVER 50μ" NICKEL
 2) SOLDER TAIL : 100μ" MIN Sn OVER 50μ" NICKEL
 3) HOLD DOWN : 100μ" MIN Sn OVER 50μ" NICKEL
- ③ PER SFF REV 1.1
- ④ PART WITH PICK-UP CAP, P/N XXXXXXXX-XXXX LF.
- ⑤ THE STD PACKAGING IS IN TRAY
- ⑥ FOR TAPE & REEL PACKAGING, SUFFIX "-TR" ADDED, P/N XXXXXXXX-XXXX-TR LF
7. THE HOUSING WILL WITHSTAND EXPOSURE TO 260°C PEAK TEMPERATURE FOR 10 SECONDS IN A CONVECTION, INFRA-RED OR VAPOR PHASE REFLOW OVEN.
- ⑧ THIS PRODUCT MEETS EUROPEAN UNION DIRECTIVES AND OTHER COUNTRY REGULATIONS AS DESCRIBED IN GS-22-008.
- ⑨ PART NUMBERS ENDING IN "LF" MEANS FOR NOTE 8 LEAD FREE IDENTIFICATION
10. A \triangle D SYMBOL WILL BE NEXT TO ANY DIMENSION, VIEW, OR NOTE WHICH HAS BEEN MODIFIED WITH THE CURRENT DRAWING REVISION.
- ⑪ FINISH :
 1) TERMINAL : 15μ" GXT PLATING (CONTACT POINT) OVER 50μ" NICKEL
 2) SOLDER TAIL : 100μ" MIN Sn OVER 50μ" NICKEL
 3) HOLD DOWN : 100μ" MIN Sn OVER 50μ" NICKEL



RECOMMENDED PCB LAYOUT



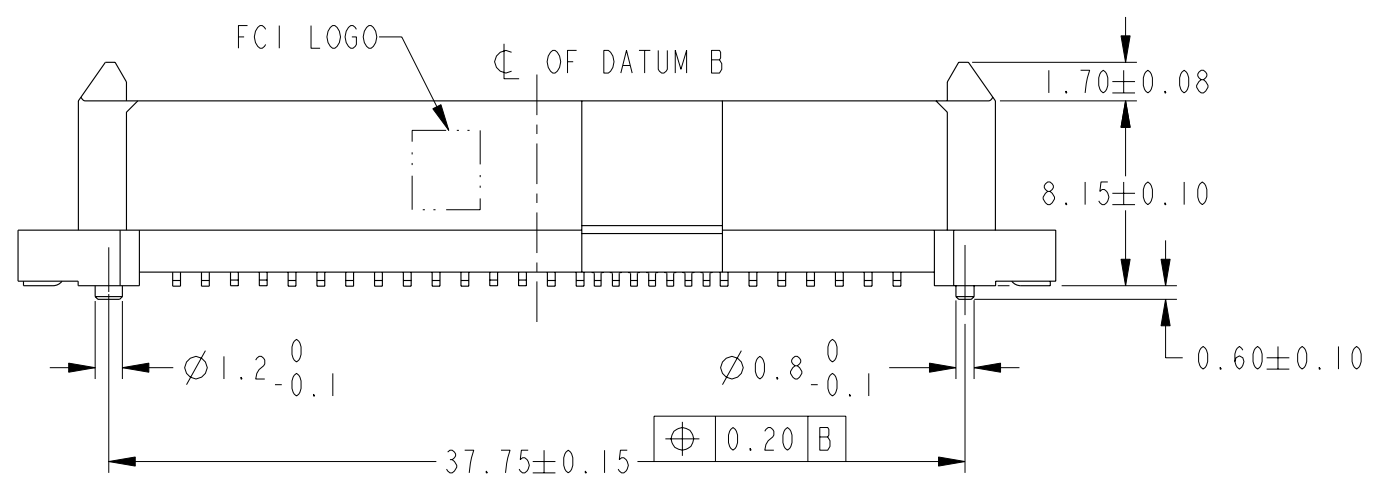
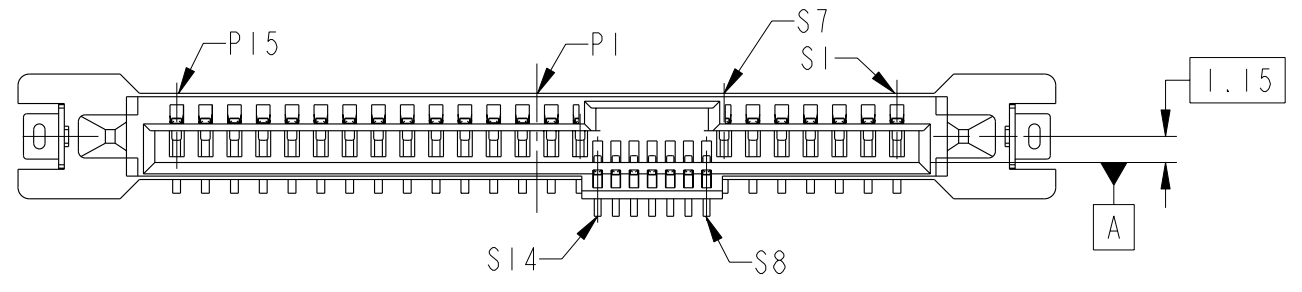
DETAIL 2
SCALE 6:1

spec ref	-	dr	GL LOO	2009-05-04	projection	MM	size	A3	scale	3:1
tolerance std	ISO 406 ISO 1101	eng	GL LOO	2009-05-04			ecn no	S10-0228	rel level	-
TOLERANCES UNLESS OTHERWISE SPECIFIED		chr	GL LOO	2010-10-28						
surface	ISO 1302	appr	JOEY NG	2010-10-28	SAS RECEPTACLE VERTICAL SMT TYPE ASSY		dwg no	10101219	rev	D
	linear	0.X	±-		www.fci.com		cat. no.	-	Product - Customer Drw	sheet 2 of 3
		0.XX	±0.20							
		0.XXX	±-							
	angular	0°	±2°							

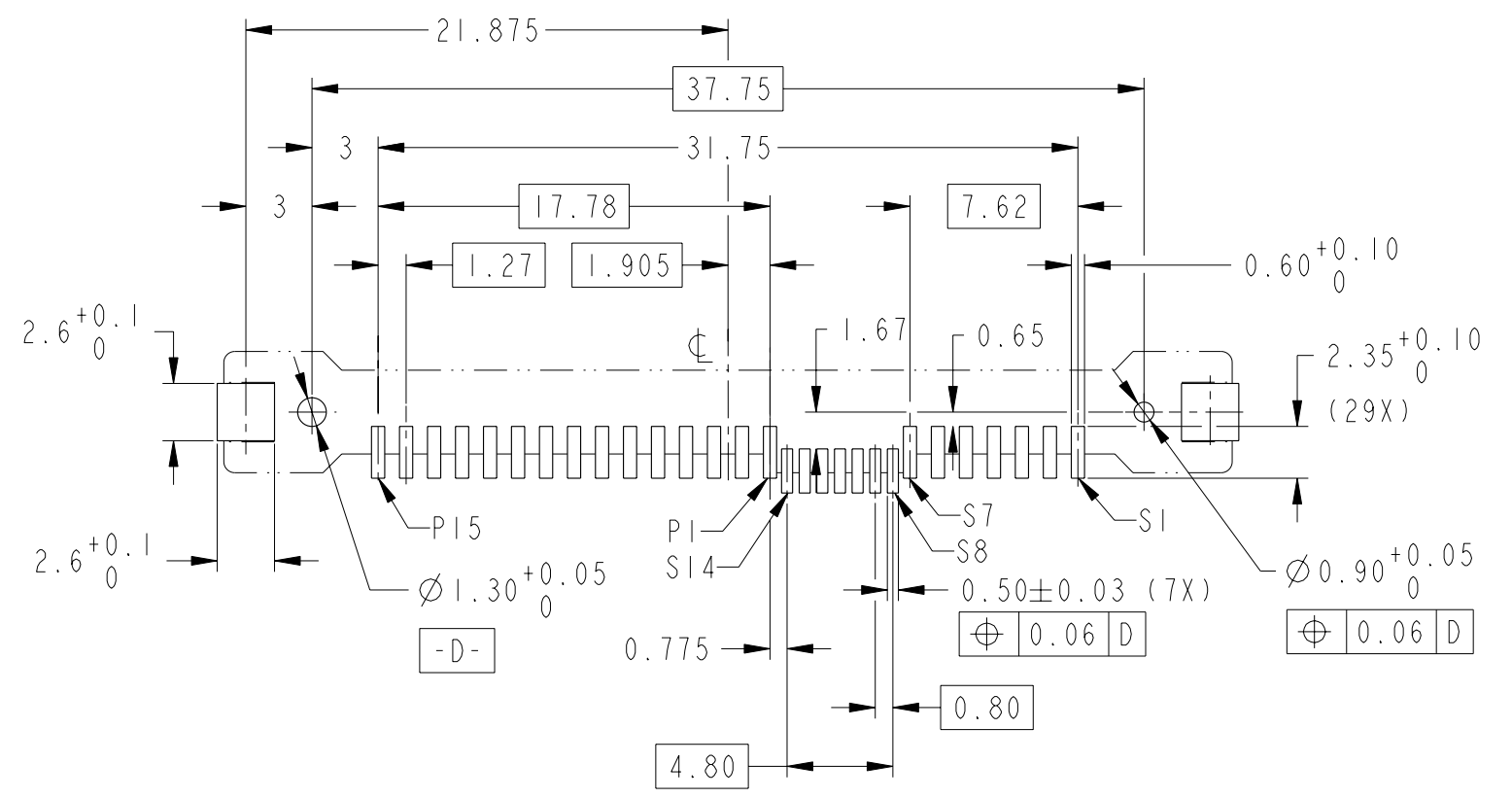


PRODUCT NO	METAL CLIP	PLATING	PICK-UP CAP	PACKAGING	REMARKS	PRODUCT NO	PLATING
10101219-002LF	2 PCS	NOTE ②	NO	TRAY	NOTE ⑧	10101219-402LF	NOTE ⑪
10101219-002CLF			YES		NOTES ④ & ⑧	10101219-402CLF	
10101219-002C-TRLF			YES		NOTES ④, ⑥ & ⑧	10101219-402C-TRLF	

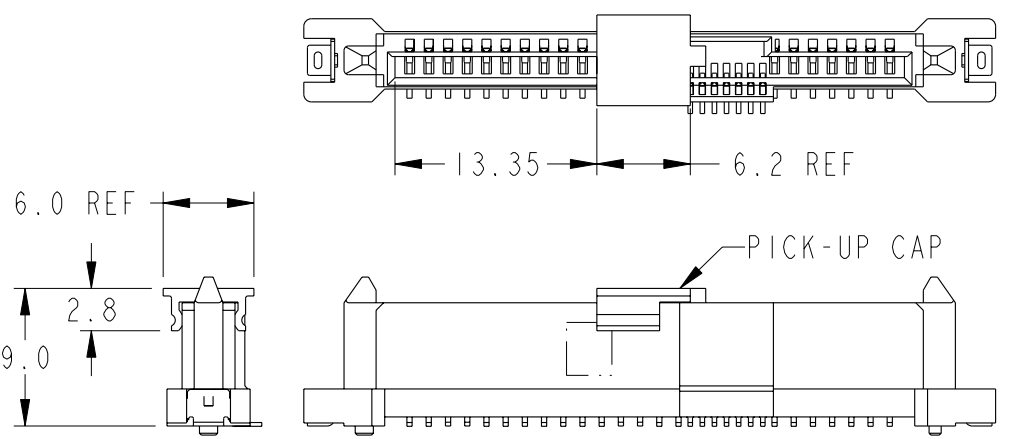
NOTE 11



NOTES:
ALL OTHER DIMENSIONS, REFER TO SHEET 1.



RECOMMENDED PCB LAYOUT



PART WITH PICK-UP CAP, SEE NOTE ④

SCALE 2:1

spec ref	-	dr	GL LOO	2009-05-04	projection	MM	size	A3	scale	3:1
tolerance std	ISO 406 ISO 1101	eng	GL LOO	2009-05-04			ecn no	S10-0228		
	TOLERANCES UNLESS OTHERWISE SPECIFIED	chr	GL LOO	2010-10-28			product family	SAS		
surface	✓	appr	JOEY NG	2010-10-28			rel level	-		
	linear	0.X	±-		SAS RECEPTACLE VERTICAL SMT TYPE ASSY		dwg no 10101219	rev D		
		0.XX	±0.20							
		0.XXX	±-							
	angular	0°	±2°	www.fci.com	cat. no.	-	Product - Customer Drw		sheet 3 of 3	

Copyright FCI.