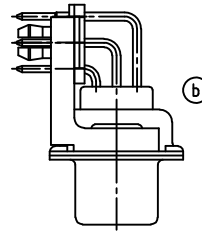
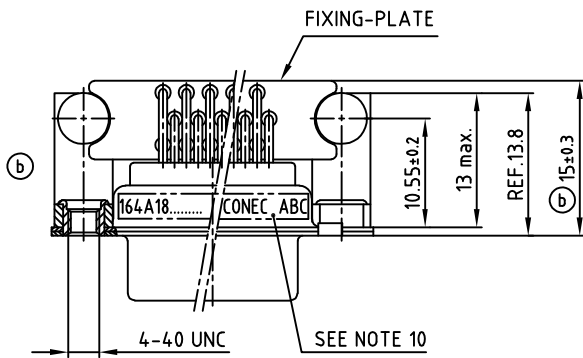
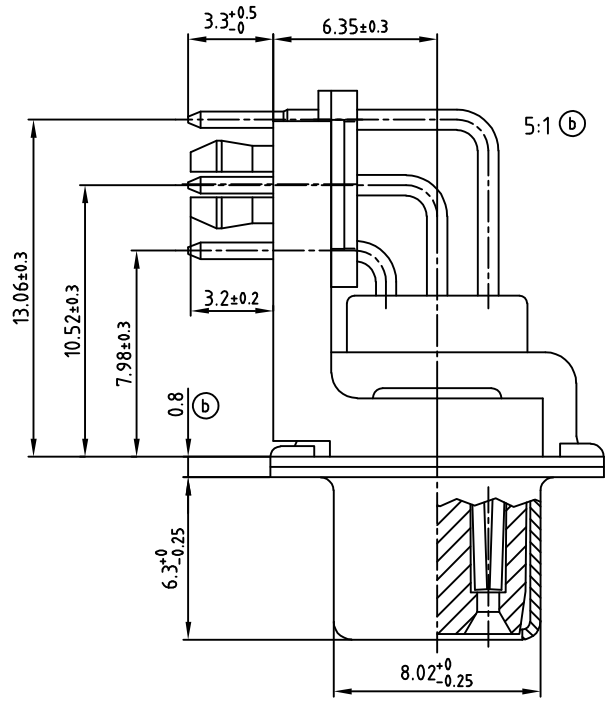
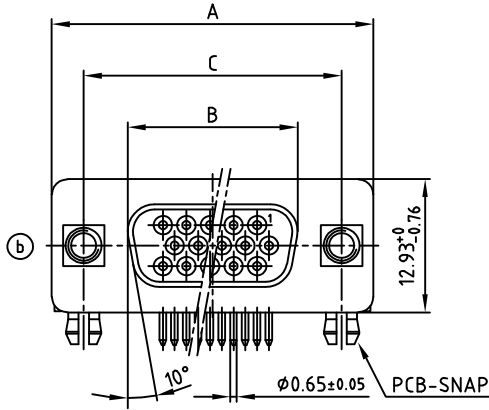


used for: D-SUB HD

POS.	A $-0.76$	B $-0.25$	C	Part NO.
26	39.52	24.79	33.30 $+0.15$ $-0.1$	164A18189X
44	53.42	38.50	47.04 $\pm 0.13$	164A18199X
62	69.70	54.96	63.50 $\pm 0.13$	164A18209X



NOTES:

- METALSHELLS: STEEL; min. 315µm TIN over 40-80µm NICKEL
- INSULATORS: PBT GF UL 94 V-0; BLACK
- CONTACTS: COPPER ALLOY  
PLATING: 8µm HARD GOLD over min. 50µm NICKEL
- METAL BRACKETS: ZINC DIE CAST; 300µm COPPER/40-120µm NICKEL/120-200µm TIN
- THREADED INSERTS: COPPER ALLOY; min. 200µm TIN over 80µm NICKEL
- PCB-SNAPS: COPPER ALLOY; min. 200µm TIN over 80µm NICKEL  
PCB-HOLE:  $\phi 3.1 \pm 0.1$ ; PCB THICKNESS 1.6mm
- FIXING-PLATE: PBT GF UL 94 V-0; BLACK
- P.C.B. HOLE DRILLINGS ON SHEET 2
- MAXIMUM TORQUE VALUE FOR THREAD: 6 in.LB
- CONNECTOR IS PART MARKED: **PART-NO. CONEC ABC**

RoHS compliant

THIS DRAWING MAY NOT BE COPIED OR REPRODUCED IN ANY WAY, AND MAY NOT BE PASSED ON TO A THIRD PARTY WITHOUT WRITTEN PERMISSION. OWNERSHIP AND COPYRIGHT OF CONEC GmbH DO NOT ALTER CAD DRAWING BY HAND

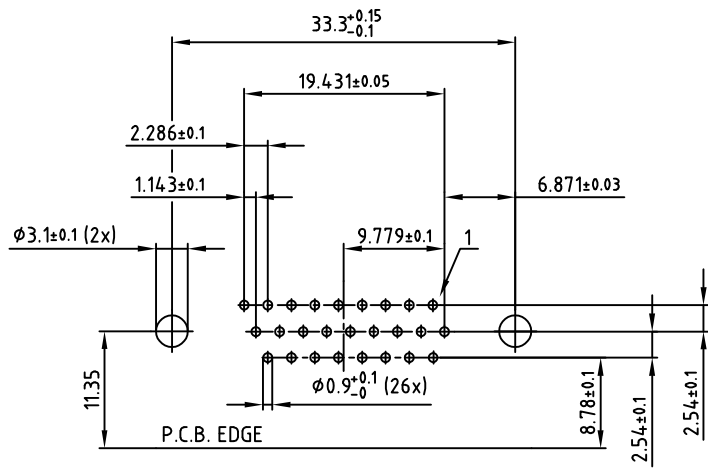
rev.	description	date	name	tolerance	dim. in mm
2 x c	Ä 3543	14.01.2010	Lehmen	2001	
8 x b	Ä 3524	10.12.2009	Lehmen	drawn	22.11. Parei
a	Origin			appd.	22.11. Resonnek
				norm	DIN 41652



scale:	2:1 (5:1)
material:	SEE NOTES
title:	D-SUB HD FEMALE 90° 26-62pos. 0.350inch thread insert, metal bracket, fixing-plate, snap
dwg no:	AutoCAD 2006 DIN-A 3
part no:	SEE TABLE

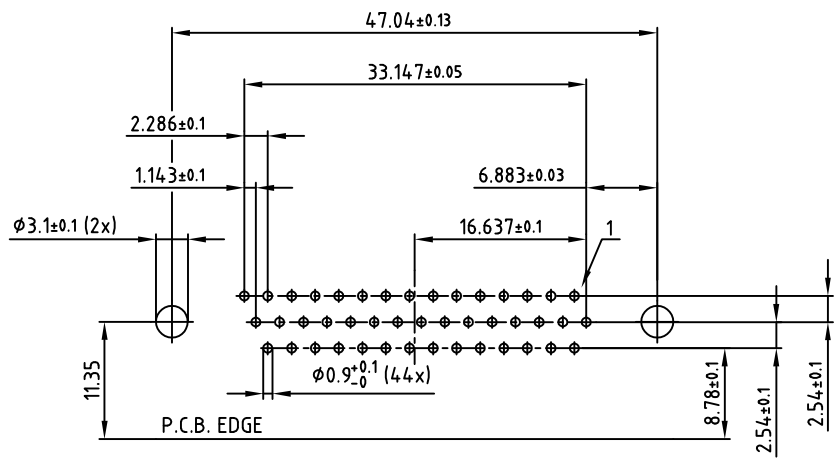
sh:1/2

used for: D-SUB HD

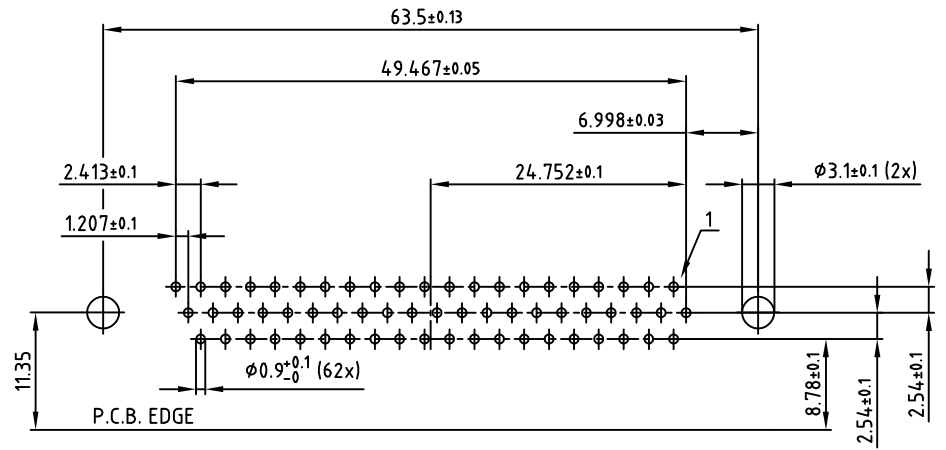


26pos.

P.C.B. HOLE DRILLINGS  
( P.C.B. TOP SIDE )



44pos.



62pos.

THIS DRAWING MAY NOT BE COPIED OR REPRODUCED IN ANY WAY, AND MAY NOT BE PASSED ON TO A THIRD PARTY WITHOUT WRITTEN PERMISSION. OWNERSHIP AND COPYRIGHT OF CONEC GmbH DO NOT ALTER CAD DRAWING BY HAND

rev.	description	date	name
1 x c	Ä 3543	14.01.2010	Lehmen
a	Origin		

2009	date	name
drawn	10.12.	Lehmenkühler
appd.	10.12.	Fischer
norm		
d-old		

tolerance	dim. in mm	scale:	2:1
		material:	SEE SHEET 1
		title:	© P.C.B. HOLE DRILLINGS D-SUB HD FEMALE 90° 26-62pos. 0.350inch thread insert,metal bracket,fixing-plate,snap
		dwg no:	AutoCAD 2006 DIN-A 3 sh:2/2
		part no:	SEE SHEET 1

