

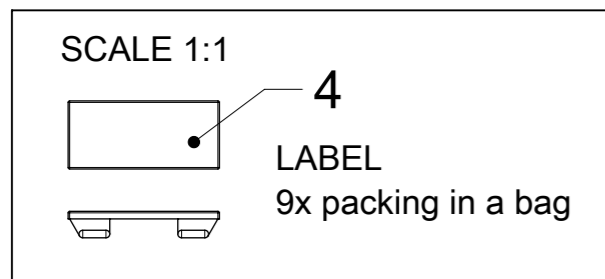
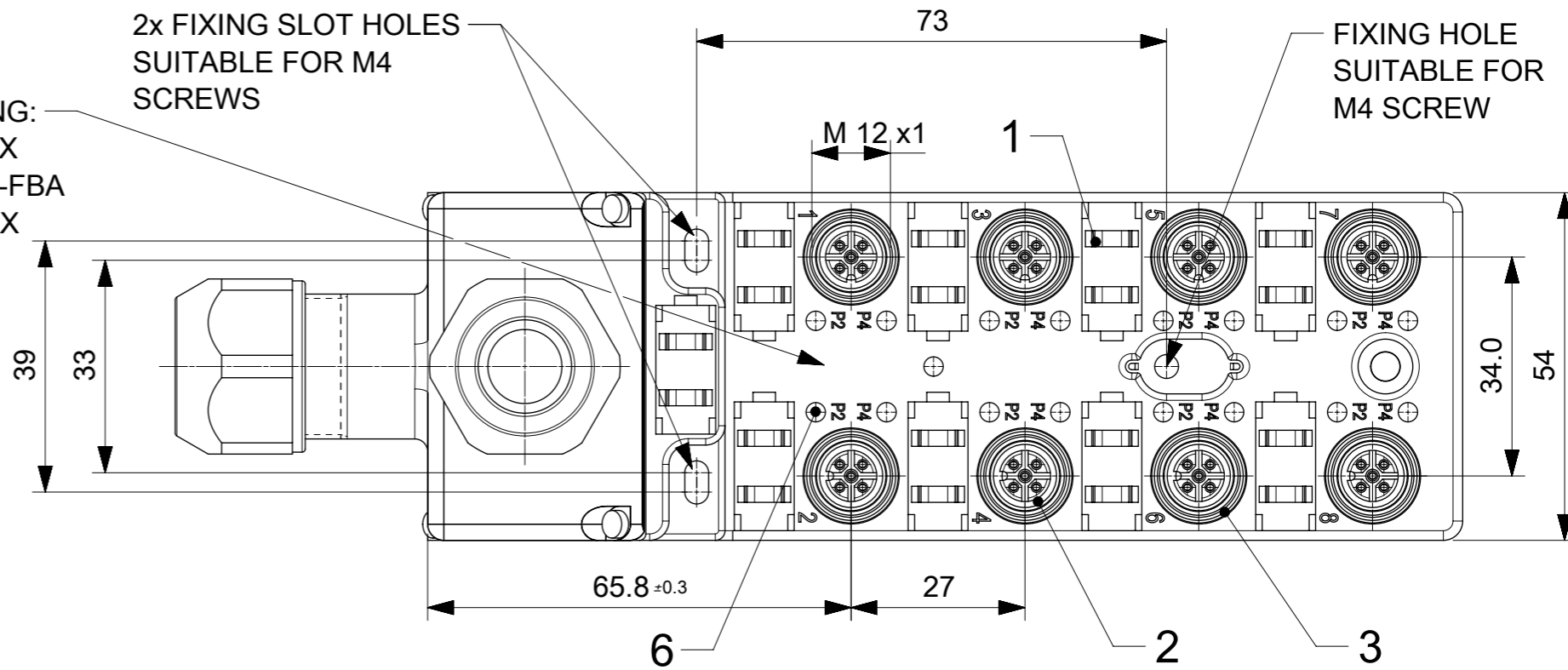
TABLE 1

MOLEX P/N	ENG. NO.	LED
1202480087	BTB803P-FBA	YES

TABLE 2 BILL OF MATERIAL

ITEM	DESCRIPTION	MATERIAL	FINISH
1	CONTACT	BRONZE	GOLD OVER NICKEL
2	O-RING	FPM	RED
3	SHELL	BRASS	NICKEL PLATED
4	LABEL	ABS	WHITE
5	HOUSING	PBT	BLACK
6	LED	PA	TRANSPARENT
7	O-RING	NBR	BLACK
8	CLAMPBOX	PBT	BLACK
9	NUT	PA	BLACK
10	GASKET	NBR	BLACK

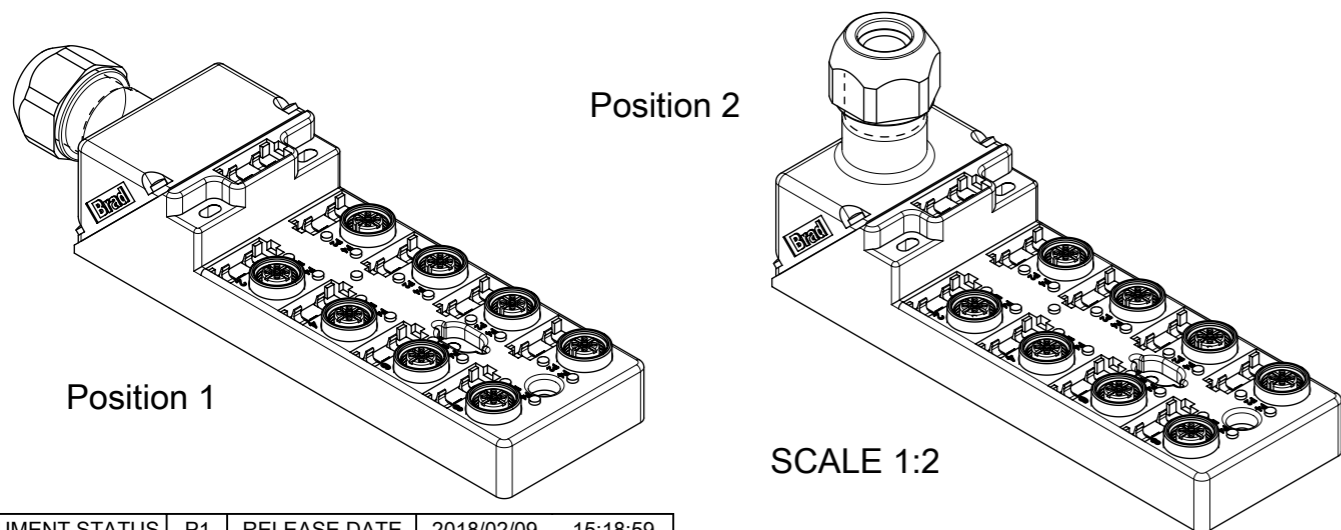
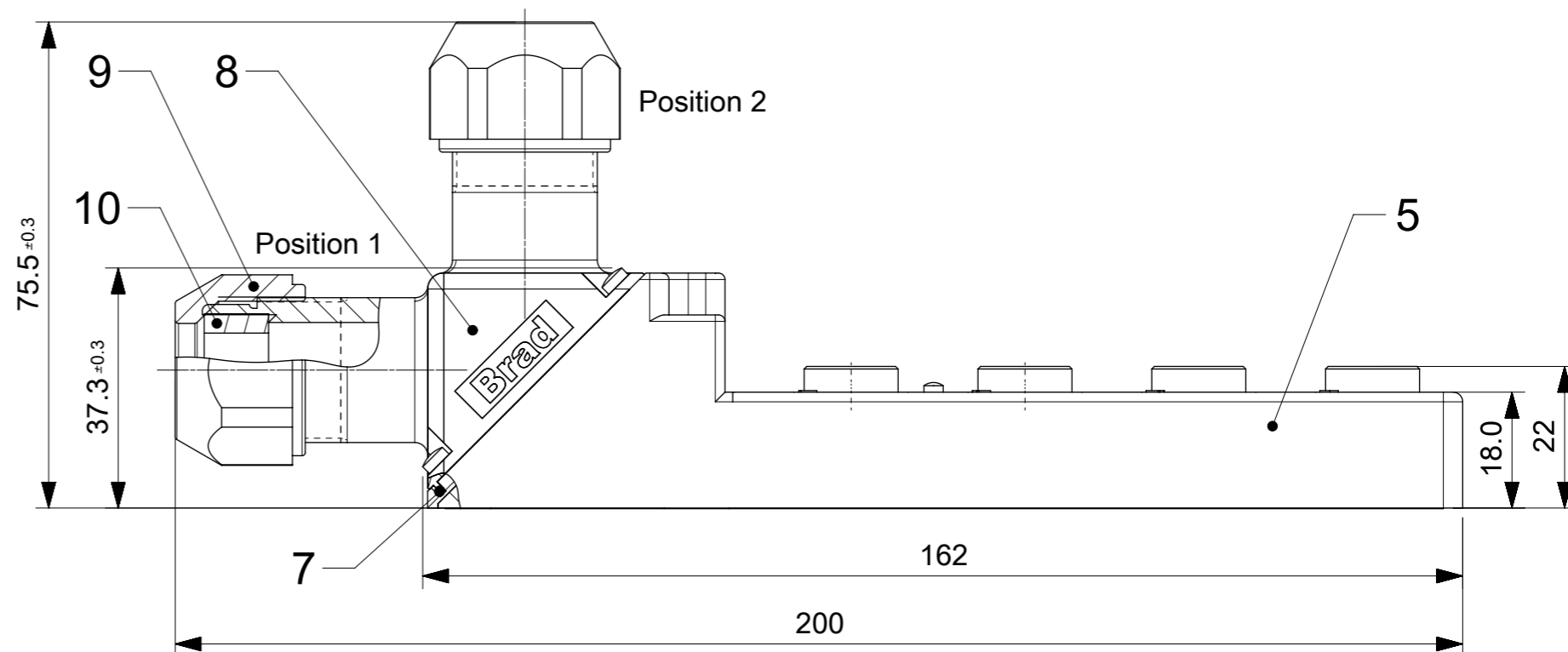
LASER PRINTING:
 PN: 120248XXXX
 ENG.: BTB803X-FBA
 PO: XXXXXXXXXX



GENERAL CHARACTERISTICS:

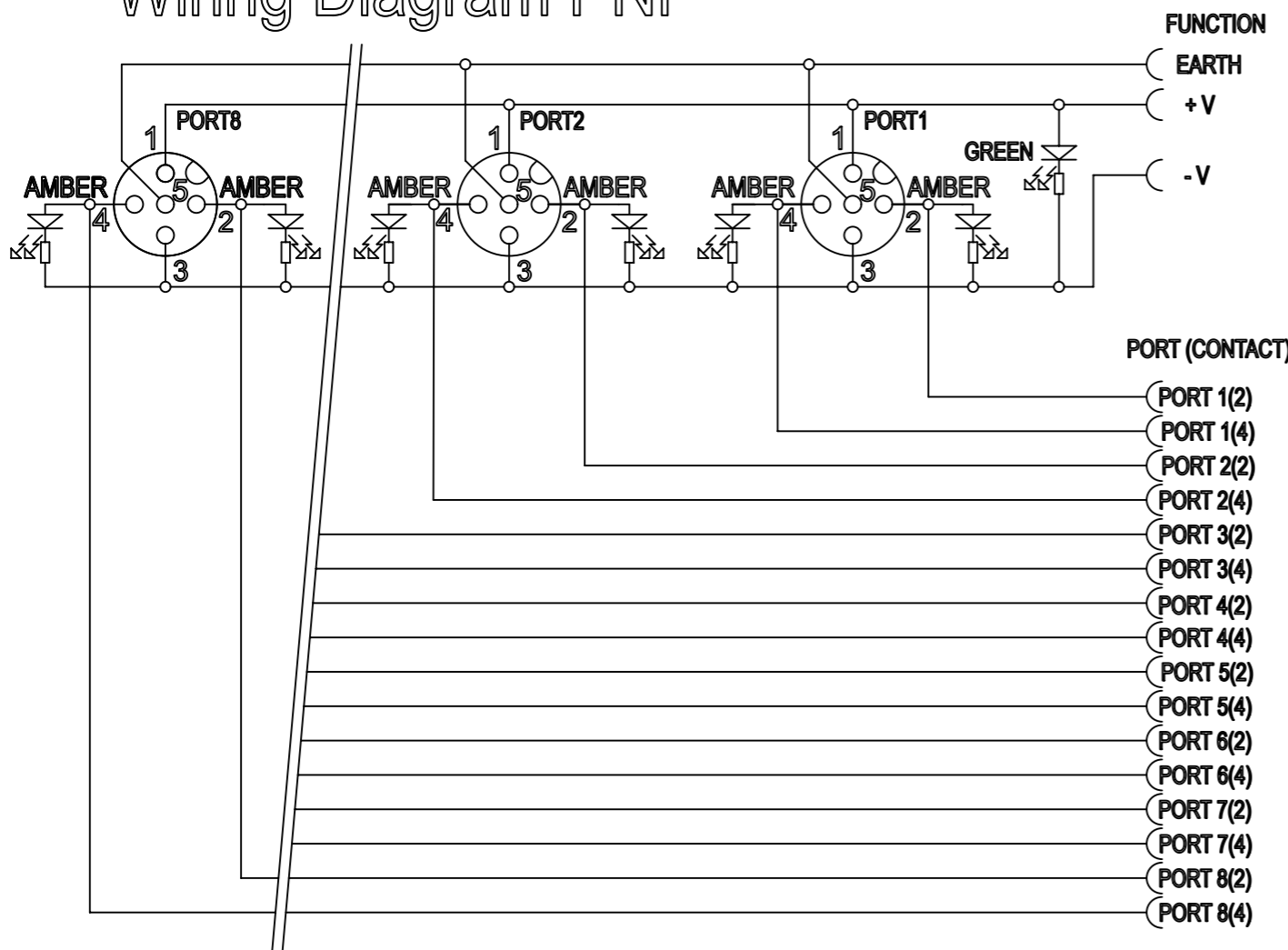
ELECTRICAL AND MECHANICAL DATA ACC. TO IEC 61076-2-101

NOMINAL VOLTAGE: 10-30 V DC
 AMPERE RATING: 4 A PER PORT / 12 A MAX
 AMPERE RATING WITH UL REGISTRATION: 3 A PER PORT / 9 A MAX
 IP DEGREE OF PROTECTION: IP 67
 TEMPERATURE RANGE: -25°C to + 85°C



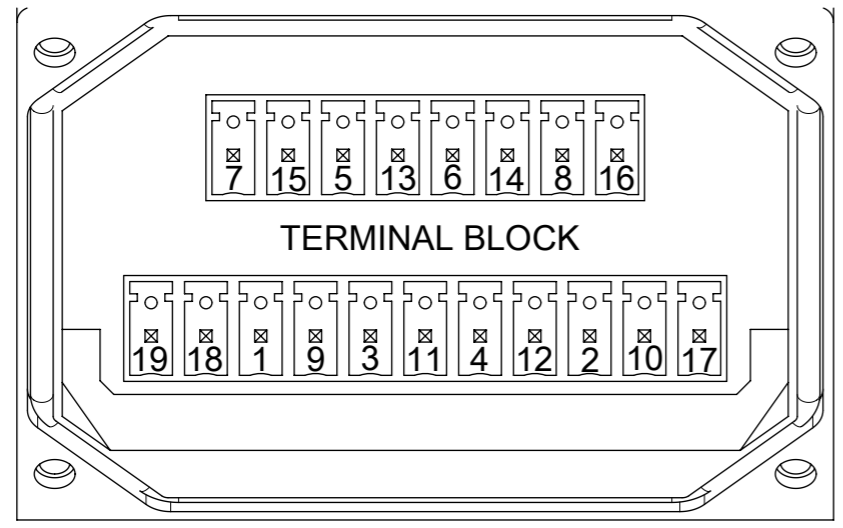
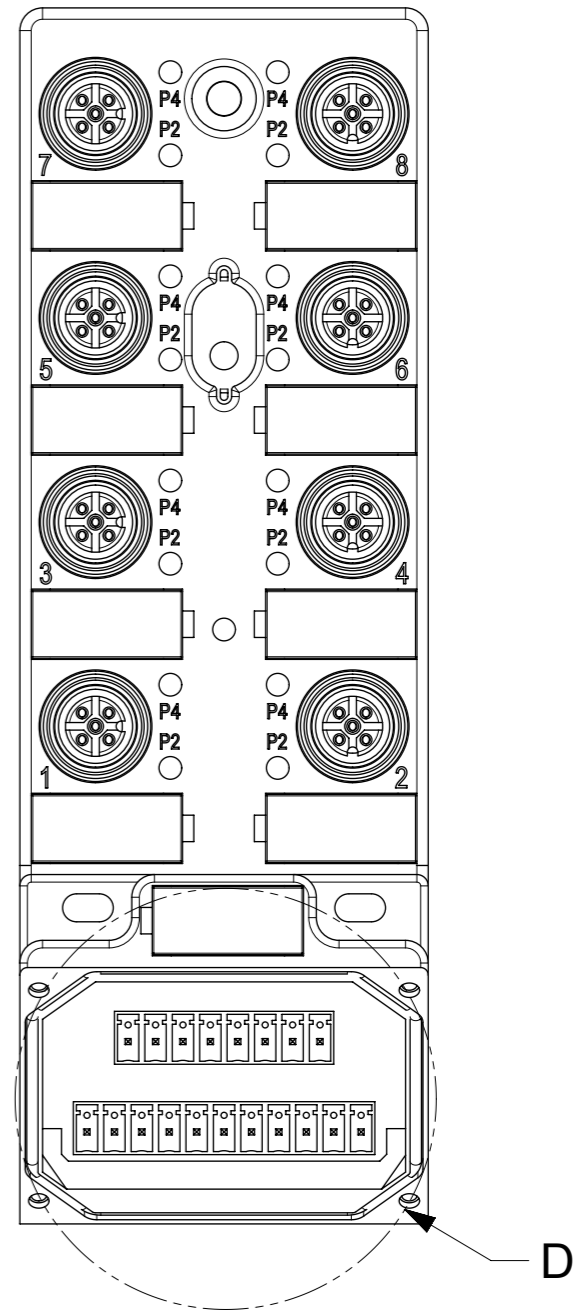
SYMBOLS	THIS DRAWING CONTAINS INFORMATION THAT IS PROPRIETARY TO MOLEX ELECTRONIC TECHNOLOGIES, LLC AND SHOULD NOT BE USED WITHOUT WRITTEN PERMISSION	CURRENT REV DESC: LASER PRINTING ADDED		molex		
	DIMENSION UNITS	SCALE				
▽ = 0	mm			PRODUCT CUSTOMER DRAWING		
▽ = 0	GENERAL TOLERANCES (UNLESS SPECIFIED)			DOCUMENT NUMBER		
▽ = 0	ANGULAR TOL ± °			1202480087		
▽ = 0	4 PLACES ±			DOC TYPE DOC PART REVISION		
▽ = 0	3 PLACES ±			PSD 000 A4		
▽ = 0	2 PLACES ±			INITIAL REVISION:		
▽ = 0	1 PLACE ± 0.2			DRWN: AAHLERS 2015/04/09		
▽ = 0	0 PLACES ± 0.3			APPR: JALEXANDER 2015/05/28		
■ = 0	DRAFT WHERE APPLICABLE MUST REMAIN WITHIN DIMENSIONS			THIRD ANGLE PROJECTION		
▽ = 0				DRAWING		
				SERIES		
				MATERIAL NUMBER		
				CUSTOMER		
				SHEET NUMBER		
				A3-SIZE 120248		
				SEE TABLE 1		
				GENERAL MARKET		
				1 OF 2		

Wiring Diagram PNP



- TERMINAL BLOCK NUMBER**
- PIN19
 - PIN17
 - PIN18

- TERMINAL BLOCK NUMBER**
- PIN 9
 - PIN 1
 - PIN 10
 - PIN 2
 - PIN 11
 - PIN 3
 - PIN 12
 - PIN 4
 - PIN 13
 - PIN 5
 - PIN 14
 - PIN 6
 - PIN 15
 - PIN 7
 - PIN 16
 - PIN 8



DETAIL D
SCALE 2:1

SYMBOLS		THIS DRAWING CONTAINS INFORMATION THAT IS PROPRIETARY TO MOLEX ELECTRONIC TECHNOLOGIES, LLC AND SHOULD NOT BE USED WITHOUT WRITTEN PERMISSION	
▽ = 0	DIMENSION UNITS	SCALE	CURRENT REV DESC: LASER PRINTING ADDED
▽ = 0	mm		
▽ = 0	GENERAL TOLERANCES (UNLESS SPECIFIED)		
▽ = 0	ANGULAR TOL	±	°
▽ = 0	4 PLACES	±	
▽ = 0	3 PLACES	±	
▽ = 0	2 PLACES	±	
▽ = 0	1 PLACE	±	0.2
▽ = 0	0 PLACES	±	0.3
■ = 0	DRAFT WHERE APPLICABLE MUST REMAIN WITHIN DIMENSIONS		
▽ = 0	THIRD ANGLE PROJECTION	DRAWING	SERIES
		A3-SIZE	120248
		MATERIAL NUMBER	CUSTOMER
		1202480087	GENERAL MARKET
		DOCUMENT NUMBER	DOC TYPE DOC PART REVISION
		1202480087	PSD 000 A4
		SHEET NUMBER	
		2 OF 2	