



NS-205-IP67

Industrial 5-port unmanaged IP67 Ethernet switch

Features

- Automatic MDI/MDI-X crossover for plug-and-play
- Store-and-forward architecture
- Each port supports both 10/100 Mbps speed auto negotiation
- Full duplex IEEE 802.3x and half duplex backpressure flow control
- Rugged RJ-45 connector for anti-vibration and shock
- IP67 grade protection approval



Introduction

The NS-205-IP67 is designed for industrial applications in harsh environments. The rugged RJ-45 ensure tight, robust connections, and guarantee reliable operation, even for applications that are subject to high vibration and shock. The Ethernet switch support IEEE 802.3/802.3u/802.3x with 10/100M, full/half-duplex, MDI/MDI-X auto-sensing, and provide an economical solution for your industrial Ethernet network.

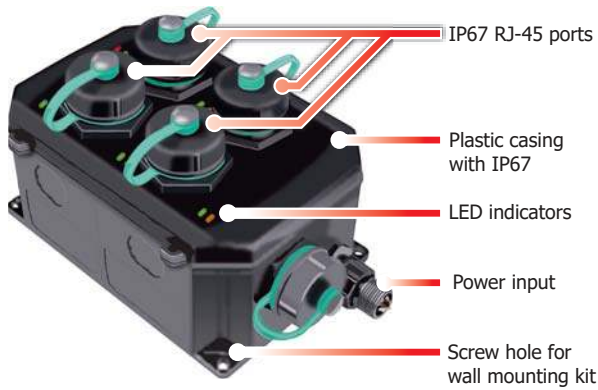
Specifications

| LED Indicators | |
|-----------------------------|---|
| Status | PWR, 10/100M, Link/Act |
| Ethernet | |
| Ports | 5 x RJ-45, 10/100Base-TX |
| Standards | EEE 802.3, 802.3u, 802.3x, 10/100 Base-T(X) auto negotiation speed, F/H duplex mode, and auto MDI/MDI-X connection |
| Processing Type | Store & forward; wire speed switching |
| MAC Table | 1024 |
| Memory Bandwidth | 1.4 Gbps |
| Frame Buffer Memory | 256 Kbit |
| Flow Control | IEEE 802.3x flow control, back pressure flow control |
| Isolation | 1500 Vrms 1 minute |
| Power | |
| Reverse Polarity Protection | Yes |
| Input Range | +10 ~ +30 VDC (1 kV Isolated) |
| Consumption | 0.12 A @ 24 VDC |
| Mechanical | |
| Casing | Plastic |
| Dimensions (mm) | 85 x 137 x 76 (W x L x H) |
| Installation | Wall mounting |
| Ingress Protection Rating | IP67 for Operating Temperature -10 °C ~ +60 °C IP66 for Operating Temperature -40 °C ~ +75 °C |
| Environment | |
| Operating Temperature | -10 °C ~ +60 °C (Protection rating IP67) -40 °C ~ +75 °C (Protection rating IP66) |
| Storage Temperature | -10 °C ~ +60 °C (Protection rating IP67) -40 °C ~ +75 °C (Protection rating IP66) |
| Humidity | 100% RH for Operating Temperature -10 °C ~ +60 °C 10% ~ 90% RH, non-condensing for Operating Temperature -40 °C ~ +75 °C |

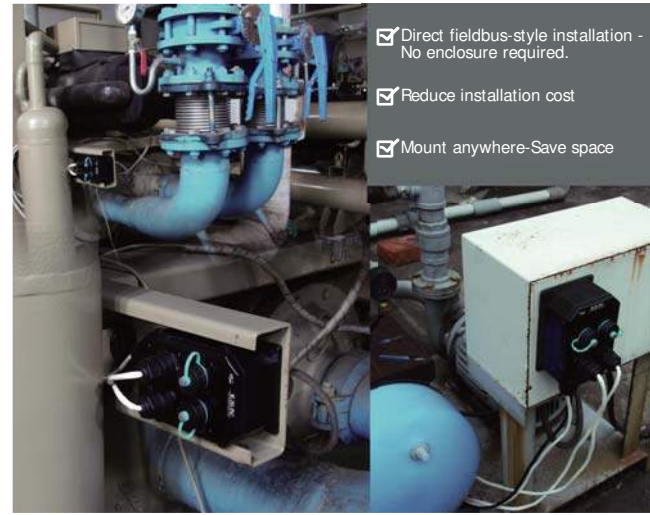
Comparison Table of 5/8-port IP67 Ethernet Switch

| Mode Name | NS-205-IP67 | NS-208PSE-IP67 | NS-208-IP67 |
|-----------------------------------|-----------------------------------|-------------------|-------------------|
| PoE | - | 802.3af x 8 | - |
| Input Voltage Range | +10 VDC ~ +30 VDC (1 kV Isolated) | +46 VDC ~ +53 VDC | +12 VDC ~ +53 VDC |
| Installation | Wall Mounting | | |
| Dimensions (W x L x H) (Unit: mm) | 85 x 137 x 76 | 190 x 155 x 104 | |

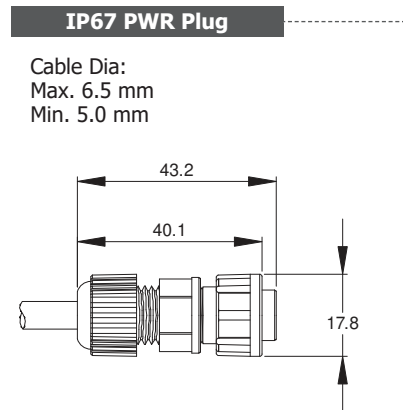
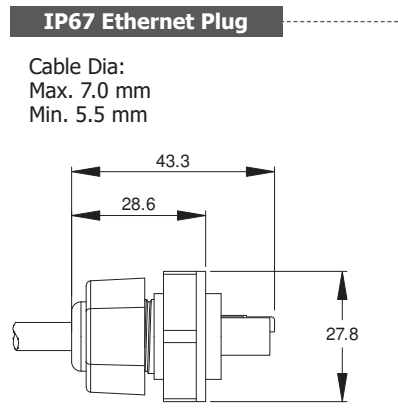
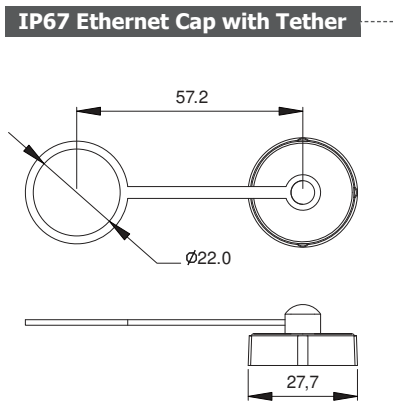
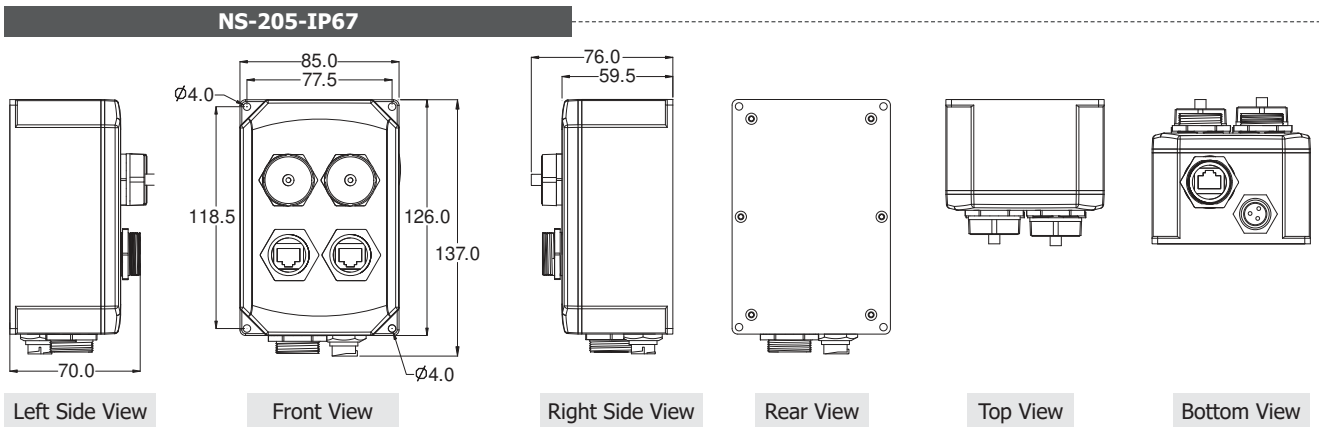
Appearance



Applications



Dimensions (Units: mm)



Industrial IP67 5-port Unmanaged Ethernet Switch

• NS-205-IP67



IP67 grade protection approval
Rugged RJ-45 connector for anti-vibration and shock

Ordering Information

| | |
|-----------------------|--|
| NS-205-IP67 CR | Industrial 5-port unmanaged IP67 Ethernet switch (RoHS) Includes 4SASO-0001 (IP67 RJ-45 Plug) x 5, 4SASO-0004 (Cap with Tether) x 5 and 4SIO1K0000016 (IP67 Power Plug) x 1 |
|-----------------------|--|

Accessories

| | | |
|--|--|---|
| <p style="text-align: center;">IP67 RJ-45 Plug</p>  <p style="text-align: center;">4SASO-001</p> | <p style="text-align: center;">IP67 Power Plug</p>  <p style="text-align: center;">4SIO1K0000016</p> | <p style="text-align: center;">Cap with Tether</p>  <p style="text-align: center;">4SASO-0004</p> |
|--|--|---|