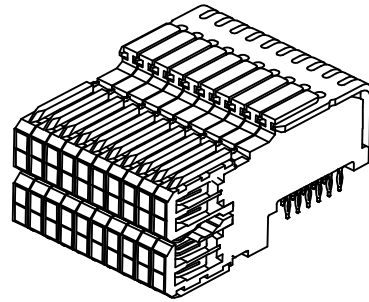


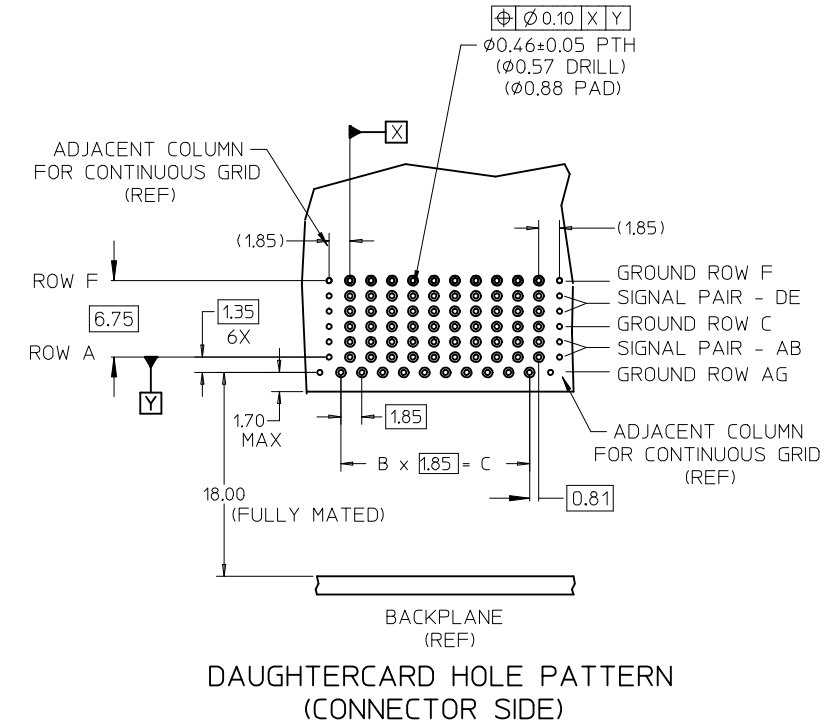
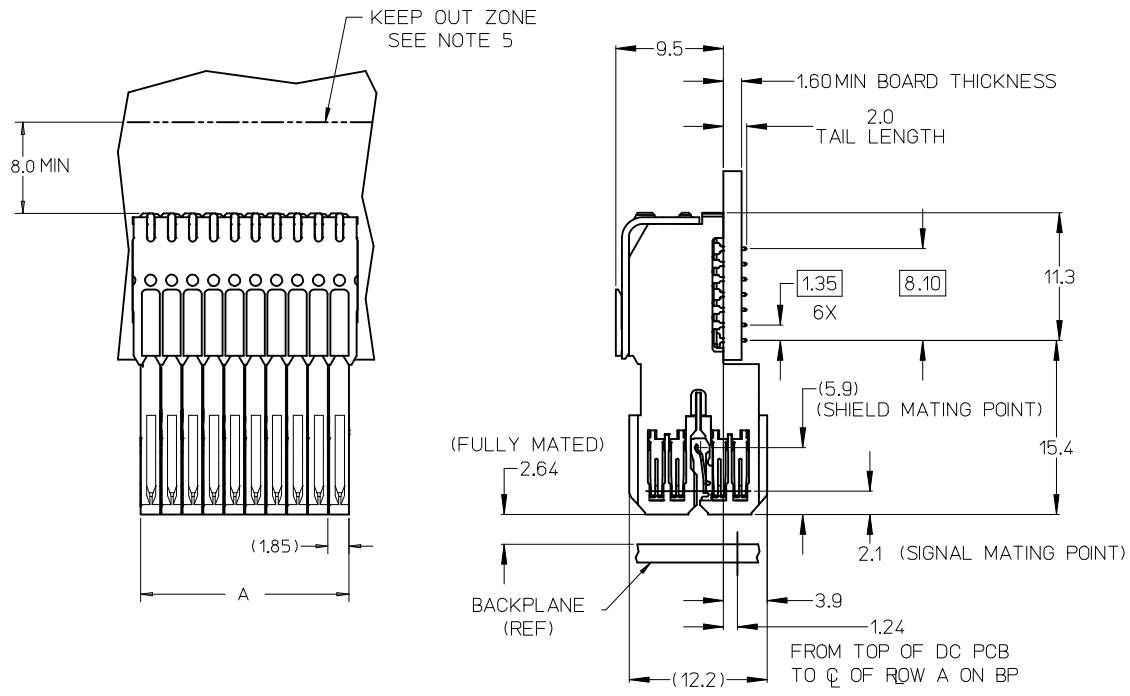
NOTES: (UNLESS OTHERWISE SPECIFIED)

1. MATERIALS: HOUSING - LIQUID CRYSTAL POLYMER (LCP),
GLASS-FILLED, UL94V-0
TERMINALS - HIGH PERFORMANCE COPPER ALLOY
2. FINISH: SELECTIVE GOLD (Au) IN CONTACT AREA,
SELECTIVE MATTE TIN (Sn) ON PCB TAILS,
NICKEL (Ni) OVERALL.
3. REFER TO MOLEX PRODUCT SPECIFICATION PS-75221-999 FOR
PERFORMANCE SPECIFICATIONS.
4. SIGNAL WAFERS ARE SUPPLIED ON A STAINLESS STEEL STIFFENER
IN GROUPS OF 10 OR 25.
5. THE SPECIFIED KEEP-OUT ZONE IS REQUIRED FOR CONNECTOR REPAIRABILITY.
6. ROWS A,B,D AND E ARE SIGNAL ROWS.
7. ROWS AG, C AND F ARE GROUND ROWS.
8. MAPS (MOLEX ADVANCE PLATING SYSTEM).



MATERIAL NUMBER	MINIMUM GOLD PLATING	TAIL PLATING DESCRIPTION
* 75651-0001	0.76 MICROMETERS (30 MICROINCHES)	MATTE TIN
* 75651-0051	1.27 MICROMETERS (50 MICROINCHES)	MATTE TIN
75651-0031	0.76 MICROMETERS (30 MICROINCHES)	MATTE TIN
75651-0011	0.25 MICROMETERS MAPS (10 MICROINCHES)	MATTE TIN

* FORMERLY TIN/LEAD



DAUGHTERCARD HOLE PATTERN (CONNECTOR SIDE)

NUMBER OF SIGNAL WAFERS	A	B	C
10	18.50	9	16.65
25	46.25	24	44.40

UPDATE NOTES & TABLE EC NO: UCP2013-3526 DRWNS:VANG01 2013/04/19 CHKD:MMOLFE 2013/04/19 APPR:SMILLER 2013/06/24 REVISIONS 1 2 3	QUALITY SYMBOLS ∇=0 ∇=0 ∇=0	GENERAL TOLERANCES (UNLESS SPECIFIED) mm INCH 4 PLACES ± --- ± --- 3 PLACES ± --- ± --- 2 PLACES ± 0.13 ± --- 1 PLACE ± 0.25 ± --- 0 PLACE ± ±	DIMENSION STYLE MM ONLY DRAWN BY DATE KMULVEY 05/12/28 CHECKED BY DATE JMYCZEK 05/12/28 APPROVED BY DATE CBIXLER 05/12/28	SCALE DESIGN UNITS METRIC THIRD ANGLE PROJECTION	TITLE GBX 2 PAIR DAUGHTERCARD SIGNAL WAFER SALES DRAWING molex	
	ANGULAR ±1/2° DRAFT WHERE APPLICABLE MUST REMAIN WITHIN DIMENSIONS		MATERIAL NO. SEE TABLE	DOCUMENT NO. SD-75651-001	SHEET NO. 1 OF 1	
	THIS DRAWING CONTAINS INFORMATION THAT IS PROPRIETARY TO MOLEX. INCORPORATED AND SHOULD NOT BE USED WITHOUT WRITTEN PERMISSION					
	SIZE C					