

PART NAME: KNOB

SCALE: 1:1

DATE: 8/22/05

DR. BY JAM

DAVIES MOLDING COMPANY
CAROL STREAM, ILLINOIS 60188

P/N 2310-G

M NO. 2310

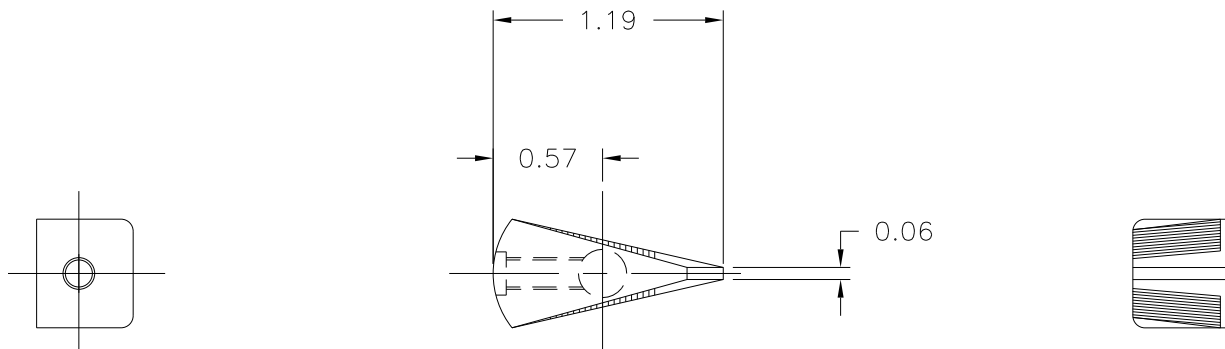
CAVITY 2310

PLUNGER 2310

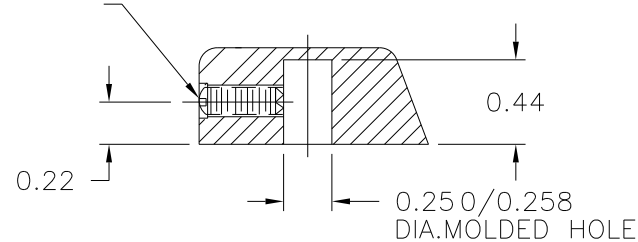
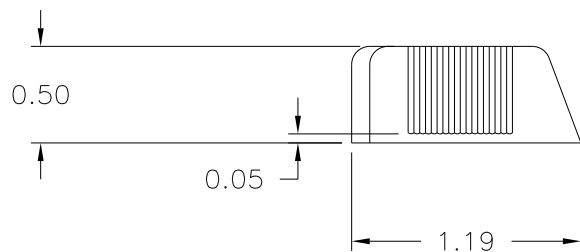
PIN 2310

SET SCREW I0022

THIS DRAWING IS THE PROPERTY OF DAVIES MOLDING COMPANY, IS SUBMITTED SOLELY AS A DESIGN OR ENGINEERING PROJECT. WE ACCEPT NO RESPONSIBILITY WHATSOEVER FOR THE PRACTICAL APPLICATION OF THE PIECES MADE TO THIS DESIGN.



C'SK (.177 DIA) X .06 DEEP
DRILL # 29(.136 DIA),
#8-32 TAP.
8-32 THD'D. X 7/16 LG. CUP POINTED,
SLOTTED TYPE, SET SCREW I0022,



MATERIAL: MUP32 UREA FORMALDEHYDE (V32)
COLOR: IVORY

TOLERANCES: UNLESS OTHERWISE SPECIFIED	DO NOT SCALE DRAWING			
DECIMALS: X.XXX ± .005 X.XX ± .015	MM: X.XX ± 0.15MM X.X ± 0.4MM	-	WAS SK2310-06	JAM 8/22/05
FRACTIONS ± 1/64	ANG. ± 1°	CHANGES		