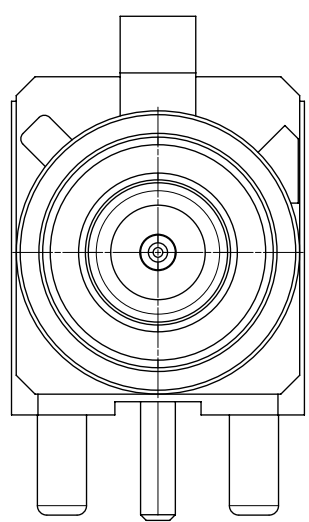
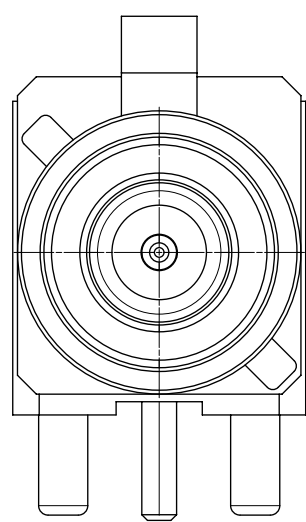


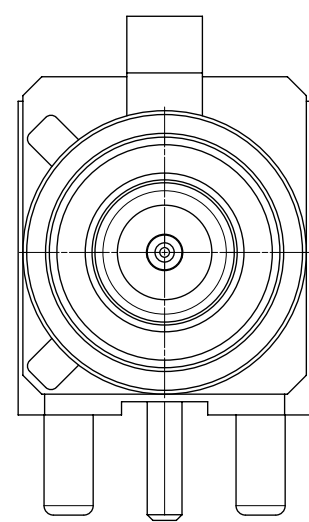
CODE-A



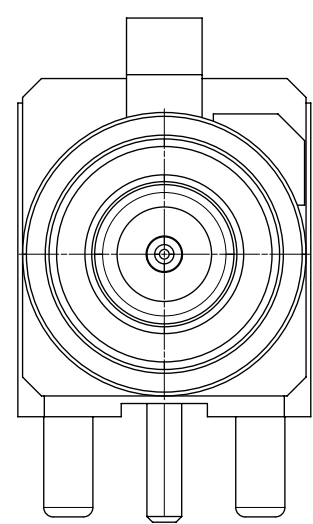
CODE-B



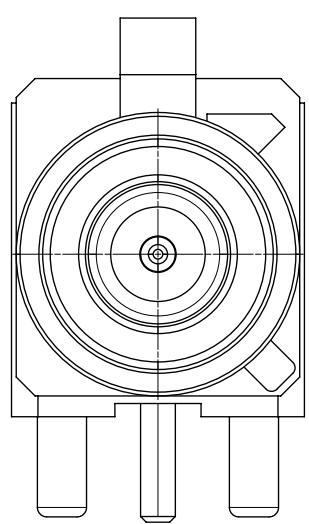
CODE-C



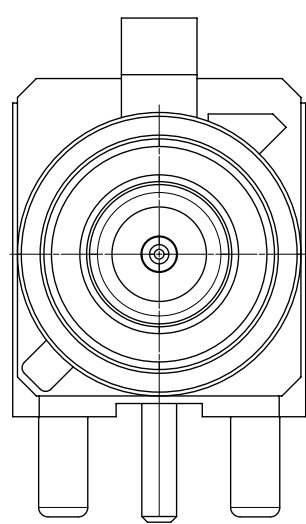
CODE-D



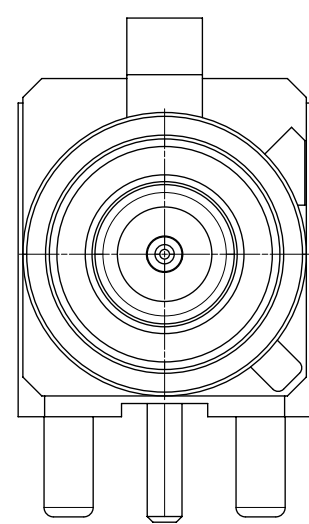
CODE-E



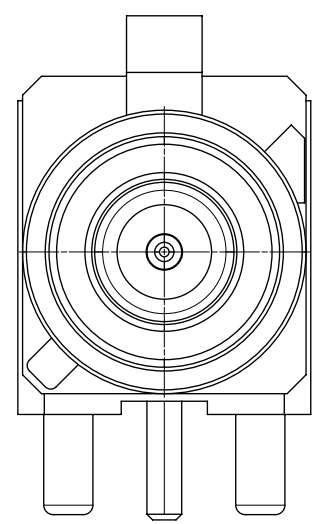
CODE-F



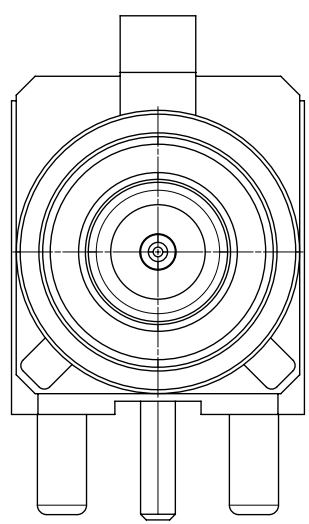
CODE-G



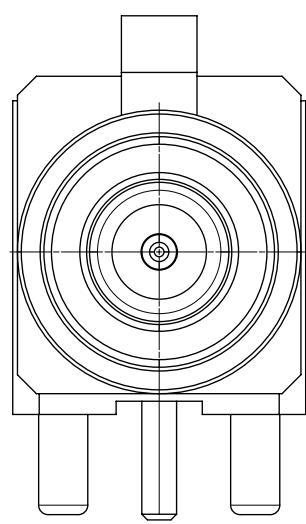
CODE-H



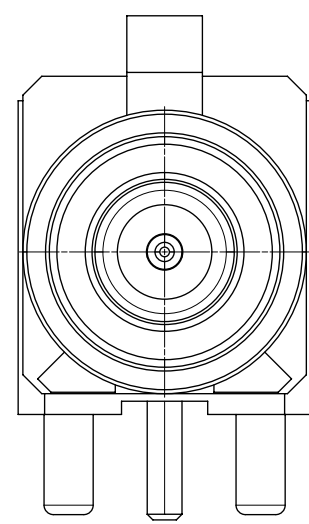
CODE-I



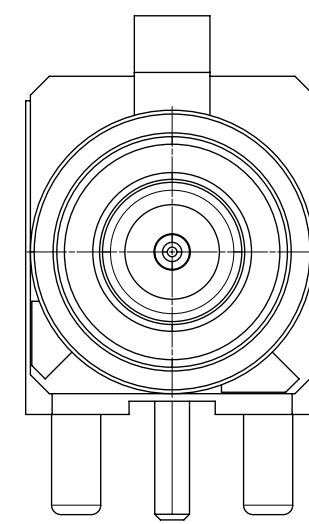
CODE-K



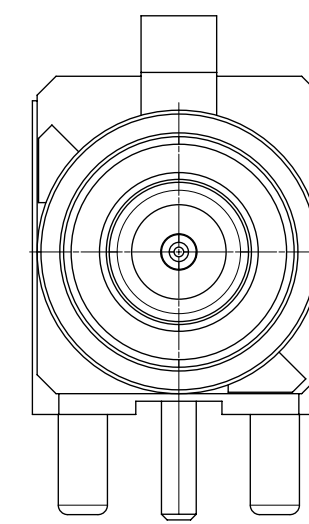
CODE-Z



CODE-L



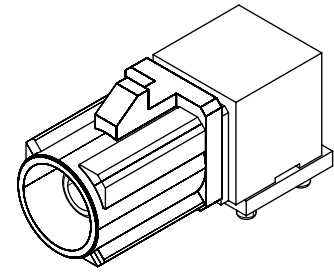
CODE-M



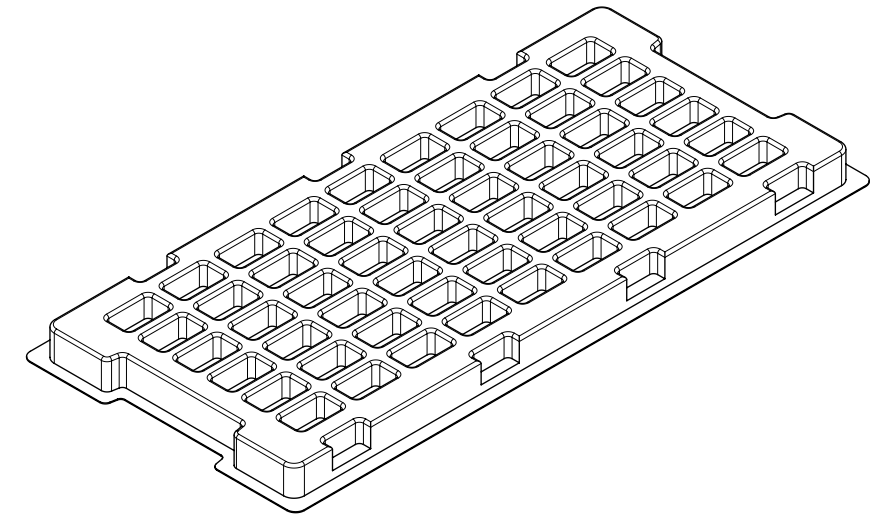
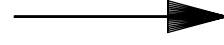
CODE-N

N	PASTEL GREEN	73403-6813
M	PASTEL ORANGE	73403-6812
L	CARMINE RED	73403-6811
Z	WATER BLUE	73403-6810
K	CURRY YELLOW	73403-6809
I	BEIGE	73403-6808
H	VIOLET	73403-6807
G	GRAY	73403-6806
F	BROWN	73403-6805
E	GREEN	73403-6804
D	BORDEAUXVIOLET	73403-6803
C	BLUE	73403-6802
B	NATURAL	73403-6801
A	BLACK	73403-6800
KEYING CODE	COLOR	PART NO.

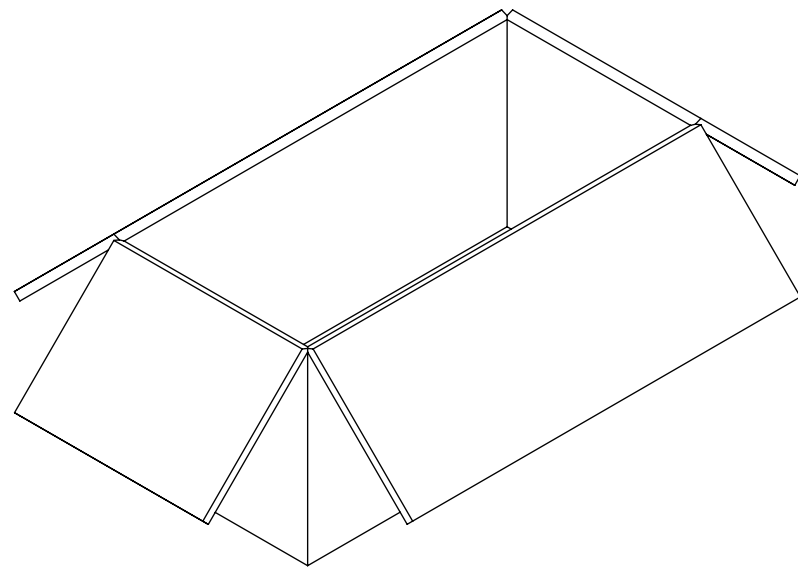
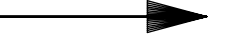
QUALITY SYMBOLS		THIS DRAWING CONTAINS INFORMATION THAT IS PROPRIETARY TO MOLEX ELECTRONIC TECHNOLOGIES, LLC AND SHOULD NOT BE USED WITHOUT WRITTEN PERMISSION	
	= 0	MIGRATED TO ECTRIX EC NO: 122197 DRWN: SCHANNARAYAN CHKD: ELIN REV / APPR: YCHENG	GENERAL TOLERANCES (UNLESS SPECIFIED) ANGULAR TOL ± 2.0 ° 4 PLACES ± 3 PLACES ± 2 PLACES ± 1 PLACE ± 0 PLACES ± DRAFT WHERE APPLICABLE MUST REMAIN WITHIN DIMENSIONS
	= 0		
	= 0		
	= 0		
	= 0		
	= 0		
	= 0		
	= 0		
	= 0		
	= 0		
DIMENSION UNITS		MM/IN	SCALE
SCALE		1:2	
DRWN BY		ELIN	DATE
DATE		2014/07/17	
CHKD BY		JOANNE	DATE
DATE		2014/07/17	
APPR BY		YCHENG	DATE
DATE		2014/11/25	
DRAWING SIZE		C	THIRD ANGLE PROJECTION
DRAWING SIZE		C	
SERIES		73403	MATERIAL NUMBER
MATERIAL NUMBER		SEE TABLE	CUSTOMER
CUSTOMER		GENERAL MARKET	
DOCUMENT NUMBER		SD-73403-680	DOC TYPE
DOC TYPE		PSD	DOC PART
DOC PART		001	SHEET NUMBER
SHEET NUMBER		2 OF 3	



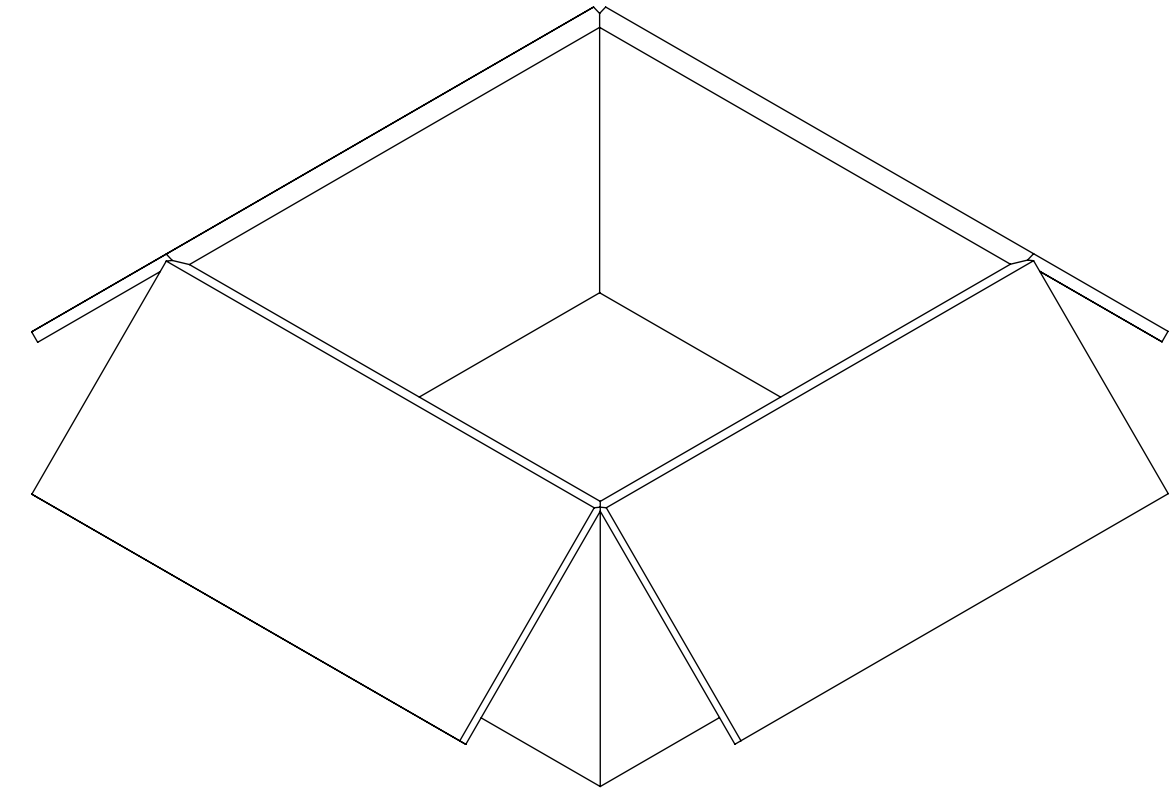
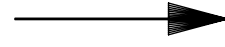
P/N 73403-680X



54 SET PER TRAY
TRAY P/N 89707-0220



540 SET PER INNER
CARTON BOX
P/N 96707-0001



1080 SET PER OUTER
CARTON BOX
P/N 96708-0005

QUALITY SYMBOLS ▽ = 0 ▽ = 0 ▽ = 0 ▼ = 0 ▽ = 0 ☒ = 0 ■ = 0 ▽ = 0	THIS DRAWING CONTAINS INFORMATION THAT IS PROPRIETARY TO MOLEX ELECTRONIC TECHNOLOGIES, LLC AND SHOULD NOT BE USED WITHOUT WRITTEN PERMISSION										
	MIGRATED TO ECTRIX		GENERAL TOLERANCES (UNLESS SPECIFIED)		DIMENSION UNITS		SCALE				
	EC NO: 122197	2017/09/08	ANGULAR TOL ± 2.0 °		MM/IN	1:2					
	DRWN: SCHANNARAYAN	2017/09/20	4 PLACES ±	DRWN BY	ELIN		DATE		SMB FAKRA JACK R/A PCB 50 OHMS FAKRA-J/PCB		
	CHKD: ELIN	2017/09/21	3 PLACES ±	CHKD BY	JOANNE		DATE				
	REV / APPR: YCHENG		2 PLACES ±	APPR BY	YCHENG		DATE		PRODUCT CUSTOMER DRAWING		
			1 PLACE ±	DRAWING SIZE	C		THIRD ANGLE PROJECTION		SERIES	MATERIAL NUMBER	CUSTOMER
			0 PLACES ±	DRAFT WHERE APPLICABLE MUST REMAIN WITHIN DIMENSIONS	73403		SEE TABLE		GENERAL MARKET		
					DOCUMENT NUMBER		SD-73403-680		DOC TYPE	DOC PART	SHEET NUMBER
					A3		PSD		001	3 OF 3	