

SAC-3P-M12MSS/10,0-PUR PE - Power cable



1175908

<https://www.phoenixcontact.com/us/products/1175908>

Please be informed that the data shown in this PDF document is generated from our online catalog. Please find the complete data in the user documentation. Our general terms of use for downloads are valid.



Power cable, 3-position, Plug straight M12, coding: S, on free cable end, cable length: 10 m, For alternating current up to 16 A/250 V

Your advantages

- Easy and safe: 100% electrically tested plug-in components
- Protection against incorrect connection using special S-coding

Commercial data

Item number	1175908
Packing unit	1 pc
Minimum order quantity	1 pc
Note	Made to order (non-returnable)
Sales key	BF05
Product key	BF1CCP
GTIN	4063151206031
Weight per piece (including packing)	713.3 g
Weight per piece (excluding packing)	713 g
Customs tariff number	85444290
Country of origin	PL

SAC-3P-M12MSS/10,0-PUR PE - Power cable



1175908

<https://www.phoenixcontact.com/us/products/1175908>

Technical data

Product properties

Product type	Power cable
Number of positions	3
Application	Power supply
No. of cable outlets	1
Shielded	no
Coding	S

Insulation characteristics

Overvoltage category	III
Degree of pollution	3

Material specifications

Flammability rating according to UL 94	V0
Material of grip body	PP
Contact material	CuZn
Contact surface material	Ni/Au
Contact carrier material	PA
Material for screw connection	Zinc die-cast, nickel-plated

Electrical properties

Contact resistance	$\leq 5 \text{ m}\Omega$
Insulation resistance	$\geq 100 \text{ M}\Omega$
Nominal voltage U_N	250 V AC
	250 V DC
Nominal current I_N	16 A
Protective circuit	unwired

Mechanical properties

Mechanical data

Insertion/withdrawal cycles	> 100
-----------------------------	-------

Connector

Connection 1

Type	Plug straight M12
Coding type	S (Power)

Connection 2

Type	free cable end
------	----------------

Cable/line


Cable length	10 m
--------------	------

SAC-3P-M12MSS/10,0-PUR PE - Power cable

1175908

<https://www.phoenixcontact.com/us/products/1175908>

PUR black [PUR]

Dimensional drawing	
Cable weight	74 kg/km
UL AWM Style	20233 / 10493 (80°C/300 V)
Number of positions	3
Shielded	no
Cable type	PUR black [PUR]
Conductor cross section	3x 1.5 mm ²
Wire diameter incl. insulation	2.25 mm ±0.05 mm
External cable diameter	6.8 mm ±0.2 mm
Outer sheath, material	PUR
External sheath, color	black
Conductor material	Bare Cu litz wires
Material wire insulation	PP
Single wire, color	black 1, black 2, green/yellow
Overall twist	3 wires, twisted
Max. conductor resistance	≤ 14.1 Ω/m (at 20 °C)
Insulation resistance	≥ 1 GΩ*km (at 20 °C)
Nominal voltage, cable	300 V AC
Test voltage	3000 V
Minimum bending radius, fixed installation	5 x D
Minimum bending radius, flexible installation	10 x D
Max. bending cycles	4000000
Halogen-free	in accordance with DIN VDE 0472 part 815 in accordance with DIN EN 50267-2-1
Flame resistance	According to UL 758/1581 (Cable Flame) according to UL 758/1581 FT1 According to DIN EN 60332-1-2
Resistance to oil	according to DIN EN 60811-404, 168 h at 100 °C
Other resistance	Hydrolysis and microbe resistant as per VDE 0282 section 10 Low adhesion abrasion-resistant Resistant to salt water
Ambient temperature (operation)	-40 °C ... 80 °C (cable, fixed installation) -25 °C ... 80 °C (Cable, flexible installation)

SAC-3P-M12MSS/10,0-PUR PE - Power cable



1175908

<https://www.phoenixcontact.com/us/products/1175908>

Environmental and real-life conditions

Ambient conditions

Degree of protection	IP65
	IP67 (without preloading, as additional test in accordance with IEC 60529)
Ambient temperature (operation)	-25 °C ... 85 °C (Plug / socket)

Standards and regulations

Standard designation	M12 connector
Standards/specifications	IEC 61076-2-111

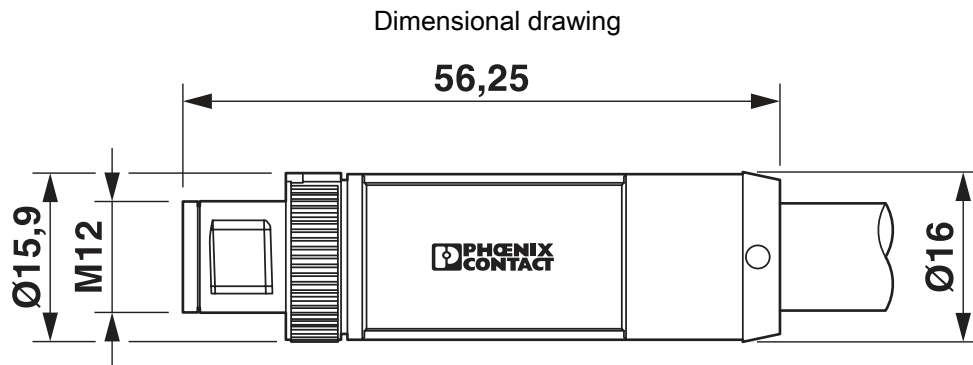
SAC-3P-M12MSS/10,0-PUR PE - Power cable



1175908

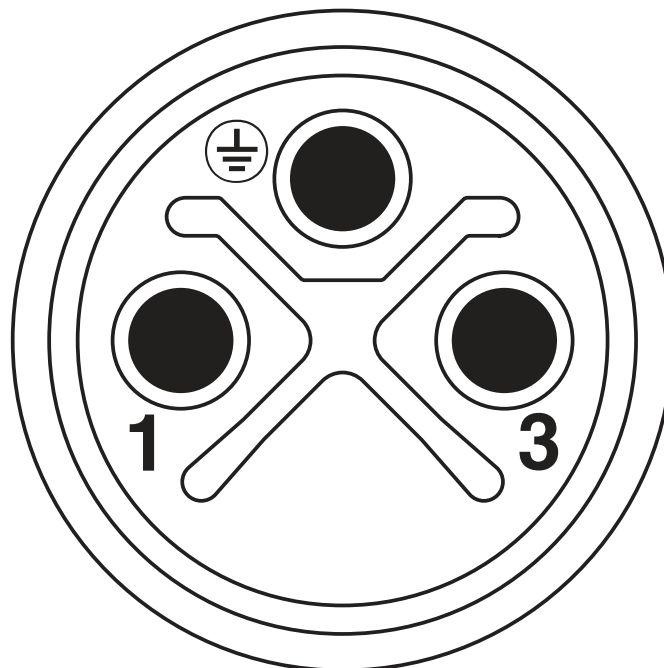
<https://www.phoenixcontact.com/us/products/1175908>

Drawings



Plug, M12 x 1, straight

Schematic diagram



Pin assignment of M12 plug, 3-pos., S-coded, view of pin side

SAC-3P-M12MSS/10,0-PUR PE - Power cable



1175908

<https://www.phoenixcontact.com/us/products/1175908>

Classifications

ECLASS

ECLASS-11.0	27060311
ECLASS-12.0	27060311
ECLASS-13.0	27060311

ETIM

ETIM 8.0	EC001855
----------	----------

UNSPSC

UNSPSC 21.0	26121600
-------------	----------

SAC-3P-M12MSS/10,0-PUR PE - Power cable



1175908

<https://www.phoenixcontact.com/us/products/1175908>

Environmental product compliance

China RoHS	Environmentally friendly use period: unlimited = EFUP-e
	No hazardous substances above threshold values

SAC-3P-M12MSS/10,0-PUR PE - Power cable



1175908

<https://www.phoenixcontact.com/us/products/1175908>

Accessories

PROT-M12 FS - Sealing cap

1560251

<https://www.phoenixcontact.com/us/products/1560251>



M12 sealing cap for unoccupied M12 plugs of the sensor/actuator cable, flush-type plugs and I/O devices in the field

SAC BIT M12-D16 - Tool

1200305

<https://www.phoenixcontact.com/us/products/1200305>



Nut for assembling sensor/actuator cables with M12 connector and M12 connectors for assembly, knurl diameter: 16 mm, for 4 mm hexagonal drive

Phoenix Contact 2023 © - all rights reserved

<https://www.phoenixcontact.com>

Phoenix Contact USA

586 Fulling Mill Road

Middletown, PA 17057, United States

(+717) 944-1300

info@phoenixcon.com