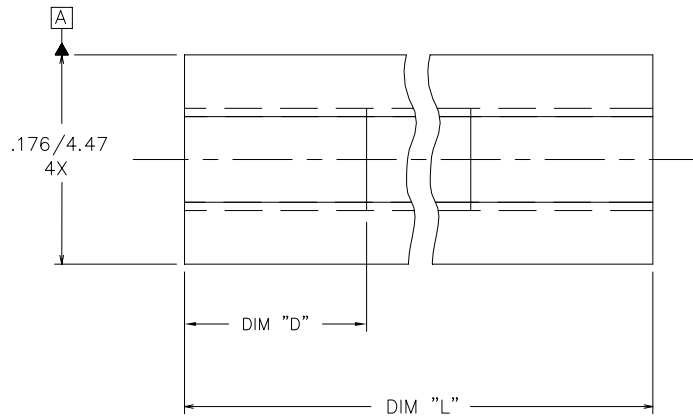
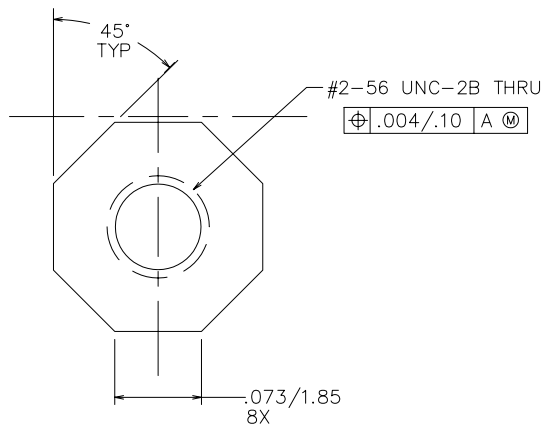


PRODUCT NUMBER	DIM L	DIM D
78059-001	.065/1.65	THRU
78059-001LF		
78059-002	.394/10.00	.157/3.99 (2x)
78059-002LF		



NOTES:

- ① MATERIAL: 416 OR 430 STAINLESS STEEL.
- ② ADD AN LF SUFFIX TO PART NUMBERS FOR PRODUCT THAT MEETS EUROPEAN UNION DIRECTIVES AND OTHER COUNTRY REGULATIONS AS DESCRIBED IN GS-22-008.
3. THIS PRODUCT IS NOT INTENDED TO BE EXPOSED TO MANUFACTURING SOLDER PROCESSES.

mat'l. code		surface ISO 1302 <input checked="" type="checkbox"/>		tolerance ISO 406 ISO 1101		projection 		product family HPC	
ltr		ecn no		date		tolerances unless otherwise specified		title	
A	V12227	SAR	8/27/91	angles	linear	.XX±.01/.3	INCH/MM		OCTAGON NO. 2 MOUNTING NUT
B	V00711	LSS	3/16/00	0'±2'		.xxx±.005/.13	scale 1:1		
C	V05-0964	HTB	10/18/05			.xxxx±.0020/.051			dwg no 78059
D	M06-0285	AGS	7/10/06	dr	L. SANDERS	3/16/00			
sheet index		revision sheet		D				type Product Customer Drawing	
		1							

FCJ  
 FCJconnect.com  
 Copyright FCJ