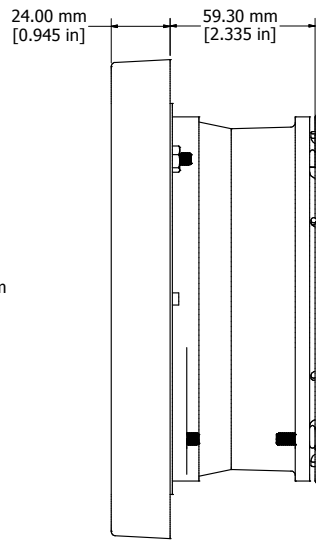
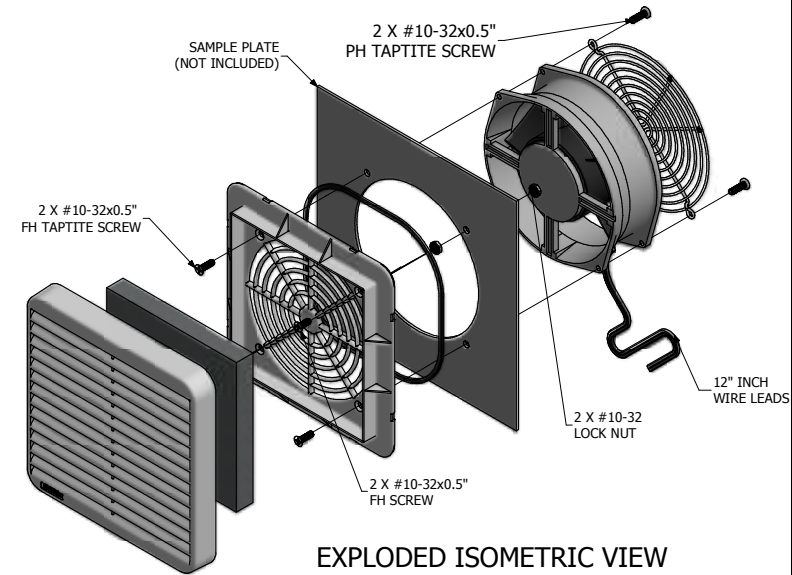


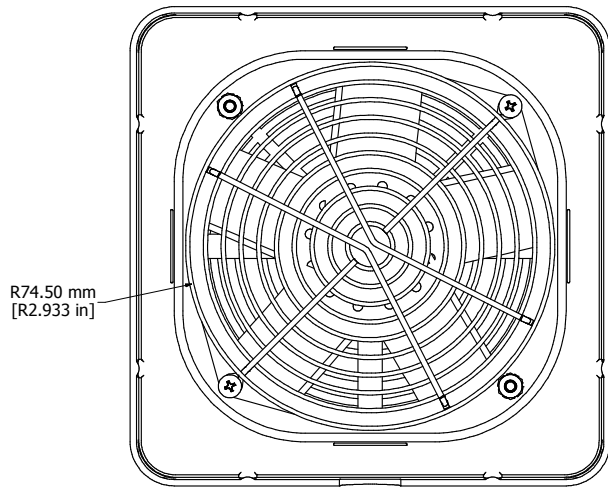
ASSEMBLY - VIEW FROM FRONT



ASSEMBLY - VIEW FROM SIDE



EXPLODED ISOMETRIC VIEW



ASSEMBLY - VIEW FROM REAR

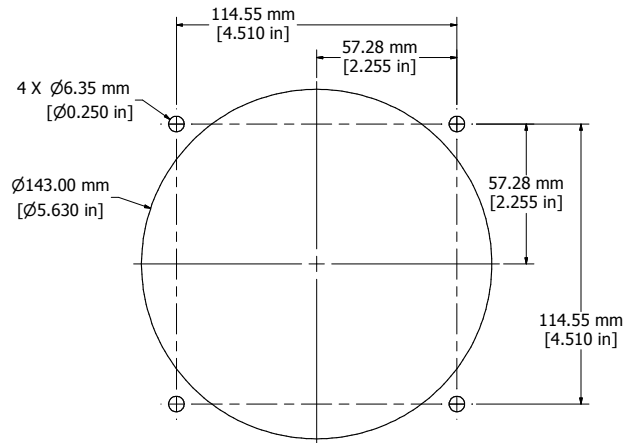


PLATE CUTOUT

<b>DNFF150**230</b>
Finish - Front Screen - ABS Plastic
- Back Panel - ABS Plastic
Rated - 230 VAC, 50/60 Hz, 0.15 Amps
Free Flow Air Delivery - 190/230 CFM
<b>Colours</b>
DNFF150BK230 - Black
DNFF150CG230 - Gray/Beige
DNFF150GY230 - Gray
DNFF150LG230 - Light Gray
<b>Hardware</b>
2 Screws - Panhead Taptite 10-32 x 1/2"
2 Screws - Flathead #10-32 x 1/2"
2 Screws - Flathead Taptite #10-32 x 1/2"
2 Nuts - #10-32 Locktooth
<b>Accessories</b>
PFF4000 - Standard Filter Media (Pkg of 5)
PLFF4000 - Pleated Filter Media (Pkg of 5)

