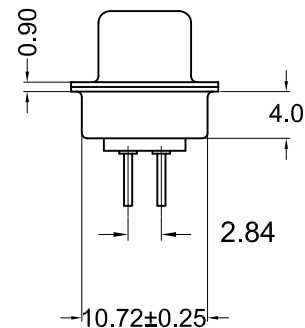


Boardlock not shown
in this view

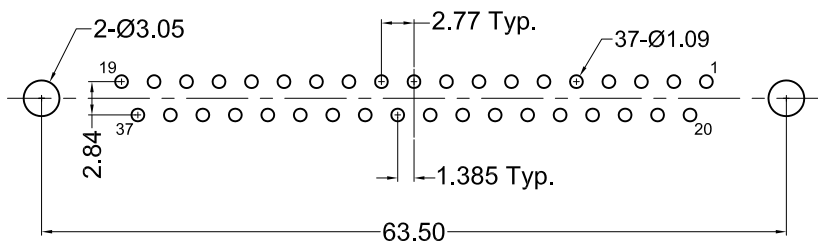


Material and Finish

- Shell: Steel, Nickel plated
- Insulator: PBT thermoplastic with glass-fiber reinforcement, UL94V-0 rated
Color: Black
- Contact Material:
Socket - Brass
- Contact Plating Options:
Standard: gold flash on mating end, tin on termination end, nickel underplate on entire contact
15 Option: 15u" gold on mating end, tin on termination end, nickel underplate on entire contact
30 Option: 30u" gold on mating end, tin on termination end, nickel underplate on entire contact

Electrical Specifications

- Rated Current: 2A
- Rated Voltage: 30V RMS
- Insulation Resistance:
more than 1000 megohms at 500V DC
- Contact Resistance:
13 milliohms max.
- Dielectric Withstanding Voltage:
1000V for 1 minute
- Operating Temperature:
-55°C to +105°C



Recommended PCB Layout
(Top View)

Part Number	Contact Area Plating Finish
K85X-CD-37S-BR	Gold Flash (standard)
K85X-CD-37S-BR15	15u" Gold (15 option)
K85X-CD-37S-BR30	30u" Gold (30 option)



Tolerances
X.X ± 0.25
X.XX ± 0.15
Unless Stated Otherwise

REV.	DATE	DESCRIPTION	REV. BY	CHK. BY	DRAWN BY	DATE
A1	02/07/06	New Drawing	R. Aguirre	H. MA	R. Aguirre	02/07/06
A2	1/09/08	ECO #07-052	WILL H.	H. MA		
A3	08/10/11	ECO #11-053	S. Vien	H. MA		
A4	12/31/17	ECO #17-030	G. Serrato	C. Furumasu		
					UNITS	
					mm	

K85X-CD-37S-BR

Vertical PCB Mount D-Sub, RoHS Compliant

37 Pin Female, Boardlocks

