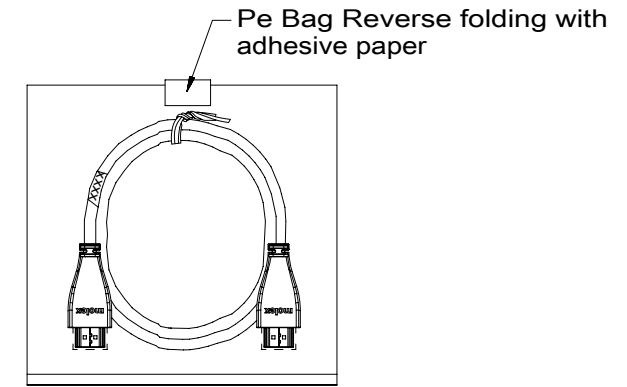
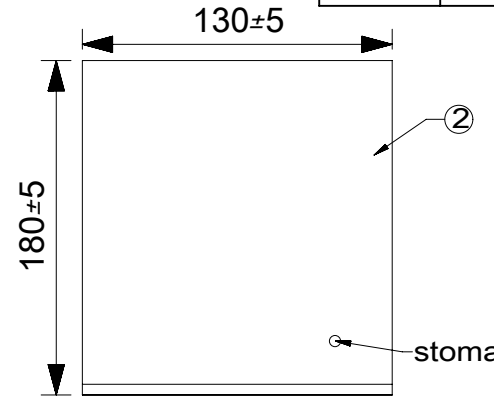
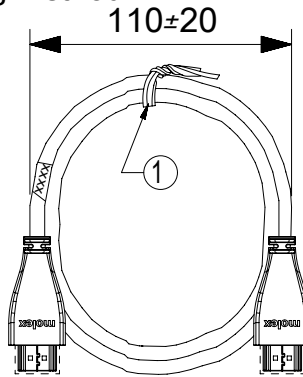


REVISIONS				
EC NO	DATE	REV	DESCRIPTION	CHANGER
	2018/12/20	A	INITIAL RELEASE	DLI50
NA	2019/01/18	A2	ADD PACKING METHOD 6	DLI50
NA	2019/03/05	B	UPDATE PACKAGE METHOD PER ACTUAL PACKAGE	DLI50
NA	2019/05/16	C	CHANGE SPQ FROM 80 TO 100	DLI50
NA	2019/05/23	C1	CHANGE PACKING METHOD	DLI50

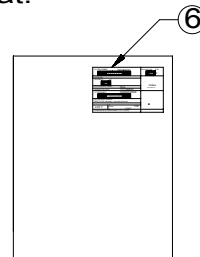
Packing method:



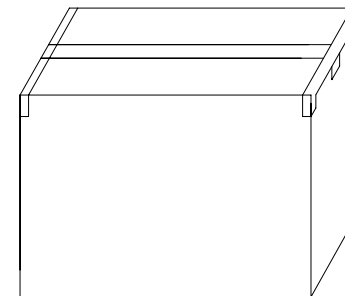
Winding coil: top 3 coils and bottom 2 coils PE BAG: L180*W130*T0.08mm

Packing method:

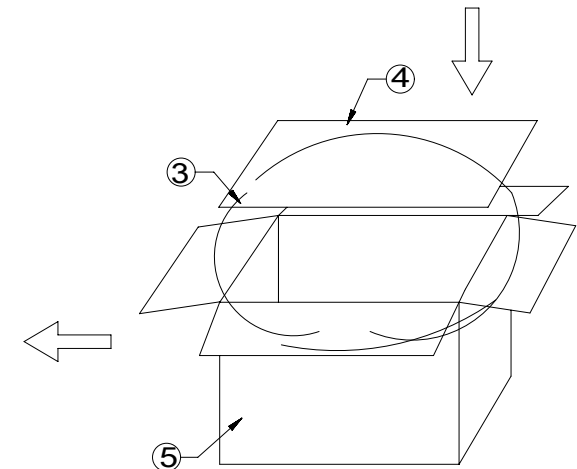
1. Install the tested product with dust cover, as shown above, and wrap it well. Line products are packed in PE bags and sealed by heat.
2. Put a waterproof bag and a partition in the box first, and put the products in order.
3. Seal the box with sealing tape in I-shape.
4. Fill in the front/side of the carton completely. (e.g. quantity, LOT NO., box number, etc.).
5. STICK UL LABEL ON CARTON.




Side



Positive



6	LABEL	LABEL	A/R	SYMBOLS	THIS DRAWING CONTAINS INFORMATION THAT IS PROPRIETARY TO MOLEX ELECTRONIC TECHNOLOGIES, LLC AND SHOULD NOT BE USED WITHOUT WRITTEN PERMISSION													
5	Carton	L385 * W285 * H265mm (K=K) Printed Adhesive Method	A/R	▽ = 0	DIMENSION UNITS	SCALE	CURRENT REV DESC:				 HDMI TO HDMI A 1.4 WITH ETHERNET L=1M							
4	Cardboard	L368*W270*H3mm,B33	A/R	▽ = 0	mm	1:1	GENERAL TOLERANCES (UNLESS SPECIFIED)								DOCUMENT NUMBER			
3	Pe Bag	L915 * W813 * T0.04mm (760mm is the opening side)	A/R	▽ = 0	ANGULAR TOL ± °		EC NO: 617821				DOC TYPE DOC PART REVISION							
2	Pe Bag	L180 * W130 * T0.08mm	1	▽ = 0	4 PLACES ±		DRWN: ZYLI02 2019/05/23				687670199							
1	Tie band	Elliptical PE, black cored bandage	A/R	▽ = 0	3 PLACES ±		CHK'D: ZYLI02 2019/05/23				PDD PK C1							
ITEM	PART NAME	SPEC DESCRIPTION	Q'TY	▽ = 0	2 PLACES ±		APPR: CLAN01 2019/05/23				PACKAGING DESIGN DRAWING							
				▽ = 0	1 PLACE ±		INITIAL REVISION:				DOCUMENT NUMBER							
				▽ = 0	0 PLACES ±		DRWN: DLI50 2018/12/20				687670199							
				▽ = 0	0 PLACES ±		APPR: CLAN01 2018/12/21				PDD PK C1							
				▽ = 0	DRAFT WHERE APPLICABLE MUST REMAIN WITHIN DIMENSIONS		THIRD ANGLE PROJECTION		DRAWING		SERIES		MATERIAL NUMBER		CUSTOMER		SHEET NUMBER	
				▽ = 0			A4-SIZE		68767		687670199				1 OF 1			
				▽ = 0														