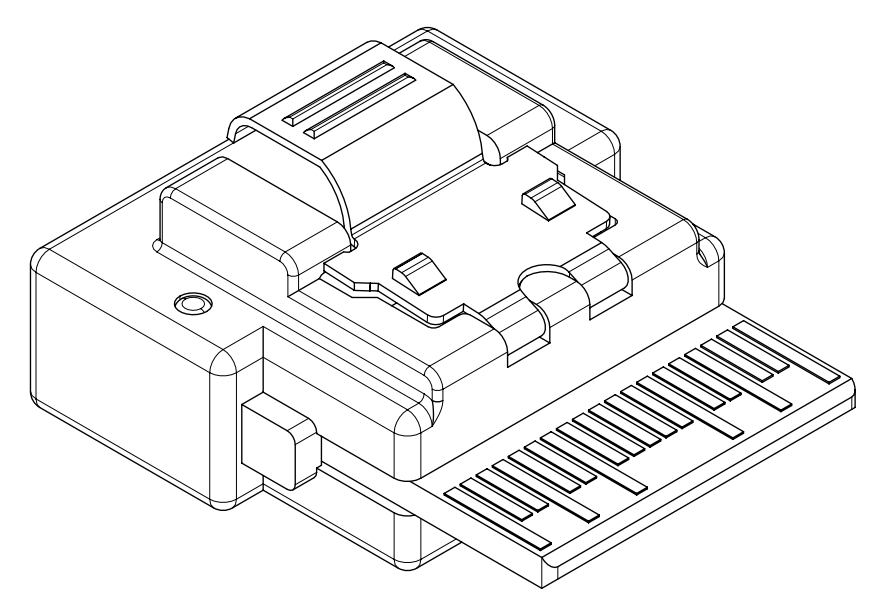


MOLEX P/N	LENGTH	TOLERANCE (mm)	AWG	IMPEDANCE	EE SPEC	LABEL CONTEXT
2073701000	152mm	±10	32	100 OHMS	SAS 4.0	SAS4.0 100 Ohm
2073701001	300mm	±10	32	100 OHMS	SAS 4.0	SAS4.0 100 Ohm
2073701002	1000mm	±15	32	100 OHMS	SAS 4.0	SAS4.0 100 Ohm
2073701003	500mm	±10	32	100 OHMS	SAS 4.0	SAS4.0 100 Ohm
2073701300	152mm	±10	32	100 OHMS	SAS 3.0	SAS3.0 100 Ohm
2073701301	300mm	±10	32	100 OHMS	SAS 3.0	SAS3.0 100 Ohm
2073701302	1000mm	±15	32	100 OHMS	SAS 3.0	SAS3.0 100 Ohm
207370130	500mm	±10	32	100 OHMS	SAS 3.0	SAS3.0 100 Ohm
2073721001	300mm	±10	32	85 OHMS	PCIe 4.0	PCIe4.0 85 Ohm
2073721002	1000mm	±15	32	85 OHMS	PCIe 4.0	PCIe4.0 85 Ohm
2073721003	500mm	±10	32	85 OHMS	PCIe 4.0	PCIe4.0 85 Ohm



NOTES:  
 1. MATERIAL:  
 HOUSING - PC 94V-0 BLACK  
 LATCH - STAINLESS STEEL  
 EXPANDO - PET  
 CABLE - SHIELD: ALUMINIZED POLYESTER FOIL  
 - SIGNAL PAIR : SILVER-COATED COPPER  
 - DRAIN: TIN-COATED COPPER  
 - CONFORMS TO VW1  
 PCB - FR4 (HALOGEN FREE)  
 2. THIS PRODUCT CONFORMS TO THE MECHANICAL DIMENSIONING OF SFF-8654  
 3. RoHS COMPLIANT. NO EXEMPTIONS

FUNCTIONAL SYMBOLS $\nabla_A = 0$ $\nabla_C = 0$ $\nabla_P = 0$ DIVISIONAL SYMBOLS	DIMENSION UNITS <b>mm</b>	SCALE <b>5:1</b>	CURRENT REV DESC:				
	GENERAL TOLERANCES (UNLESS SPECIFIED)		EC NO: 750195 DRWN: AMRUTH 2023/05/19 CHK'D: PRARTP 2023/05/19 APPR: VPENG01 2023/05/19				
	ANGULAR TOL ± 3.0°		INITIAL REVISION: DRWN: LOU01 2018/06/28 APPR: VPENG01 2018/08/13				
	4 PLACES ±		DOCUMENT NUMBER <b>2073701000</b>				
	3 PLACES ± 0.2 2 PLACES ± 0.3 1 PLACE ± 0.4 0 PLACES ±		DOC TYPE DOC PART REVISION <b>PSD 000 E</b>				
DRAFT WHERE APPLICABLE MUST REMAIN WITHIN DIMENSIONS		THIRD ANGLE PROJECTION 	DRAWING <b>D-SIZE</b>	SERIES <b>207370</b>	MATERIAL NUMBER <b>SEE P/N TABLE</b>	CUSTOMER <b>GENERAL MARKET</b>	SHEET NUMBER <b>1 OF 3</b>

**molex**

SLIMSAS 4X STR TO RAD CABLE ASSY.

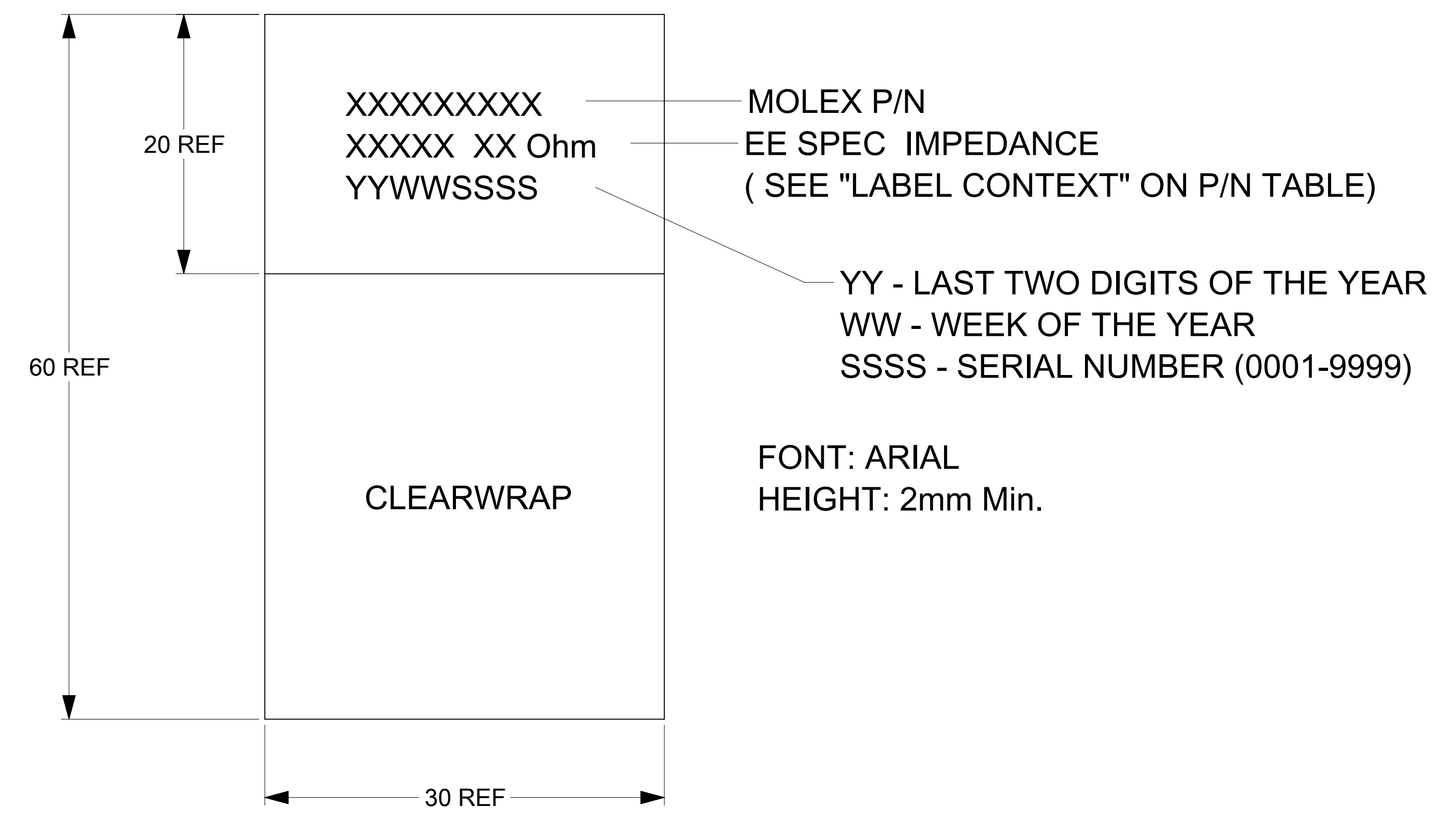
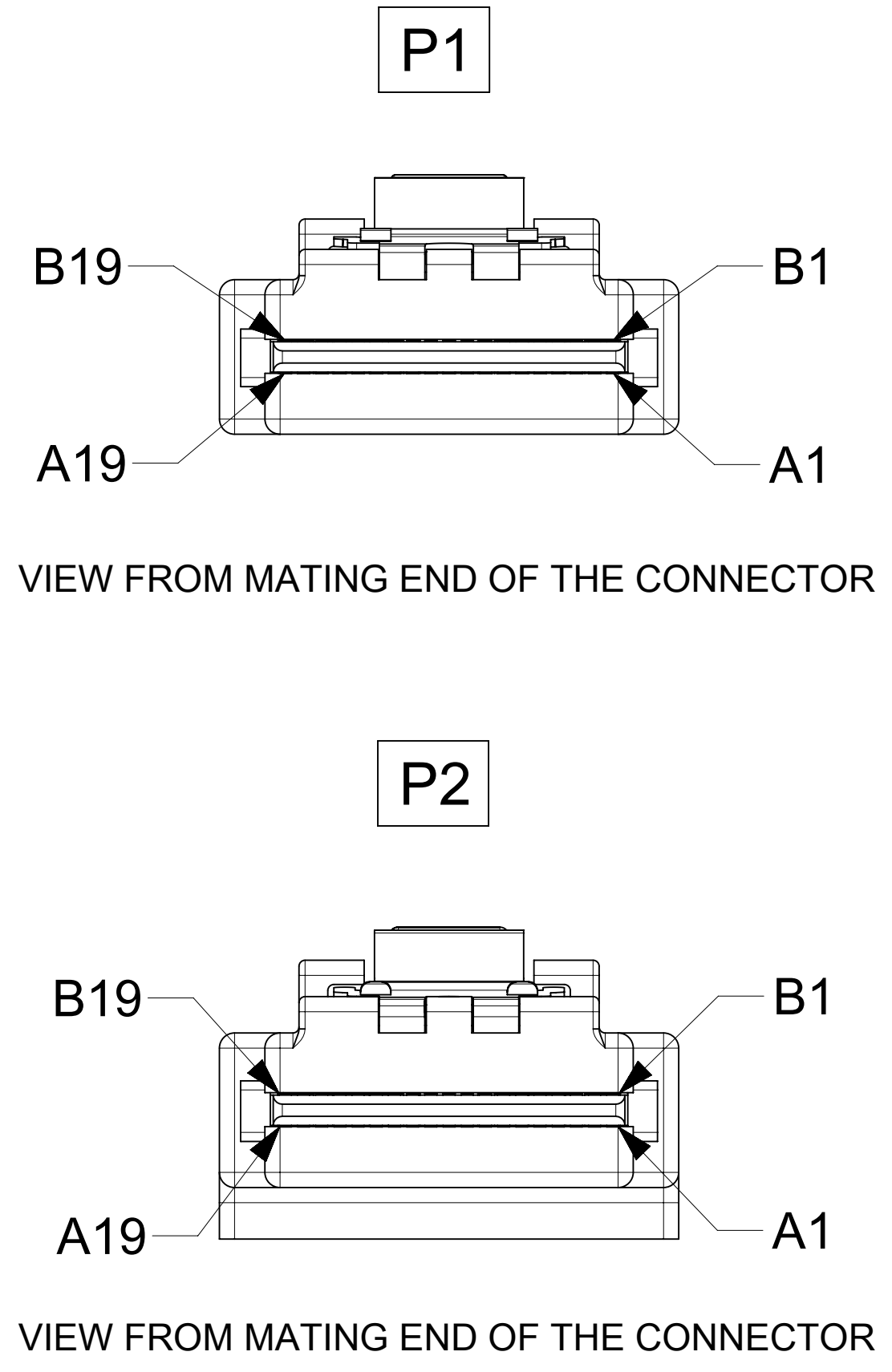
PRODUCT CUSTOMER DRAWING

# PINOUT DIAGRAM

P1		SIGNAL TYPE	P2	
GND	A1	—	B1	GND
RX0+	A2	←	B2	TX0+
RX0-	A3	←	B3	TX0-
GND	A4	—	B4	GND
RX1+	A5	←	B5	TX1+
RX1-	A6	←	B6	TX1-
GND	A7	—	B7	GND
SB	A8	↔	B8	SB
SB	A9	↔	B9	SB
SB	A10	↔	B10	SB
SB	A11	↔	B11	SB
SB	A12	↔	B12	SB
GND	A13	—	B13	GND
RX2+	A14	←	B14	TX2+
RX2-	A15	←	B15	TX2-
GND	A16	—	B16	GND
RX3+	A17	←	B17	TX3+
RX3-	A18	←	B18	TX3-
GND	A19	—	B19	GND
GND	B1	—	A1	GND
TX0+	B2	→	A2	RX0+
TX0-	B3	→	A3	RX0-
GND	B4	—	A4	GND
TX1+	B5	→	A5	RX1+
TX1-	B6	→	A6	RX1-
GND	B7	—	A7	GND
SB	B8	↔	A8	SB
SB	B9	↔	A9	SB
SB	B10	↔	A10	SB
SB	B11	↔	A11	SB
SB	B12	↔	A12	SB
GND	B13	—	A13	GND
TX2+	B14	→	A14	RX2+
TX2-	B15	→	A15	RX2-
GND	B16	—	A16	GND
TX3+	B17	→	A17	RX3+
TX3-	B18	→	A18	RX3-
GND	B19	—	A19	GND

—————> = TRANSMIT TO RECEIVE ON HIGH SPEED CIRCUITS  
 ————— = GND  
 <—————> = SIDEBAND  
 NOTE: ALL SIGNAL GROUND ARE BUSSED IN PCB.

# LABEL DETAIL



FUNCTIONAL SYMBOLS $\nabla_A = 0$ $\nabla_C = 0$ $\nabla_P = 0$	DIMENSION UNITS: mm SCALE: 1:1	CURRENT REV DESC:					
	GENERAL TOLERANCES (UNLESS SPECIFIED)		EC NO: 750195 DRWN: AMRUTH 2023/05/19				
	ANGULAR TOL ± 3.0°		CHK'D: PRARTP 2023/05/19 APPR: VPENG01 2023/05/19				
	4 PLACES ± 3 PLACES ± 0.2 2 PLACES ± 0.3 1 PLACE ± 0.4 0 PLACES ±		INITIAL REVISION: DRWN: LOU01 2018/06/28 APPR: VPENG01 2018/08/13				
DRAFT WHERE APPLICABLE MUST REMAIN WITHIN DIMENSIONS		THIRD ANGLE PROJECTION	DRAWING: D-SIZE	SERIES: 207370	MATERIAL NUMBER: SEE P/N TABLE	CUSTOMER: GENERAL MARKET	SHEET NUMBER: 2 OF 3

DOCUMENT STATUS	P1	RELEASE DATE	2023/05/19 16:15:28
-----------------	----	--------------	---------------------

REVISION TABLE			
DATE	REV	DESCRIPTION	ENGINEER
2020/07/17	C	ADDED THE 500MM LENGTH P/N TO THE P/N TABLE	SACHIN M K
2021/03/31	D	SHEET 1: UPDATED THE SLIMSAS 4X STR MODEL TO THE LATEST VERSION	SACHIN M K
2023/05/19	E	SHEET 02: UPDATED LABEL NOTE TO "SSSS - SERIAL NUMBER (0001-9999)"	AMRUTH

<b>FUNCTIONAL SYMBOLS</b> FA = 0 FC = 0 FP = 0 <b>DIVISIONAL SYMBOLS</b>	THIS DRAWING CONTAINS INFORMATION THAT IS PROPRIETARY TO MOLEX ELECTRONIC TECHNOLOGIES, LLC AND SHOULD NOT BE USED WITHOUT WRITTEN PERMISSION		CURRENT REV DESC:		 SLIMSAS 4X STR TO RAD CABLE ASSY. <b>PRODUCT CUSTOMER DRAWING</b>		
	DIMENSION UNITS	SCALE	EC NO: 750195				
	mm	1:1	DRWN: AMRUTH 2023/05/19				
	GENERAL TOLERANCES (UNLESS SPECIFIED)		CHK'D: PRARTP 2023/05/19				
	ANGULAR TOL ± 3.0°		APPR: VPENG01 2023/05/19				
	4 PLACES ±		INITIAL REVISION:				
3 PLACES ± 0.2		DRWN: LOU01 2018/06/28		DOCUMENT NUMBER	DOC TYPE	DOC PART	REVISION
2 PLACES ± 0.3		APPR: VPENG01 2018/08/13		2073701000	PSD	000	E
1 PLACE ± 0.4		DRAFT WHERE APPLICABLE MUST REMAIN WITHIN DIMENSIONS		MATERIAL NUMBER		CUSTOMER	
0 PLACES ±		THIRD ANGLE PROJECTION		SERIES		SHEET NUMBER	
DRAFT WHERE APPLICABLE MUST REMAIN WITHIN DIMENSIONS		 D-SIZE		207370		3 OF 3	
DRAFT WHERE APPLICABLE MUST REMAIN WITHIN DIMENSIONS		 D-SIZE		SEE P/N TABLE		GENERAL MARKET	

DOCUMENT STATUS	P1	RELEASE DATE	2023/05/19	16:15:28
-----------------	----	--------------	------------	----------