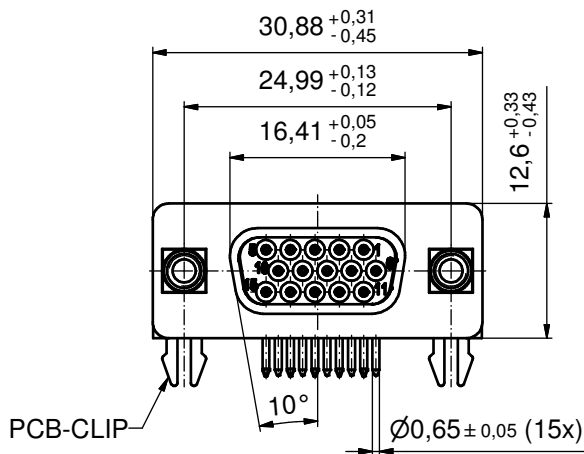
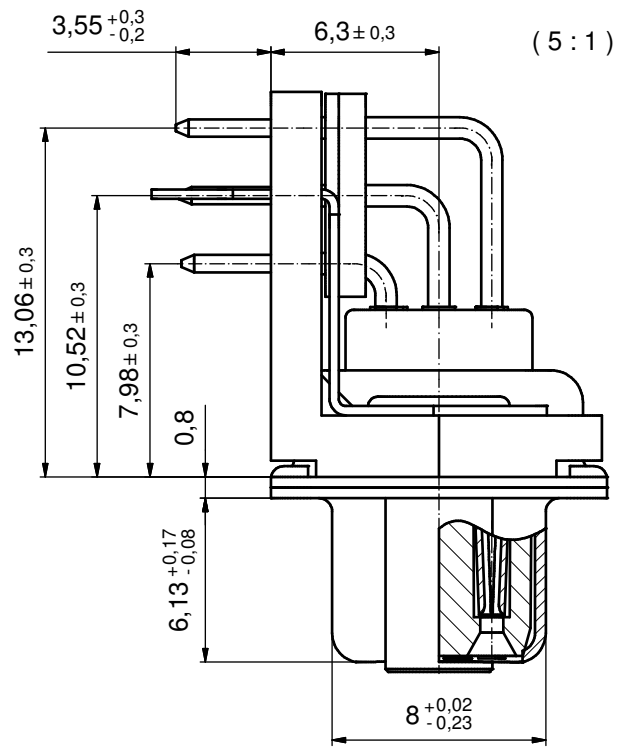
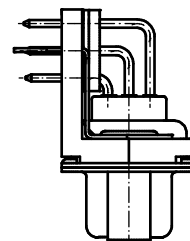
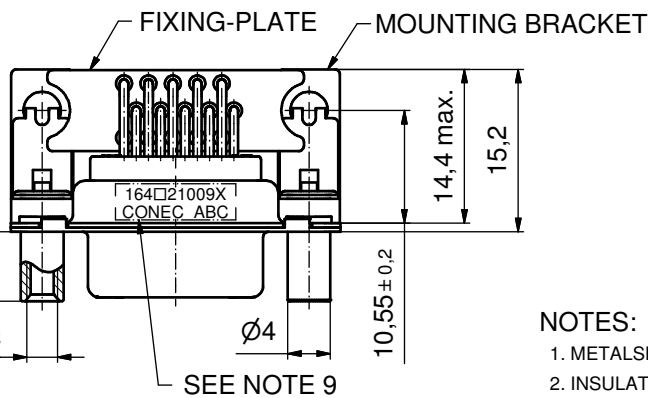


P.C.B. HOLE DRILLINGS  
(P.C.B. TOP SIDE)

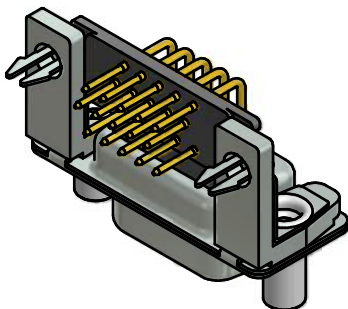


PCB-CLIP



NOTES: (b)

- METALSHELLS: STEEL; min. 315µin TIN over 40-80µin NICKEL
- INSULATORS: PBT GF UL 94 V-0, BLACK
- CONTACTS: COPPER ALLOY; PLATING (SEE PART NO.):
  - PLEASE ADD A for GOLD FLASH over NICKEL (PREFERRED TYPE)
  - PLEASE ADD B for 20µin HARD GOLD over min. 50µin NICKEL
  - PLEASE ADD C for 30µin HARD GOLD over min. 50µin NICKEL
  - PLEASE ADD J for 50µin HARD GOLD over min. 50µin NICKEL
- MOUNTING BRACKETS: PBT GF UL 94 V-0; BLACK
- THREADED LOCKS: COPPER ALLOY; min. 200µin TIN over 80µin NICKEL
- GROUNDING CLIPS: COPPER ALLOY; min. 200µin TIN over 80µin NICKEL  
PCB-HOLE:  $\varnothing 3,1 \pm 0,1$ mm; PCB-THICKNESS: 1,6mm
- FIXING PLATE: PBT GF UL 94 V-0; BLACK
- MAXIMUM TORQUE VALUE FOR THREAD: 6 in.LB
- CONNECTOR IS PART MARKED: 164□21009X CONEC ABC (see note 3)



RoHS compliant

THIS DRAWING MAY NOT BE COPIED OR REPRODUCED IN ANY WAY, AND MAY NOT BE PASSED ON TO A THIRD PARTY WITHOUT WRITTEN PERMISSION. OWNERSHIP AND COPYRIGHT OF CONEC GmbH				tolerance		dim. in mm	scale: 2:1 (5:1)	
				date			material: SEE NOTES	
DO NOT ALTER CAD DRAWING BY HAND				drawn	08.01.15	Henneboel		title: D-SUB HD FEMALE 90° 15pos. SOLDER PIN ANGLED 0.350inch thread lock, mounting bracket and grounding clip
				appd.	08.01.15	Lehmenkühler		
norm				d-old		16K2A2066		
4 x b	Ä5482	08.01.2015	K.H.	CONEC®		dwg no:		
a	Original					(b) 16K1A3571		DIN-A3
rev.	description	date	name			part no: (b) 164□21009X (see note 3)		sh: 1