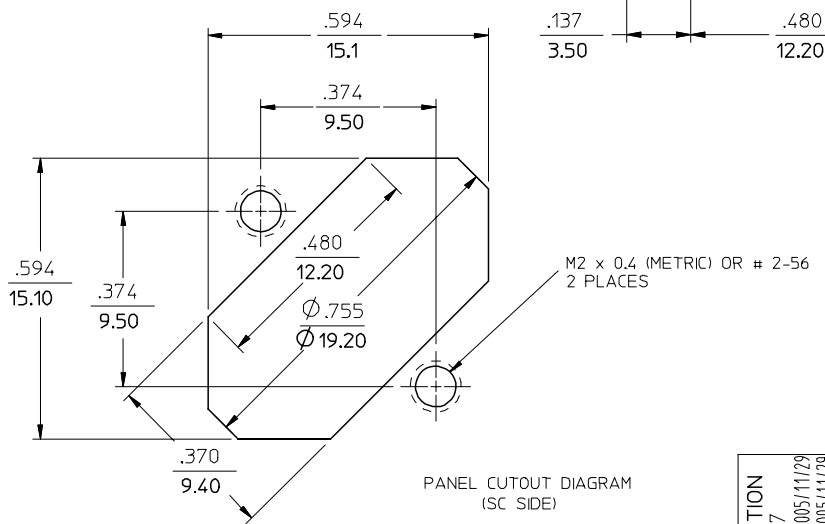
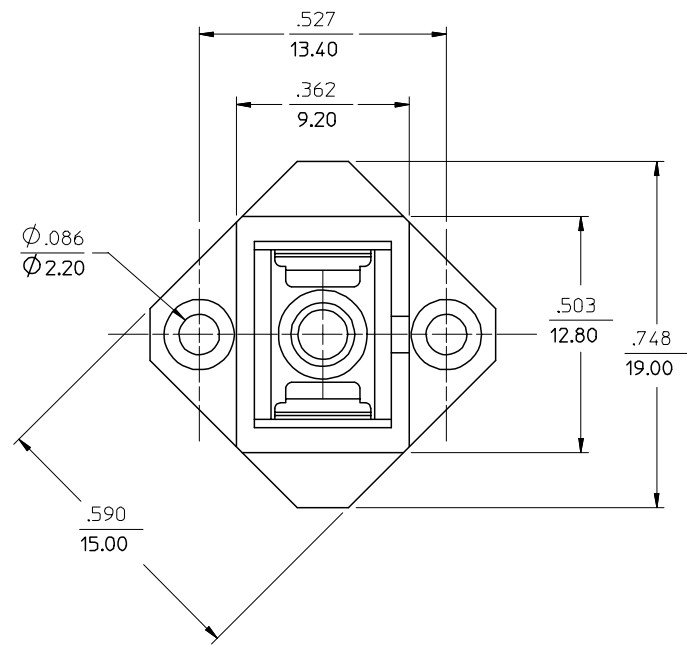
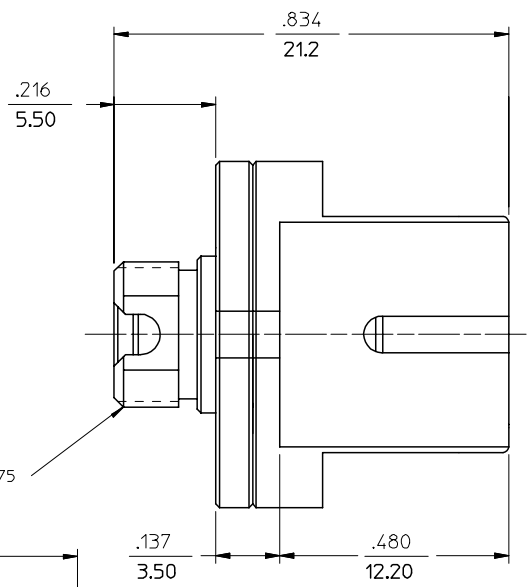


MOLEX P/N	MATERIAL OF SLEEVE
106160-0970	PHOSPHOR BRONZE
106161-0970	ZIRCONIA



PANEL CUTOUT DIAGRAM (SC SIDE)

M2 x 0.4 (METRIC) OR # 2-56
2 PLACES

ENTER DESCRIPTION EC NO: MF2006-0237 DRWN:PGIBLIN 2005/11/29 CHKD: 2005/11/29 APPR: IGUMIN 2005/11/29 A	QUALITY SYMBOLS ▽=0 ▽=0	GENERAL TOLERANCES (UNLESS SPECIFIED)		DIMENSION STYLE	SCALE	DESIGN UNITS	THIRD ANGLE PROJECTION	
				IN/MM	4:1	INCH		
		4 PLACES	± ---	± ---	DRAWN BY	DATE	TITLE	
		3 PLACES	± ---	± ---	RPACIFICI	2005/10/13	FC/SC METAL ADAPTER SQUARE FLANGE	
2 PLACES	± ---	± ---	CHECKED BY		DATE			
1 PLACE	± ---	± ---	APPROVED BY		DATE	MOLEX INCORPORATED		
ANGULAR ±1/2°		DRAFT WHERE APPLICABLE MUST REMAIN WITHIN DIMENSIONS		MATERIAL NO.	DOCUMENT NO.	SHEET NO.		
				SEE TABLE	SD-10616X-XXX0	1 OF 01		
				SIZE B	THIS DRAWING CONTAINS INFORMATION THAT IS PROPRIETARY TO MOLEX INCORPORATED AND SHOULD NOT BE USED WITHOUT WRITTEN PERMISSION			