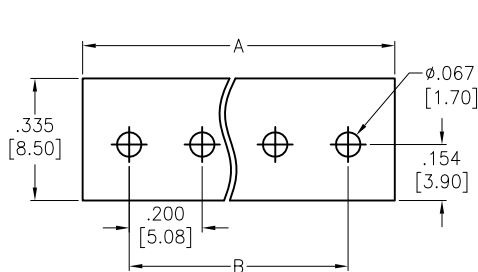
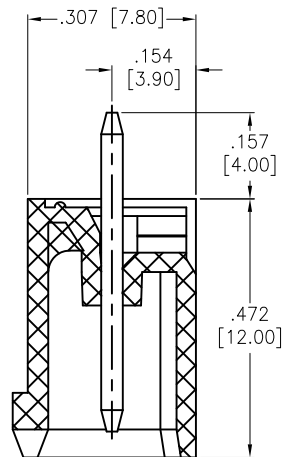
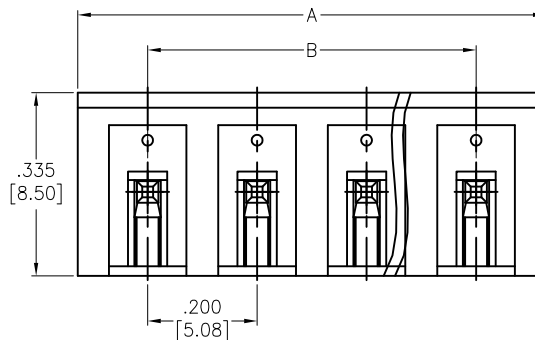


APPROVED: _____
 DATE: _____ TITLE: _____

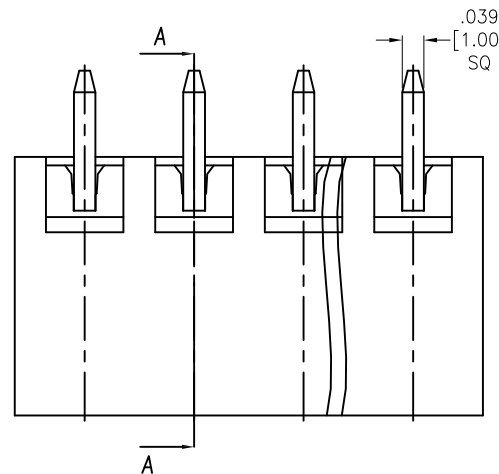
Rev	AWO #	Description	Date	Appr
-		RELEASED	08/01/13	
A		UPDATED SPEC.	7/20/15	HR/AY
B		UPDATE DRAWING	9/13/18	AY/DH



RECOMMENDED PCB LAYOUT



SECTION A-A



SPECIFICATIONS:

Material:
 Insulator: PA66, rated UL 94V-0
 Insulator color: Green
 Contact: Brass, Tin plated.
 Electrical:
 Voltage rated: 300 VAC
 Current rated: 15 Amp
 Contact resistance: 20 mohms max
 Insulation resistance: 500 Mohms min @ 500 VDC
 Dielectric withstanding voltage: 2,000 VAC for 1 minute
 Temperature Rating:
 -40°C to +105°C
 Environmental:
 Lead free, RoHS compliant.



Positions: 02 thru 24

A = .200 [5.08] x No. of Positions + .055 [1.40]

B = .200 [5.08] x No. of Spaces

UNLESS OTHERWISE SPECIFIED
 ALL DIMENSIONS ARE MM [INCHES]
 TOLERANCES: EXCEPT AS NOTED

INCHES		HOLES	
.X	± .10	Ø.X	± .10
.XX	± .020	Ø.XX	± .015
.XXX	± .015	Ø.XXX	± .010

APPROVALS		DATE
DRAWN	AY	10/17/13
CHECKED	NP	10/17/13
APPROVED		

ADAM TECH INTERCONNECTS
 909 Rahway Avenue,
 Union, NJ 07083
 Phone: 908-687-5000
 Fax: 908-687-5710

TITLE
**TERMINAL BLOCK, SOCKETS .200 [5.08] PITCH
 VERTICAL, CLOSE TYPE**

SIZE	PART NO.	REV.
X	EBPA-XX-D-C	B
REF: S00067C	SCALE: NTS	SHEET 1 OF 1