

MATERIALS AND FINISHES

BODY: BRASS
 PLATED TRI-M3

CONTACT: PHOSPHOR COPPER
 PLATED SILVER

COUPLING NUT: BRASS
 PLATED TRI-M3

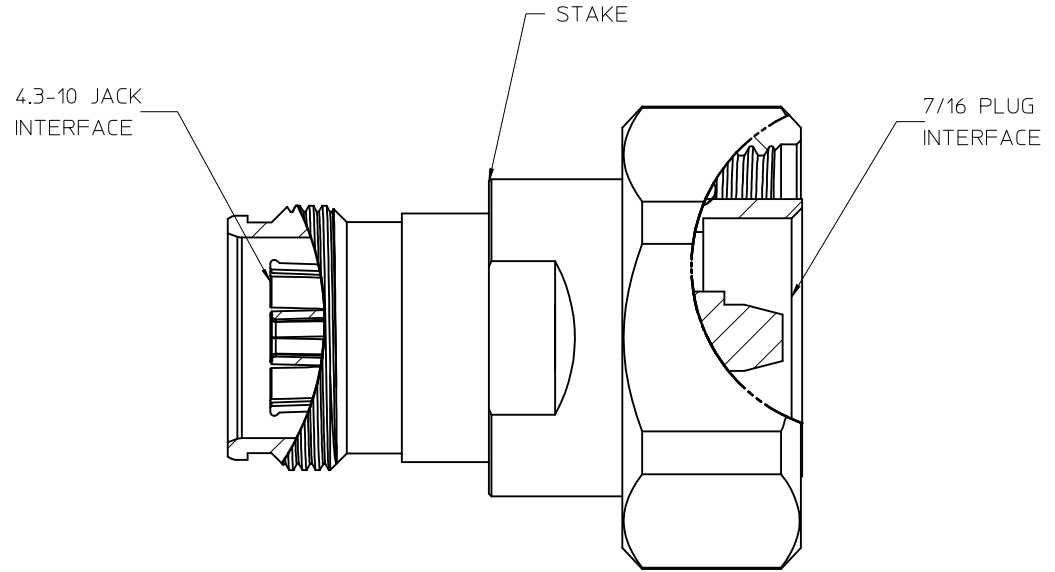
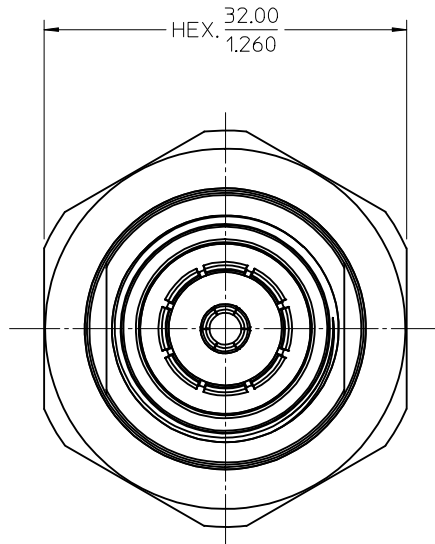
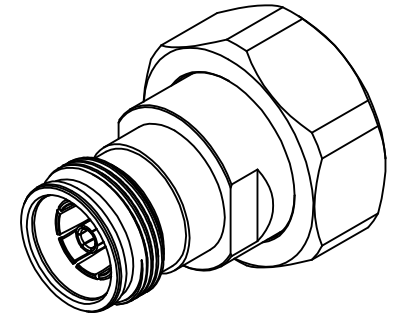
INSULATOR: TEFLON

O-RING: SILICON RUBBER

PERFORMANCE REQUIREMENTS:

FREQUENCY RANGE: DC-3000MHz
 TEMPERATURE RANGE: -40--+85°C
 IMPEDANCE: 50 OHM
 WITHSTAND VOLTAGE(AC): 2500V @0.5mA
 VSWR: ≤1.08(0-3000MHz)
 PIM3(2X20W): <-163dBC @ALL

NOTE: ADAPTORS SHIPPED WITH
 POLYETHYLENE DUST CAP



IEC61169-54	INTERFACE (4.3-10 PORT)
IEC60169-4	INTERFACE (7/16 PORT)
SPECIFICATION	DESCRIPTION

73386-7521	ONE PIECE PER CARTON
73386-7520	BLANK
PART NO.	PACKAGING

CHG: NEW RELEASE EC NO: URF2016-0628 DRWN: JWU83 CHKD: YHUANG11 APPR: MYE08	DESCRIPTION 2016/01/15 2016/03/14 2017/03/21	QUALITY SYMBOLS	GENERAL TOLERANCES (UNLESS SPECIFIED)	DIMENSION STYLE	SCALE	DESIGN UNITS	THIRD ANGLE PROJECTION	
		∇=0 ∇=0 ∇=0	mm INCH 4 PLACES ± --- ± --- 3 PLACES ± --- ± --- 2 PLACES ± --- ± --- 1 PLACE ± --- ± --- 0 PLACE ± --- ± ---	MM/IN	METRIC	DRAWN BY: JWU83 DATE: 2016/01/15 CHECKED BY: YHUANG11 DATE: 2016/03/14 APPROVED BY: MYE08 DATE: 2017/03/21	TITLE	ADAPTER 7/16 PLUG TO 4.3/10 JACK
		ANGULAR ± 2°	DRAFT WHERE APPLICABLE MUST REMAIN WITHIN DIMENSIONS	SEE TABLE	DOCUMENT NO.	MATERIAL NO. SD-73386-752	SHEET NO.	1 OF 1
		THIS DRAWING CONTAINS INFORMATION THAT IS PROPRIETARY TO MOLEX INCORPORATED AND SHOULD NOT BE USED WITHOUT WRITTEN PERMISSION						