

Description: 698-960MHz Ceiling Mount antenna

Series: P-Thinity

PART NUMBER: PSDASLPNF

Features:

- Frequency 698-960MHz
- Gain 2dBi
- Size $\Phi 179 \times 10 \text{mm}$ (7.047x0.394")
- Connector N-female
- Direct mounting with nut

Applications:

- In building
- Public Safety DAS system
- Ceiling mounting



All dimensions are in mm / inches

Issue: 1923

In the effort to improve our products, we reserve the right to make changes judged to be necessary.

CONFIDENTIAL AND PROPRIETARY INFORMATION

This document contains confidential and proprietary information of Pulse Electronics, Inc. (Pulse) and is protected by copyright, trade secret and other state and federal laws. Its receipt or possession does not convey any rights to reproduce, disclose its contents, or to manufacture, use or sell anything it may describe. Reproduction, disclosure or use without specific written authorization of Pulse is strictly forbidden.

For more information:

Pulse Worldwide Headquarters
15255 Innovation Drive #100
San Diego, CA 92128
USA
Tel: 1-858-674-8100

Pulse/Larsen Antennas
18110 SE 34th St Bldg 2 Suite 250
Vancouver, WA 98683
USA
Tel: 1-360-944-7551

Europe Headquarters
Pulse GmbH & Do, KG
Zeppelinstrasse 15
Herrenberg, Germany
Tel: 49 7032 7806 0

Pulse (Suzhou) Wireless Products Co, Inc.
99 Huo Ju Road(#29 Bldg,4th Phase
Suzhou New District
Jiangsu Province, Suzhou 215009 PR China
Tel: 86 512 6807 9998



Description: 698-960MHz Ceiling Mount antenna

Series: P-Thinity

PART NUMBER: PSDASLPNF

ELECTRICAL SPECIFICATIONS

Frequency	698-960MHz
Nominal Impedance	50 Ω
VSWR	<1.5
Radiation Pattern	Omni
Gain(Average peak)	2.3dBi
Polarization	Horizontal
Power Withstanding	50W

MECHANICAL SPECIFICATIONS

Antenna Size	Φ 179x10mm(7.047x0.394")
Weight	220 \pm 10g
Antenna Color / Material	White/ABS
Connector type	N Female
Cable type	RG141, UL94-V0
Cable length	300mm(11.811")

ENVIRONMENTAL SPECIFICATIONS

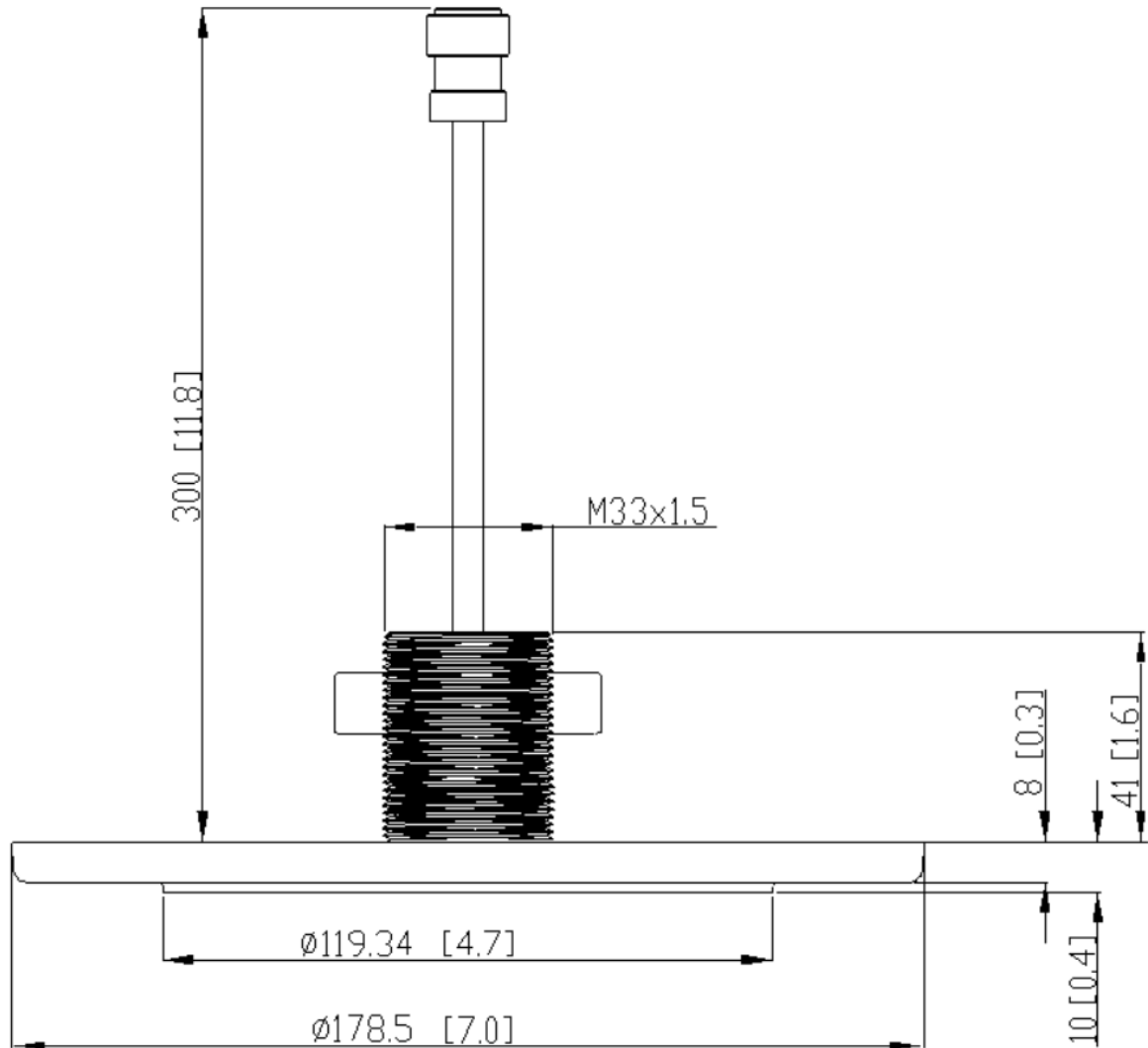
Operating Temperature	-40 ~ +85° C
Storage Temperature	-40 ~ +85° C
Ingress Protection	IP30
RoHS Compliant	Yes

Description: 698-960MHz Ceiling Mount antenna

Series: P-Thinity

PART NUMBER: PSDASLPNF

MECHANICAL DRAWING



Unit: MM(IN)

Issue: 1923

In the effort to improve our products, we reserve the right to make changes judged to be necessary.

CONFIDENTIAL AND PROPRIETARY INFORMATION

This document contains confidential and proprietary information of Pulse Electronics, Inc. (Pulse) and is protected by copyright, trade secret and other state and federal laws. Its receipt or possession does not convey any rights to reproduce, disclose its contents, or to manufacture, use or sell anything it may describe. Reproduction, disclosure or use without specific written authorization of Pulse is strictly forbidden.

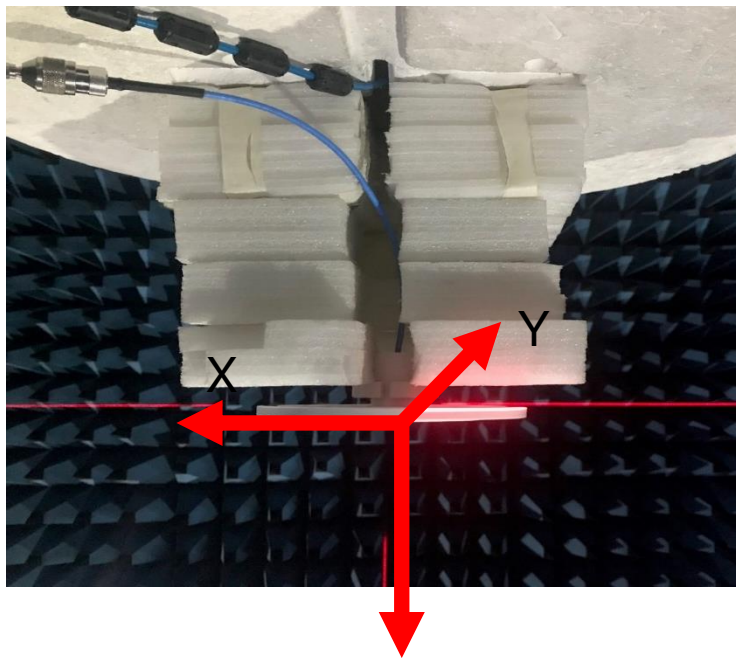
Description: 698-960MHz Ceiling Mount antenna

Series: P-Thinity

PART NUMBER: PSDASLPNF

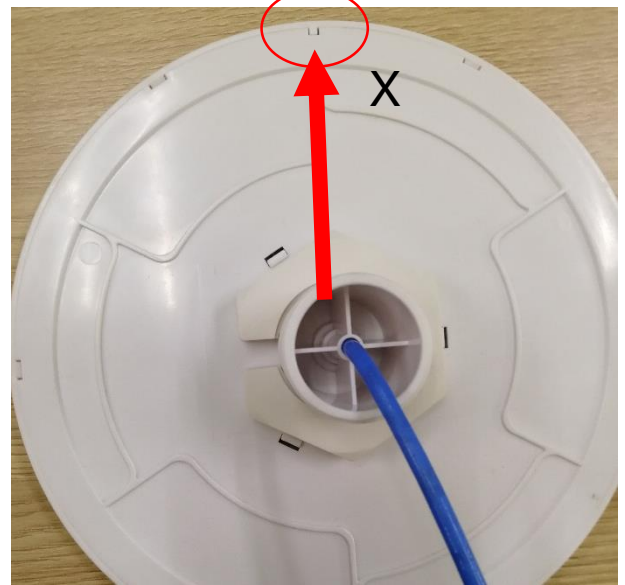
CHARTS

Test Setup



Z, towards floor

0 degree marker



Z-axial is theta 0 degree.

Issue: 1923

In the effort to improve our products, we reserve the right to make changes judged to be necessary.

CONFIDENTIAL AND PROPRIETARY INFORMATION

This document contains confidential and proprietary information of Pulse Electronics, Inc. (Pulse) and is protected by copyright, trade secret and other state and federal laws. Its receipt or possession does not convey any rights to reproduce, disclose its contents, or to manufacture, use or sell anything it may describe. Reproduction, disclosure or use without specific written authorization of Pulse is strictly forbidden.

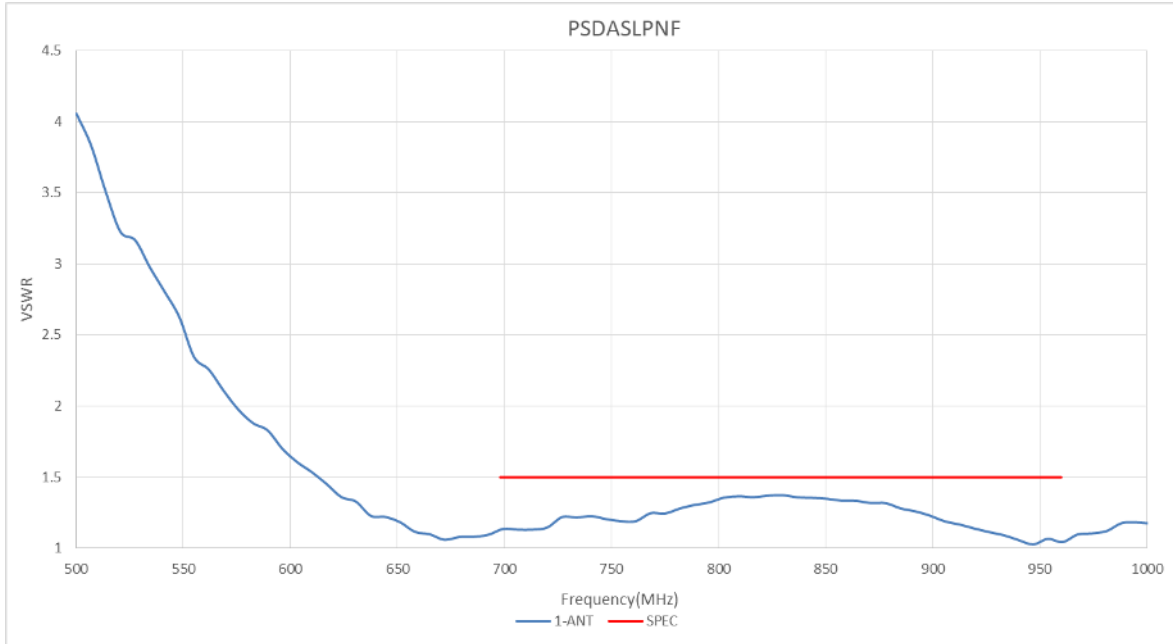
Description: 698-960MHz Ceiling Mount antenna

Series: P-Thinity

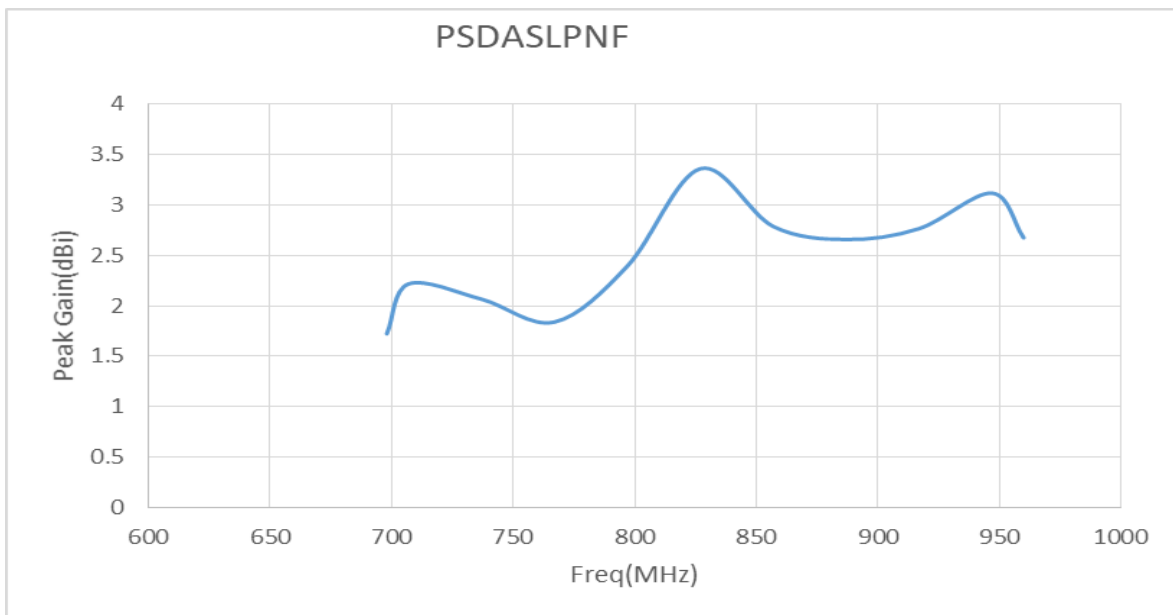
PART NUMBER: PSDASLPNF

CHARTS

VSWR in free space



Peak Gain in free space



Issue: 1923

In the effort to improve our products, we reserve the right to make changes judged to be necessary.

CONFIDENTIAL AND PROPRIETARY INFORMATION

This document contains confidential and proprietary information of Pulse Electronics, Inc. (Pulse) and is protected by copyright, trade secret and other state and federal laws. Its receipt or possession does not convey any rights to reproduce, disclose its contents, or to manufacture, use or sell anything it may describe. Reproduction, disclosure or use without specific written authorization of Pulse is strictly forbidden.

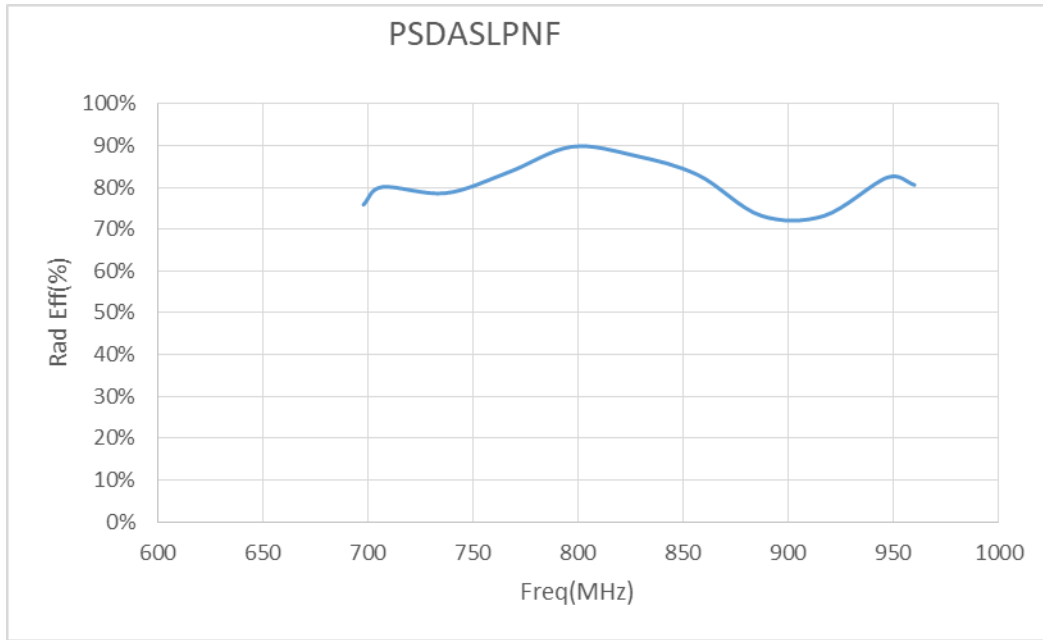
Description: 698-960MHz Ceiling Mount antenna

Series: P-Thinity

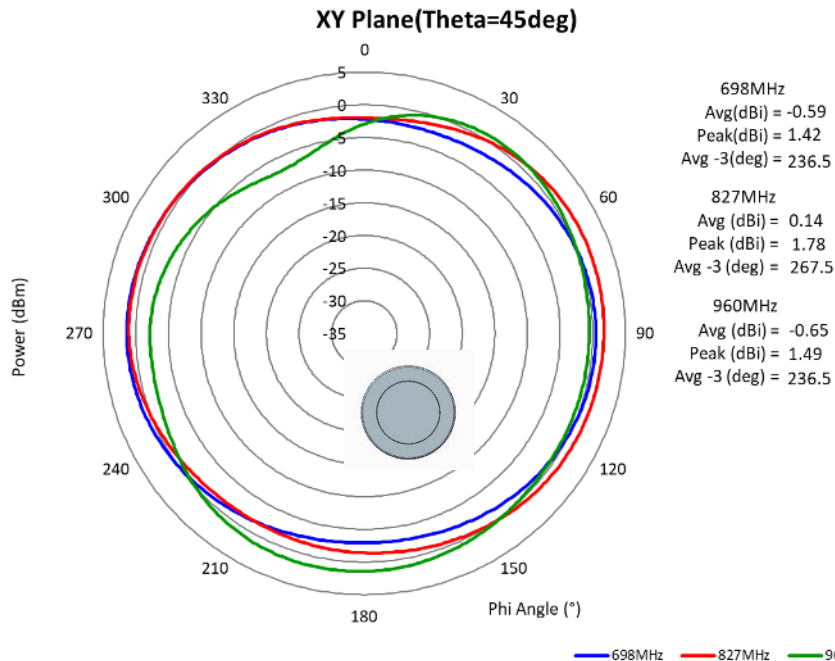
PART NUMBER: PSDASLPNF

CHARTS

Radiation Efficiency in free space



Radiation pattern of theta is 45deg plane at low band



Issue: 1923

In the effort to improve our products, we reserve the right to make changes judged to be necessary.

CONFIDENTIAL AND PROPRIETARY INFORMATION

This document contains confidential and proprietary information of Pulse Electronics, Inc. (Pulse) and is protected by copyright, trade secret and other state and federal laws. Its receipt or possession does not convey any rights to reproduce, disclose its contents, or to manufacture, use or sell anything it may describe. Reproduction, disclosure or use without specific written authorization of Pulse is strictly forbidden.

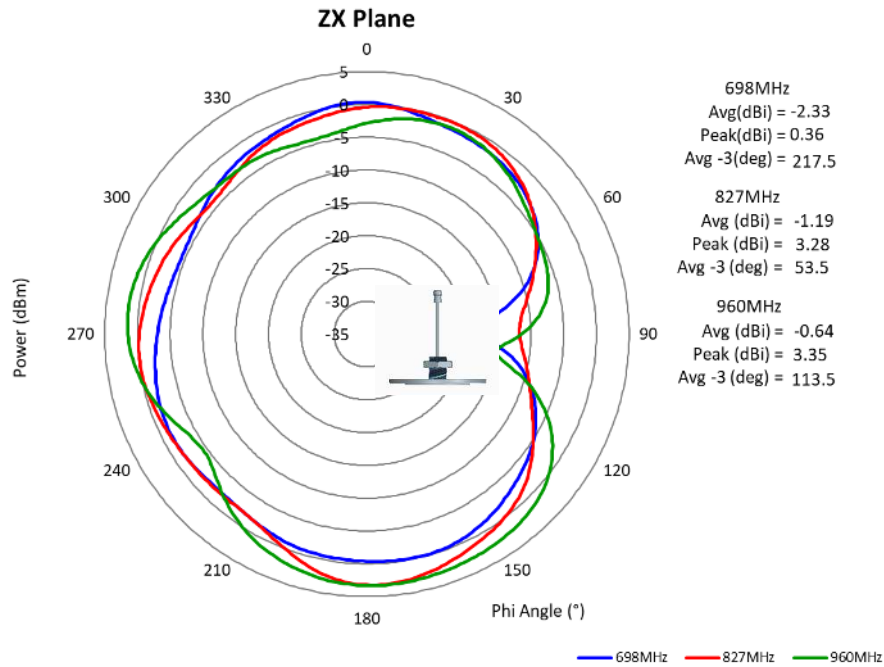
Description: 698-960MHz Ceiling Mount antenna

Series: P-Thinity

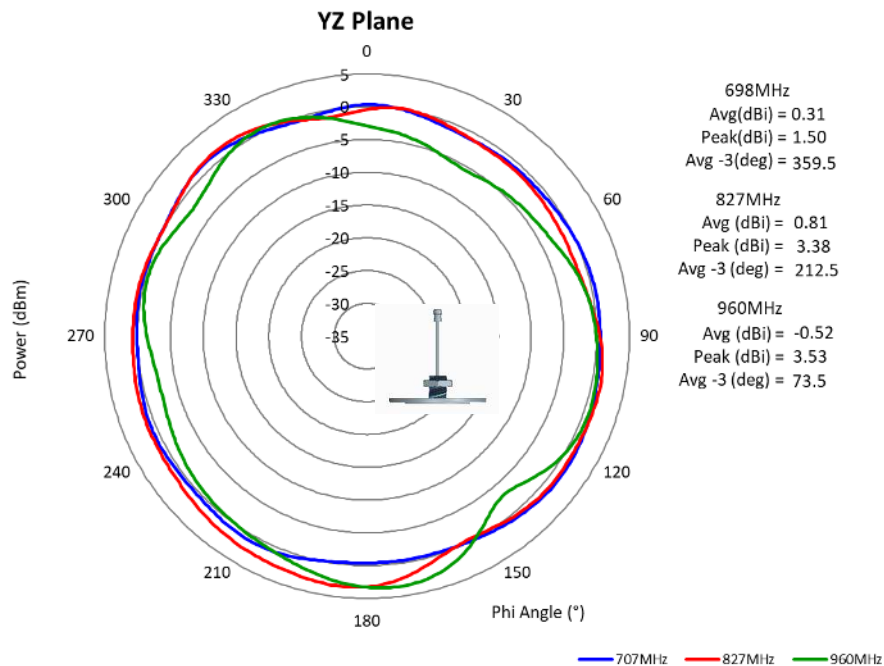
PART NUMBER: PSDASLPNF

CHARTS

Radiation pattern of ZX plane at low band



Radiation pattern of YZ plane at low band



Issue: 1923

In the effort to improve our products, we reserve the right to make changes judged to be necessary.

CONFIDENTIAL AND PROPRIETARY INFORMATION

This document contains confidential and proprietary information of Pulse Electronics, Inc. (Pulse) and is protected by copyright, trade secret and other state and federal laws. Its receipt or possession does not convey any rights to reproduce, disclose its contents, or to manufacture, use or sell anything it may describe. Reproduction, disclosure or use without specific written authorization of Pulse is strictly forbidden.

Description: 698-960MHz Ceiling Mount antenna

Series: P-Thinity

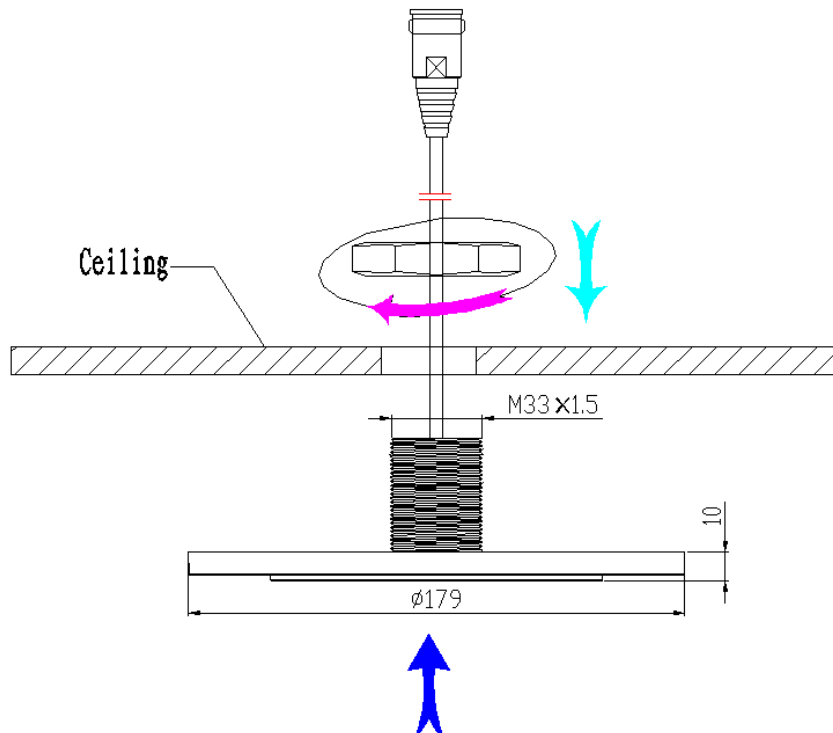
PART NUMBER: PSDASLPNF

PACKAGING

1pcs / Small Box

40pcs / Carton

ASSEMBLY



1. Drill a $\Phi 33 \sim \Phi 44$ hole on the ceiling.
2. Install the antenna as the following picture shows then tighten the bolts.
3. Connect the RF jumper to antenna connector.

Issue: 1923

In the effort to improve our products, we reserve the right to make changes judged to be necessary.

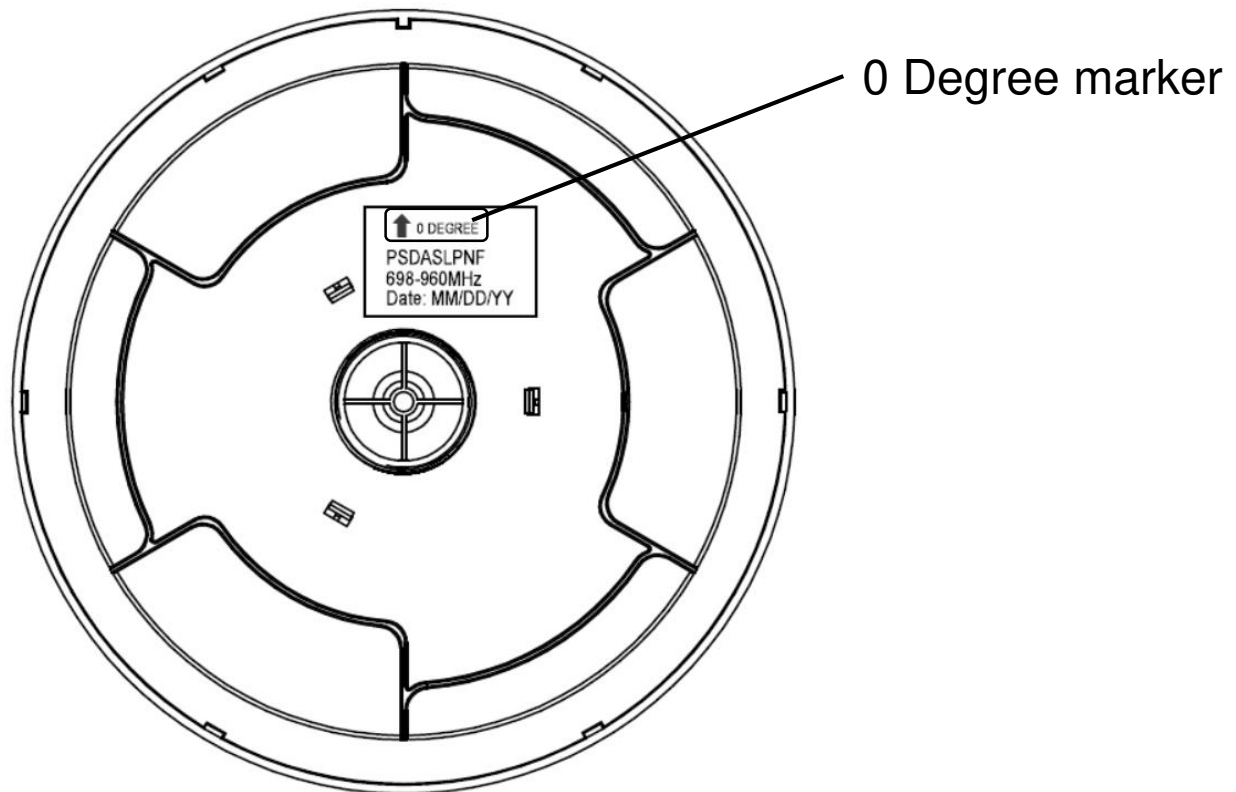
CONFIDENTIAL AND PROPRIETARY INFORMATION

This document contains confidential and proprietary information of Pulse Electronics, Inc. (Pulse) and is protected by copyright, trade secret and other state and federal laws. Its receipt or possession does not convey any rights to reproduce, disclose its contents, or to manufacture, use or sell anything it may describe. Reproduction, disclosure or use without specific written authorization of Pulse is strictly forbidden.

Description: 698-960MHz Ceiling Mount antenna

Series: P-Thinity

PART NUMBER: PSDASLPNF



ADDITIONAL NOTES:

Some customers may chose to take into consideration antenna propagation orientation during their planning process. The Horizontal rotation alignment mark ($\Phi=0$ deg), along with data from iBwave file will support this.

N Female: Maximum Torque 6.2-9.74 in-lbs (0.7-1.1Nm)