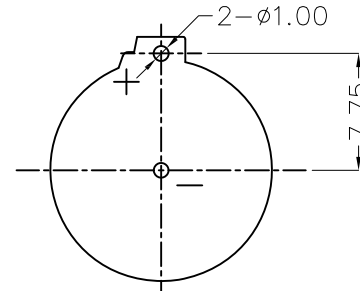
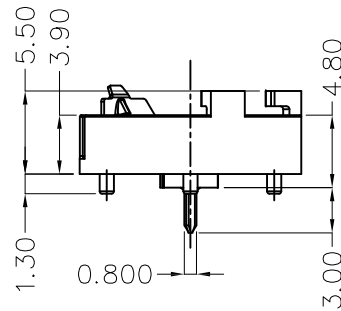
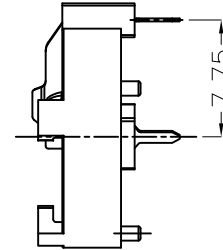
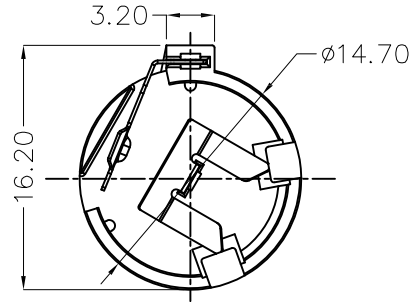
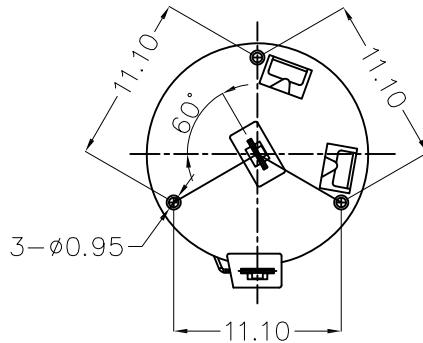


APPROVED: _____
 DATE: _____ TITLE: _____

Rev	AWO #	Description	Date	Appr
-		RELEASED	8/2/17	
A		UPDATE DRAWING	3/18/20	LH/MY



RECOMMENDED PCB LAYOUT



SPECIFICATIONS:

Material:
 Housing: PBT, rated UL94V-0, Color: Black
 Contact: Phosphor Bronze, Nickel plated
 Electrical:
 Contact resistance: 30 mohms max
 Insulation resistance: 1,000 Mohms min
 Dielectric Voltage: 500 VAC one sec level
 Temperature Rating:
 Operating temperature: -25°C to +85°C.
 Environmental:
 Lead free, RoHS compliant



UNLESS OTHERWISE SPECIFIED
 ALL DIMENSIONS ARE MILLIMETERS
 TOLERANCES: EXCEPT AS NOTED

MM	ANGLE
X ± 0.30	X ± 1°
X.X ± 0.25	X.X ± 0.5°
X.XX ± 0.20	
X.XXX ± 0.10	

ADAM TECH
INTERCONNECTS

909 Rahway Avenue,
 Union, NJ 07083
 Phone: 908-687-5000
 Fax: 908-687-5710

APPROVALS		DATE
DRAWN	AY	8/2/17
CHECKED	MY	8/2/17
APPROVED		

TITLE			BATTERY HOLDER, DIP TYPE, FOR CR1220		
			BLACK COLOR, REVERSE		
SIZE	PART NO.	REV.			
X	BH-98R-1	A			
REF:	S00136C	SCALE:	NTS	SHEET 1 OF 1	