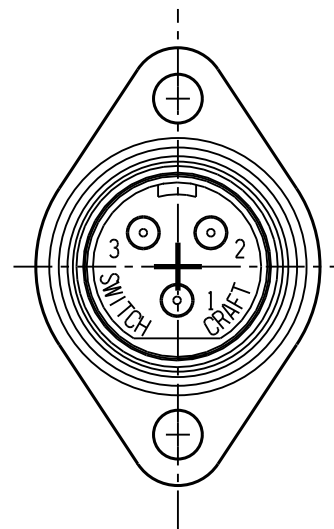
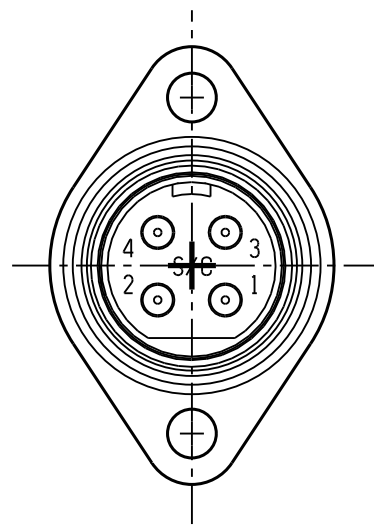


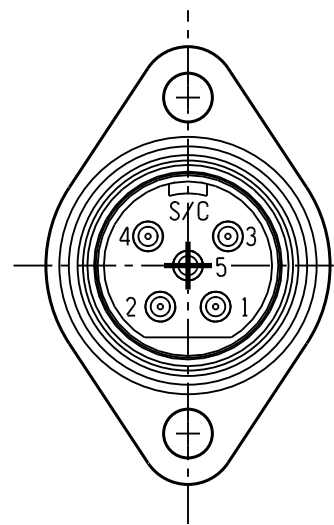
SL102M



SL103M

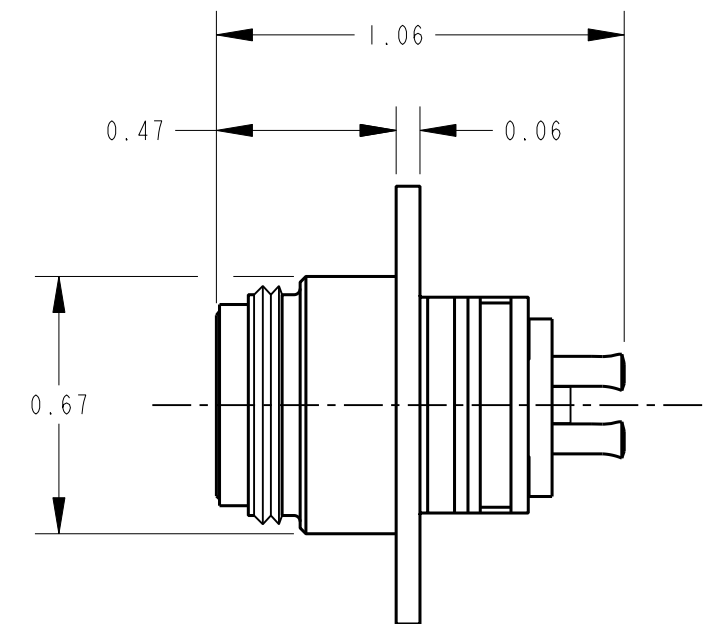
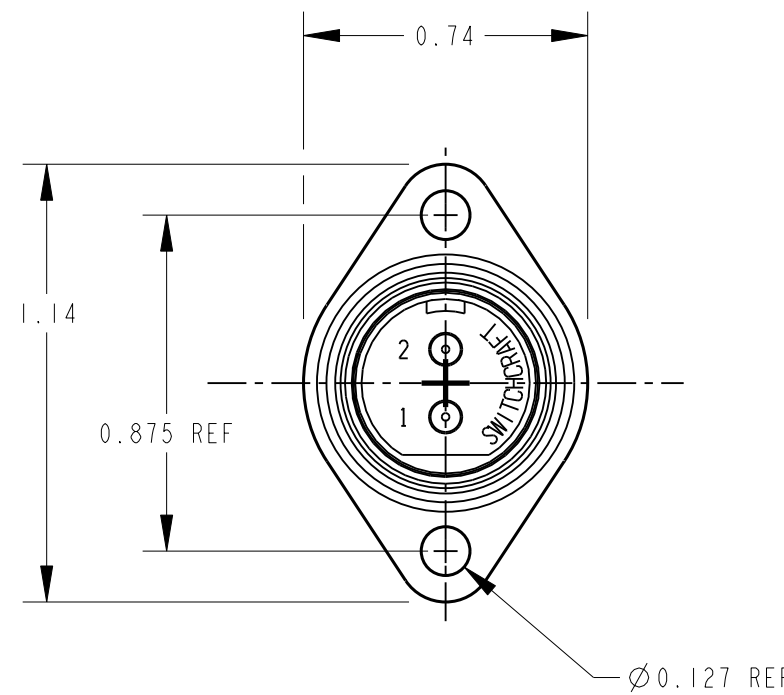
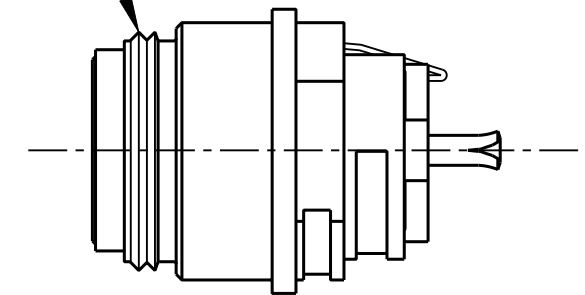


SL104M



SL105M

5/8-27 UNS-2A THREAD



CUSTOMER DRAWING

NOTES:

- HOUSING AND PIN ASSEMBLY SHIPPED UNASSEMBLED.
- MATERIALS:  
HOUSING - DIE CAST, NICKEL PLATED  
INSERT - GLASS REINFORCED THERMOPLASTIC, BLACK  
PINS - COPPER ALLOY, SILVER PLATED  
LATCH - STEEL, NICKEL PLATED
- THESE PRODUCTS ARE RoHS COMPLIANT.

| REV       | ECO NUMBER | DATE    | BY  | APVD |
|-----------|------------|---------|-----|------|
| F         | 21506      | 1-10-11 | TJK | TJK  |
| REVISIONS |            |         |     |      |

- ★ STAR SYMBOL DENOTES CRITICAL DIMENSION
- UNLESS OTHERWISE SPECIFIED
- 1. ALL DIMENSIONS IN INCHES  
- TWO PLACE DECIMALS ±0.01  
- THREE PLACE DECIMALS ±0.005  
- ANGLES ±1°  
- ALL DIA. CONCENTRIC WITHIN 0.005 T.I.R.
- 2. FEATURES ON THE SAME CENTERLINE MUST BE ALIGNED WITHIN ±0.002
- 3. REMOVE ALL BURRS

DO NOT SCALE DRAWING

|  |     |       |      |                                 |          |               |  |            |  |
|--|-----|-------|------|---------------------------------|----------|---------------|--|------------|--|
| THIS DRAWING DESCRIBES A DESIGN CONSIDERED PROPRIETARY IN NATURE, DEVELOPED AND MANUFACTURED BY SWITCHCRAFT INC. AND IS RELEASED ON A CONFIDENTIAL BASIS FOR IDENTIFICATION PURPOSES ONLY. |     |       |      |                                 |          |               |  |            |  |
| SIZE   |     | WIDTH |      | MULT                            |          | LBS/M         |  | TEMPER     |  |
| FINISH   |     |       |      |                                 | MATERIAL |               |  |            |  |
| SPEC No.   |     |       |      |                                 | SPEC No. |               |  |            |  |
| FIRST USED ON  |     |       |      | SCALE                           |          |               |  |            |  |
|  |     |       |      | DRAWING SCALE                   |          |               |  |            |  |
| DATE DRAWN   | BY  | CHKD  | APVD | <b>Switchcraft</b> <sup>®</sup> |          |               |  |            |  |
| 30-Nov-06  | TJK | TJK   | TJK  |                                 |          |               |  |            |  |
|  |     |       |      | 11-30-06                        |          | 2-3-10        |  | SHEET   OF |  |
| NAME   |     |       |      |                                 |          | PART No.      |  | REV        |  |
| SLIM-LINE MALE   |     |       |      |                                 |          | SL10_M SERIES |  | F          |  |
| FLANGE MOUNT CONNECTOR   |     |       |      |                                 |          |               |  |            |  |