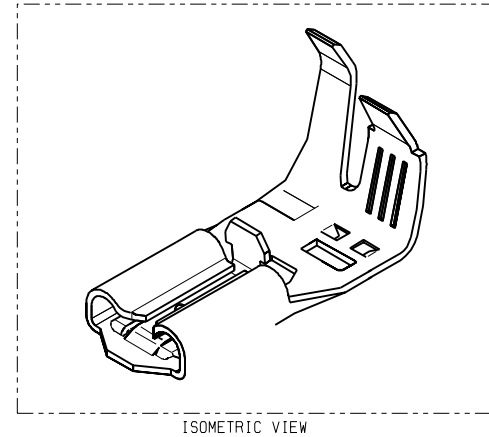
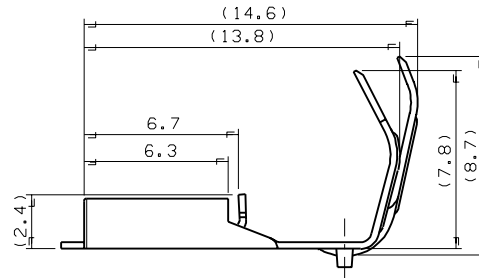
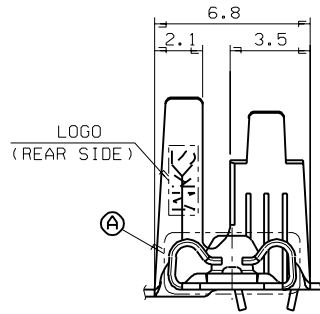


- NOTES
1. MATERIAL : BRASS, 0.3MM THICKNESS
 2. FINISH : PRE-PLATED TIN
 3. MATING TAB THICKNESS : 0.5MM
 4. MATED HOUSING : 35526-0-10



				MATERIAL		SEE NOTES		MOLEX-KOREA CO.,LTD.	
				GENERAL TOLERANCE		DIMENSION : +0.3		DRAWN BY J.S.KANG	
				ANGLE :				CHK'D BY	
				DIMENSION CLASSIFICATION		▼ : CRITICAL ▽ : MAJOR () : REFERENCE		APP'D BY	
A NEW RELEASED				KOR7	97	8.1			SCALE 5/1
LTR REVISION RECORD				ECN	DATE			TITLE :	
				ASS'Y PART				.187 MP-LOCK FLAG TM'L	
				DESCRIPTION		ENG. NO.		SHEET 1 OF 1	
REVISE ONLY ON CAD SYSTEM				---		---		REV A	
								ENG. NO. SD 35418-9002	