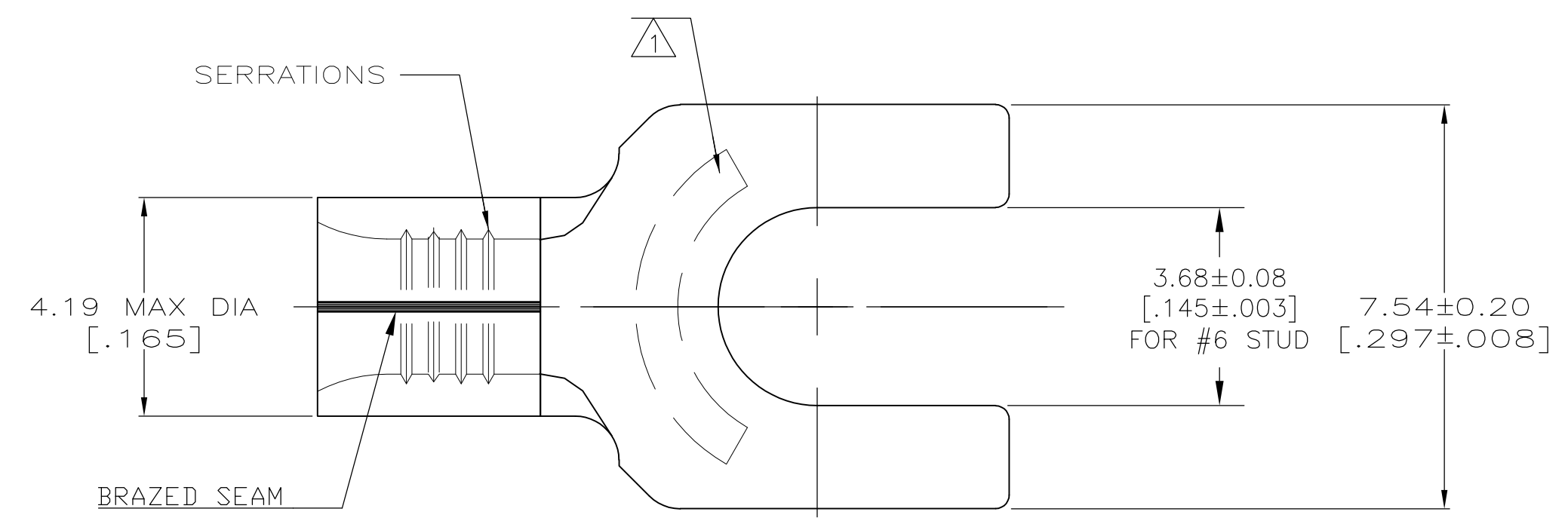


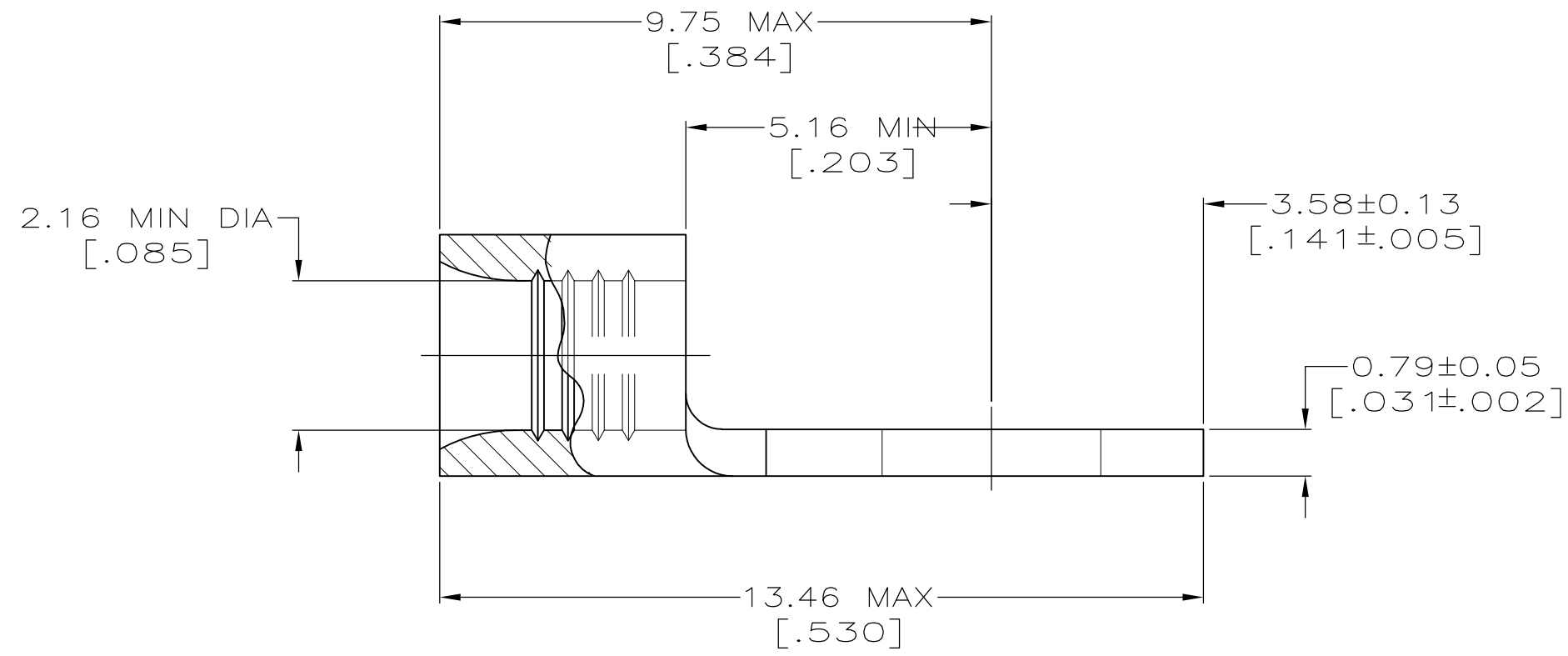
THIS DRAWING IS UNPUBLISHED. RELEASED FOR PUBLICATION
 © COPYRIGHT - By - ALL RIGHTS RESERVED.

| LOC | DIST | REVISIONS | | | |
|-----|------|-------------|---------------------------|---------|--------|
| P | LTR | DESCRIPTION | DATE | DWN | APVD |
| G | 14 | C2 | REVISED PER ECO-11-005027 | 11MAR11 | RK HMR |



| | | |
|--------------------------------|---------------------------------|--------------------------------|
| AMP WIRE RANGE | UL Listed FILE E13288 | SR LR7189 Certified |
| 16-14 AWG SOLID OR STRANDED | 16-14 AWG SOLID OR STRANDED | 16-14 AWG SOLID OR STRANDED |

- 1 STAMP AMP 16-14*, APPROX AS SHOWN
- 2 COPPER PER ASTM B-152, ANNEALED
- 3 0.00254 [.000100] MIN TIN PER ASTM B-545



| | | |
|------|------------------|-------------|
| 100 | LOOSE PIECE, BOX | 8-322996-1 |
| 5000 | ON TAPE | 2-322996-1 |
| -- | LOOSE PIECE | 322996 |
| QTY | PACKAGE TYPE | PART NUMBER |

| | | |
|--|--|---|
| CUSTOMER SERVICE SYSTEMS | | MAX RECOMMENDED OPERATING TEMPERATURE: 170°C MAX |
| FOR ADDITIONAL PRODUCT INFORMATION OR COPIES OF DRAWINGS AND TECHNICAL DOCUMENTS | PRODUCT INFORMATION CENTER 1-800-522-6752 | VOLTAGE RATING: N/A |
| FOR APPLICATION TOOLING INFORMATION | TOOLING ASSISTANCE CENTER 1-800-722-1111 | CIRCULAR MIL AREA: 1.04-2.62mm ² [2,050-5,180] SOLID OR STRANDED |
| FOR ORDER ENTRY | 1-800-526-5142 | |

THIS DRAWING IS A CONTROLLED DOCUMENT FOR AMP INCORPORATED. IT IS SUBJECT TO CHANGE AND THE CONTROLLING ENGINEERING ORGANIZATION SHOULD BE CONTACTED FOR THE LATEST REVISION.

| | |
|--|--|
| THIS DRAWING IS A CONTROLLED DOCUMENT. | |
| DIMENSIONS: mm[INCHES] | TOLERANCES UNLESS OTHERWISE SPECIFIED: |
| | 0 PLC ± - |
| | 1 PLC ± - |
| | 2 PLC ± 0.20 [.008] |
| | 3 PLC ± - |
| | 4 PLC ± - |
| ANGLES | ± - |
| MATERIAL | FINISH |
| - 2 | - 3 |

| | | |
|--------------------------------|--|--------------------|
| DWN TA BRINKMAN 1-28-93 | STE TE Connectivity | |
| CHK DA PATTERSON 1-28-93 | NAME TERMINAL, SPADE TONGUE, SOLISTRAND | |
| APVD JL MECKLEY 1-28-93 | SIZE A2 | CAGE CODE 00779 |
| PRODUCT SPEC | DRAWING NO G-322996 | RESTRICTED TO |
| APPLICATION SPEC | SCALE 10:1 | SHEET 1 OF 1 |
| WEIGHT | CUSTOMER DRAWING | REV C2 |