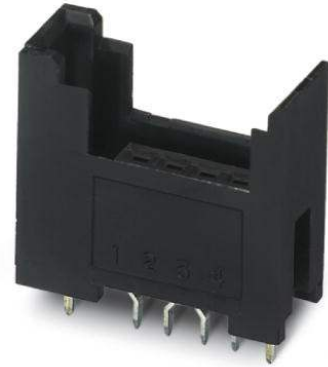


CIOC 4-1-FV-A


Order No.: 1701388



<http://eshop.phoenixcontact.de/phoenix/treeViewClick.do?UID=1701388>

Header, Nominal current: 3 A, Number of positions: 4, Pitch: 2 mm,
Color: black, Metal surface: Au, Assembly: Soldering

Commercial data

GTIN (EAN)	 4 046356 030496
sales group	E194
Pack	100 pcs.
Customs tariff	85366990
Catalog page information	Page 177 (NTK-2010)

Product notes

WEEE/RoHS-compliant since:
02/25/2005



<http://www.download.phoenixcontact.com>
Please note that the data given here has been taken from the online catalog. For comprehensive information and data, please refer to the user documentation. The General Terms and Conditions of Use apply to Internet downloads.

Technical data

Dimensions / positions

Pitch	2 mm
Dimension a	6 mm
Number of positions	4
Pin spacing	2.00 mm

Technical data

Range of articles	CIOC-FV
Connection in acc. with standard	EN-VDE
Nominal current I_N	3 A
Nominal voltage U_N	32 V
Maximum load current	3 A
Insulating material	PA
Inflammability class acc. to UL 94	V0

Certificates / Approvals

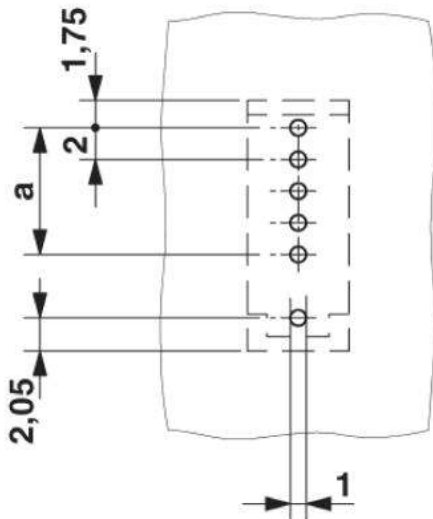


Certification

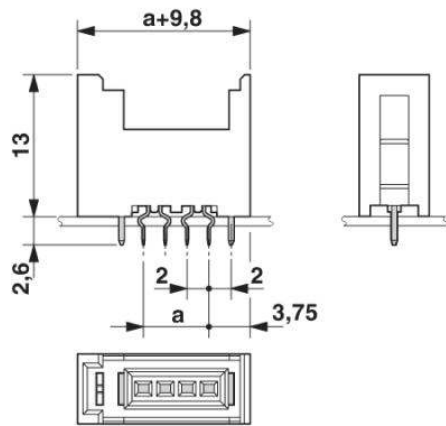
CUL, UL

Diagrams/Drawings

Drilling plan/solder pad geometry



Dimensioned drawing



Address

PHOENIX CONTACT Deutschland GmbH
Flachmarktstr. 8
32825 Blomberg, Germany
Phone +49 5235 3 12000
Fax +49 5235 3 41200
<http://www.phoenixcontact.de>



© 2010 Phoenix Contact
Technical modifications reserved;